



## Excellent Integrated System Limited

Stocking Distributor

Click to view price, real time Inventory, Delivery & Lifecycle Information:

[Essentra Components \(formerly Richco, Inc.\)](#)  
[RCOFM-120](#)

For any questions, you can email us directly:

[sales@integrated-circuit.com](mailto:sales@integrated-circuit.com)

PART NUMBER	"A" ±.03 [0.8]	"B" ±.03 [0.8]	"C" REF.	"D" ±.03 [0.8]	"E" REF.	"F" ±.03 [0.8]	"G" REF.	"H" REF.	"Z"	FIG. NO.
RCOFM-25	.94 [24]	---	.41 [10.5]	.09 [2.2]	---	---	.055 [1.4]	.055 [1.4]	2	1
RCOFM-40	1.15 [29.1]	1.26 [32.0]	.56 [14.2]	.19 [4.8]	.16 [4.0]	.16 [4.0]	.06 [1.6]	.06 [1.6]	2	2
RCOFM-50	1.65 [42.0]	1.62 [41.1]		.19 [4.8]	.15 [3.7]	.18 [4.6]			3	
RCOFM-60	2.09 [53.2]	1.97 [50.0]		.17 [4.4]	.12 [3.0]	.18 [4.6]			4	
RCOFM-80	3.00 [76.2]	2.81 [71.5]		.19 [4.9]	.14 [3.5]	.20 [5.2]	.07 [1.8]	5		
RCOFM-92	3.54 [90.0]	3.25 [82.5]		.17 [4.2]	.17 [4.2]	.18 [4.6]	.06 [1.6]	.07 [1.8]	6	
RCOFM-120	4.55 [115.6]	4.16 [104.8]		.35 [9.0]	.22 [5.5]	.10 [2.6]	.18 [4.6]	.07 [1.8]	8	

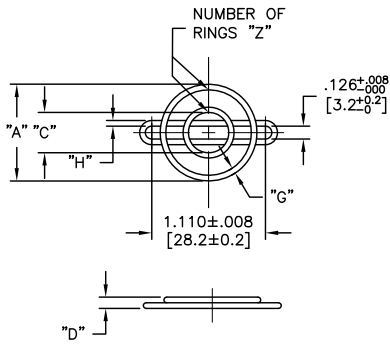


FIG. 1.

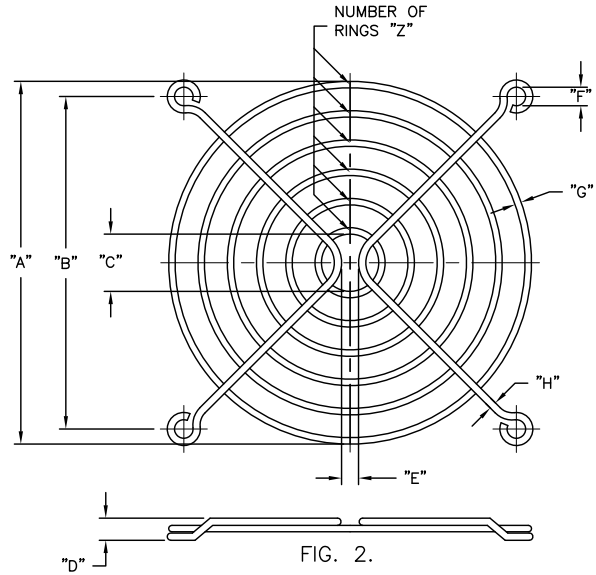


FIG. 2.

NOTES

- MATERIAL: STEEL WIRE ELECTROPLATED (RMS-261).
- PLATING: NICKEL CHROME (RMS-229)

TITLE: METAL FAN GUARD			DWG IN IN [MM]		FINAL	
E	SEE CO 200247 FOR CHANGES	SK 09.23.08	TOLERANCES UNLESS NOTED	FILE # RCOFM	DWN: R.D.G.	DT: 11/11/04
D	SEE ECN # 1266 FOR CHANGES	SK 12.14.06	.XX=±.010	MAT'L: SEE NOTES	CHKD: SK	ENGR: RDG
C	SEE ECN # 1159 FOR CHANGES	SJ 05.02.06	.XXX=±.005	RE: RICHCO, INC.	RICHCO INC. PO BOX 804238, CHICAGO, 60680 (773) 539-4060	
B	SEE ECN # 1054 FOR CHANGES	SK 09.09.05	FRAC=±1/64	PART # SEE TABLE		
A	RELEASED FOR PRODUCTION	SK 03.17.05	ANG=±1°	PRINT TYPE CA		
REV	DESCRIPTION	ENGR DATE				