



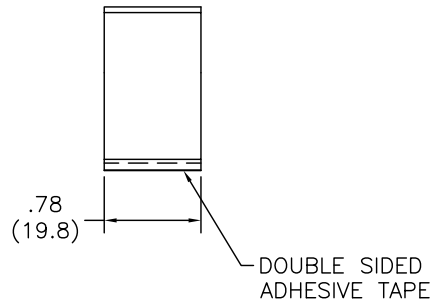
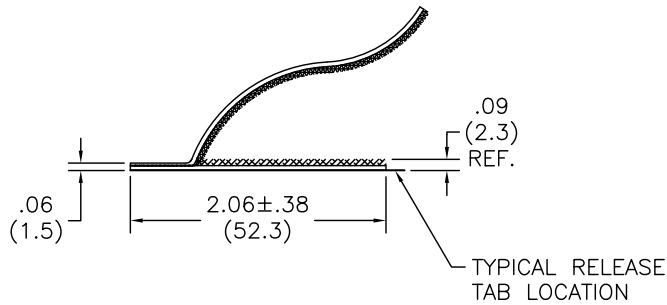
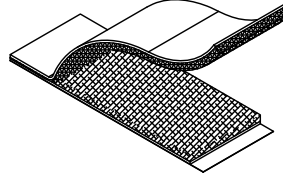
Excellent Integrated System Limited

Stocking Distributor

Click to view price, real time Inventory, Delivery & Lifecycle Information:

[Essentra Components \(formerly Richco, Inc.\)](#)
[RKWFA-16-300](#)

For any questions, you can email us directly:
sales@integrated-circuit.com



NOTES:

1. HOOK MATERIAL: LOW DENSITY POLYETHYLENE (RMS-249)
2. LOOP MATERIAL: NYLON KNIT (RMS-251)
3. COLOR: BLACK
4. LENGTH OF STRAP: 2.50
5. MAXIMUM RECOMMENDED HOLDING DIAMETER: .750
6. ACRYLIC ADHESIVE TAPE (RMS-113).

TITLE: RICHCO KWIK WRAP-ADHESIVE FLAT WIRING		DWG IN IN(MM)		FINAL		
D	ADDED TOL ±.38 TO 2.06 DIM. SEE CO 200626	SK 02.16.11	TOLERANCES UNLESS NOTED	FILE # RKWFA-16-300	DWN: S.M.	APP:
C	SEE CO 200067	SK 11.20.07	.XX=±.020	MAT'L: SEE NOTES	DT: 05/22/01	DT:
B	REMOVED "SEE NOTE 3" & CORRECTED TYPO	SM 12.10.01	.XXX=±.015	RE: RICHCO, INC.	RICHCO INC.	
A	ADDED NOTE 5, PN WAS RKWFA, NEW DWG LAYOUT	RG06/14/01	FRAC=±1/32		PO BOX 804238, CHICAGO, 60680	
REV	DESCRIPTION	ENGR DATE	ANG=±1'		(773) 539-4060	
				PART #	PRINT TYPE	
				RKWFA-16-300	CA	