



Excellent Integrated System Limited

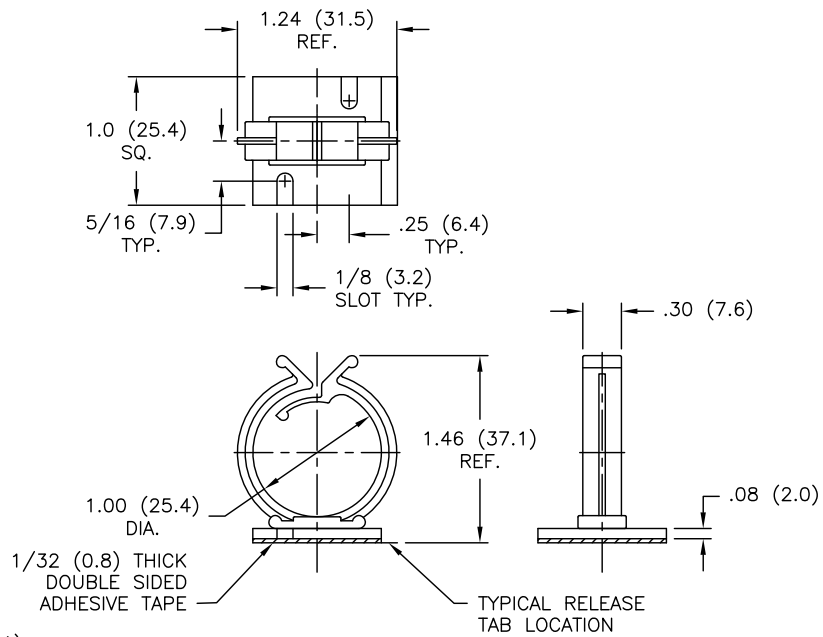
Stocking Distributor

Click to view price, real time Inventory, Delivery & Lifecycle Information:

[Essentra Components \(formerly Richco, Inc.\)](#)
[RWSB-16-01](#)

For any questions, you can email us directly:
sales@integrated-circuit.com

PART NUMBER	
W/O TAPE	RWSB-16-01
W/ACRYLIC TAPE	RWSB-16-01A-RT



NOTES:

1. MATERIAL: NYLON 6/6 (RMS-01).
COLOR: NATURAL.
2. FLAME RETARDANT NYLON (RMS-19).
COLOR: NATURAL. BY SPECIAL ORDER.
3. DOUBLE-SIDED ADHESIVE
ACRYLIC TAPE (RMS-15).

A	SEE C0200299 FOR CHANGES	SK 01.05.09
REV	DESCRIPTION	ENGR DATE

TITLE: ROUND WIRE SADDLE ON BASE, 1.0" DIA.				DWG IN IN (MM)	FINAL
TOLERANCES UNLESS NOTED .XX=±.010 .XXX=±.005 FRAC=±1/64 ANG=±1°	FILE # RWSB16	DWN: S.M.	APP:	PART #	
	MAT'L: SEE NOTES	DT: 08/17/01	DT:	SEE TABLE	
	RE: RICHCO, INC.	RICHCO INC. PO BOX 804238, CHICAGO, 60680 (773) 539-4060		PRINT TYPE CA	