

Excellent Integrated System Limited

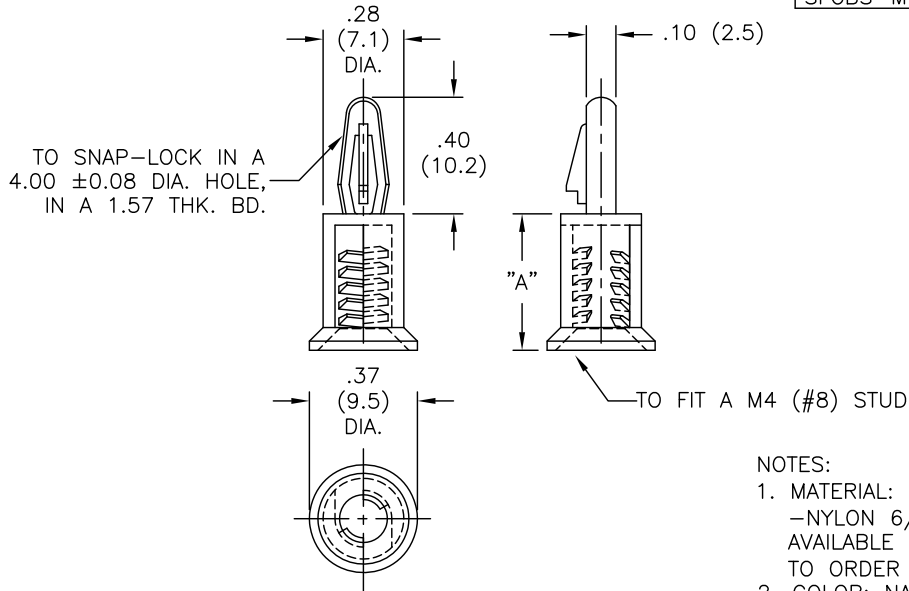
Stocking Distributor

Click to view price, real time Inventory, Delivery & Lifecycle Information:

[Essentra Components \(formerly Richco, Inc.\)](#)
[SFCBS-M4-10M-01](#)

For any questions, you can email us directly:
sales@integrated-circuit.com

PART NO.	DIM "A" ±.015(0.4)	STUD LENGTH
SFCBS-M4-10M-01	.39 (10)	.31 (8)
SFCBS-M4-12M-01	.47 (12)	.39 (10)
SFCBS-M4-14M-01	.55 (14)	.47 (12)
SFCBS-M4-16M-01	.63 (16)	.55 (14)
SFCBS-M4-18M-01	.71 (18)	.63 (16)
SFCBS-M4-20M-01	.79 (20)	.71 (18)



TITLE: STUD-FITTING CIRCUIT BOARD SUPPORT		DWG IN IN (MM)		FINAL	
TOLERANCES UNLESS NOTED .XX=±.010 .XXX=±.005 FRAC=±1/64 ANG=±1°	FILE # SFCBS MAT'L: SEE NOTES	DWN: J.B. DT: 05-31-96	APP:	PART #	PRINT TYPE
RE: RICHCO, INC.	RICHCO INC. PO BOX 804238, CHICAGO, 60680 (773) 539-4060		SEE TABLE		CA

REV	DESCRIPTION	ENGR	DATE
C	SEE CO 200407 FOR CHANGES	SK	08.04.09
B	SEE CO 200404 FOR CHANGES	SK	07.31.09
A	CHANGED FILE NO. AND TITLE BLOCK	SM	05.10.01