

Excellent Integrated System Limited

Stocking Distributor

Click to view price, real time Inventory, Delivery & Lifecycle Information:

[Texas Instruments](#)
[TLV990BPFB](#)

For any questions, you can email us directly:

sales@integrated-circuit.com

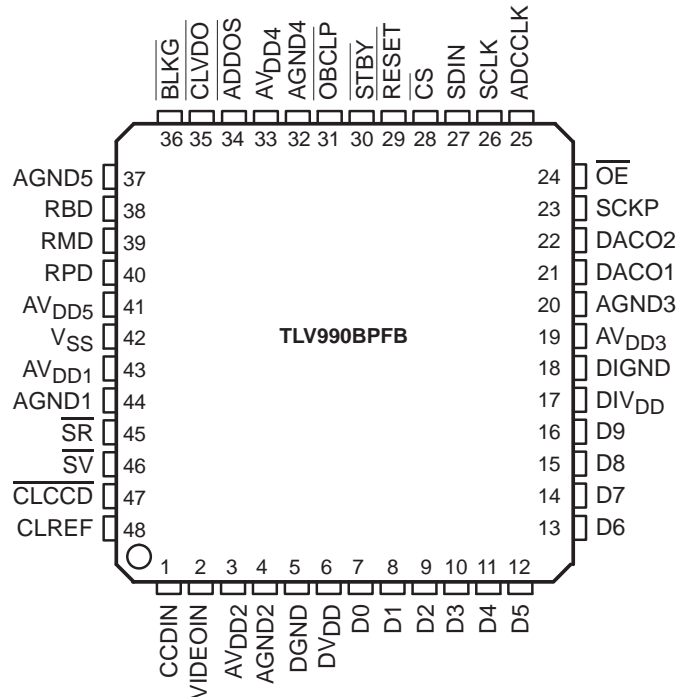
features

- Single-Chip CCD and Video Signal Processor
- 10-Bit, 28-MSPS, A/D-Converter Single 3-V Supply Operation
- Very Low Power: 150 mW Typical, 2-mW Power-Down Mode
- Differential Nonlinearity Error: $< \pm 0.5$ LSB Typical
- Integral Nonlinearity Error: $< \pm 0.9$ LSB Typical
- Programmable Gain Amplifier (PGA) With 0-dB to 36-dB Gain Range (0.045 dB/Step)
- Automatic or Programmable Optical Black Level and Offset Calibration With Digital Filter and Bad Pixel Limits
- Additional DACs for External Analog Setting
- Serial Interface for Register Configuration
- Internal-Reference Voltages
- 48-Pin TQFP Package

application

- Video Camcorder

PFB PACKAGE
(TOP VIEW)



description

The TLV990B is a complete CCD and video signal processor/digitizer designed for video camcorder applications. The TLV990B performs all the analog-processing functions necessary to maximize the dynamic range, corrects various errors associated with the CCD sensor, and then digitizes the results with an on-chip high-speed analog-to-digital converter (ADC).

The key components of the TLV990B include: an input clamp circuit for CCD and analog video signals, a correlated double sampler (CDS), a programmable-gain amplifier (PGA) with 0 to 36-dB gain range, two internal digital-to-analog converters (DAC) for automatic or programmable optical black level and offset calibration, a 10-bit, 28-MSPS pipeline ADC, a parallel data port for easy microprocessor interface, a serial port for configuring internal control registers, two additional DACs for external system control, and internal reference voltages.

Designed in advanced CMOS process, the TLV990B operates from a single 3-V power supply with a normal power consumption of 150 mW at 28 MSPS, and 2 mW in power-down mode.

Its very high throughput rate, single 3-V operation, very low-power consumption, and fully-integrated analog processing circuitry make the TLV990B an ideal CCD and video signal-processing solution for electronic video-camcorder applications.

This device is available in a 48-pin TQFP package and is specified over a -20°C to 75°C operating-temperature range.



Please be aware that an important notice concerning availability, standard warranty, and use in critical applications of Texas Instruments semiconductor products and disclaimers thereto appears at the end of this data sheet.

PRODUCTION DATA information is current as of publication date. Products conform to specifications per the terms of Texas Instruments standard warranty. Production processing does not necessarily include testing of all parameters.

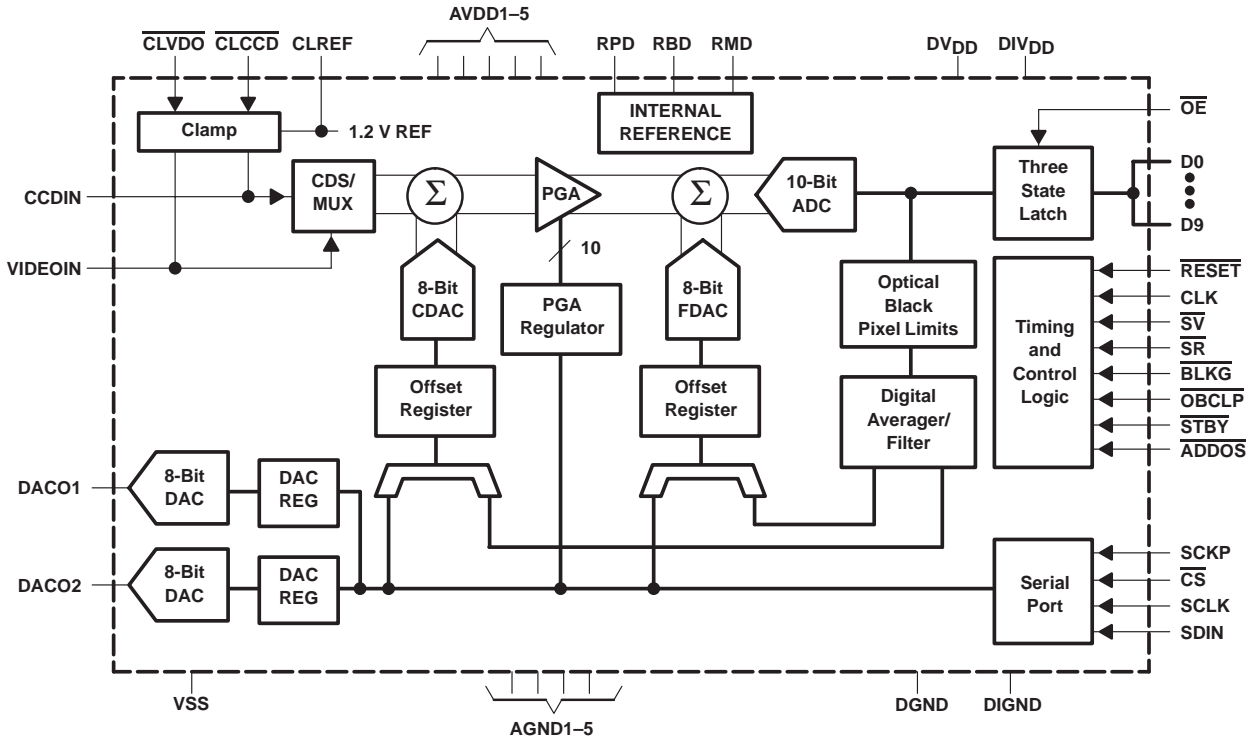
TLV990B
3-V, 10-BIT, 28-MSPS AREA CCD AND VIDEO SIGNAL PROCESSOR

SLAS327-FEBRUARY 2001

AVAILABLE OPTIONS

T _A	PACKAGE DEVICE
	-20°C to 75°C

functional block diagram



3-V, 10-BIT, 28-MSPS AREA CCD AND VIDEO SIGNAL PROCESSOR

SLAS327– FEBRUARY 2001

Terminal Functions

TERMINAL NAME	NO.	I/O	DESCRIPTION
ADCCLK	25	I	ADC clock input
ADDOS	34	I	A dc offset is added to video input signal when the ADDOS is pulled low.
AGND1	44		Analog ground for internal CDS circuits
AGND2	4		Analog ground for internal PGA circuits
AGND3	20		Analog ground for internal DAC circuits
AGND4	32		Analog ground for internal ADC circuits
AGND5	37		Analog ground for internal REF circuits
AVDD1	43		Analog supply voltage for internal CDS circuits, 3 V
AVDD2	3		Analog supply voltage for internal PGA circuits, 3 V
AVDD3	19		Analog supply voltage for internal DAC circuits, 3 V
AVDD4	33		Analog supply voltage for internal ADC circuits, 3 V
AVDD5	41		Analog supply voltage for internal ADC circuits, 3 V
BLKG	36	I	Control input. The CDS operation is disabled when the BLKG is pulled low.
CLCCD	47	I	CCD signal clamp control input
CCDIN	1	I	CCD input
CLREF	48	O	Clamp reference voltage output
CLVDO	35	I	Video-signal clamp-control input. Only used in manual clamping mode. Active low.
CS	28	I	Chip select. A logic low on this input enables the serial port.
D0 – D9	7–16	O	10-bit 3-state ADC output data or offset DACs test data
DACO1	21	O	Digital-to-analog converter output1
DACO2	22	O	Digital-to-analog converter output2
DGND	5		Digital ground
DIGND	18		Digital interface circuit ground
DIVDD	17		Digital interface circuit supply voltage, 1.8 V– 4.4 V
DVDD	6		Digital supply voltage, 3 V
OBCLP	31	I	Optical black level and offset calibration control input. Active low.
OE	24	I	Output data enable. Active low.
RBD	38	O	Internal bandgap reference for external decoupling
RESET	29	I	Hardware-reset input, active low. This signal forces a reset of all internal registers
RMD	39	O	Ref– output for external decoupling
RPD	40	O	Ref+ output for external decoupling
SDIN	27	I	Serial data input to configure the internal registers
SCKP	23	I	Selects the polarity of SCLK. 0 – active low (high when SCLK is not running), 1 – active high (low when SCLK is not running)
SCLK	26	I	Serial clock input. This clock synchronizes the serial data transfer.
SR	45	I	CCD reference level sample clock input
STBY	30	I	Hardware power-down control input, active low
SV	46	I	CCD signal level sample clock input
VIDEOIN	2	I	Analog video signal input
VSS	42		Silicon substrate, normally connected to analog ground

TLV990B

3-V, 10-BIT, 28-MSPS AREA CCD AND VIDEO SIGNAL PROCESSOR

SLAS327–FEBRUARY 2001

absolute maximum ratings over operating free-air temperature (unless otherwise noted)†

Supply voltage, AV _{DD} , DV _{DD} , DIV _{DD}	–0.3 V to 6.5 V
Analog input voltage range	–0.3 V to AV _{DD} +0.3 V
Digital input voltage range	–0.3 V to DV _{DD} +0.3 V
Operating virtual junction temperature range, T _J	–40°C to 150°C
Operating free-air temperature range, T _A	–20°C to 75°C
Storage temperature range, T _{stg}	–65°C to 150°C
Lead temperature 1,6 mm (1/16 inch) from case for 10 seconds	260°C

† Stresses beyond those listed under “absolute maximum ratings” may cause permanent damage to the device. These are stress ratings only, and functional operation of the device at these or any other conditions beyond those indicated under “recommended operating conditions” is not implied. Exposure to absolute-maximum-rated conditions for extended periods may affect device reliability.

recommended operating conditions

power supplies

		MIN	NOM	MAX	UNIT
Analog supply voltage	AV _{DD}	2.7	3	3.3	V
Digital supply voltage	DV _{DD}	2.7	3	3.3	V
Digital interface supply voltage	DIV _{DD}	1.8		4.4	V

digital inputs, DIV_{DD} = 3 V, DV_{DD} = 3 V

	MIN	NOM	MAX	UNIT
High-level input voltage, V _{IH}	0.8DIV _{DD}			V
Low-level input voltage, V _{IL}	0.2DIV _{DD}			V
Input ADCCLK frequency	28			MHz
ADCCLK pulse duration, clock high, t _w (MCLKH)	17.8			ns
ADCCLK pulse duration, clock low, t _w (MCLKL)	17.8			ns
Input SCLK frequency	40			MHz
SCLK pulse duration, clock high, t _w (SCLKH)	12.5			ns
SCLK pulse duration, clock low, t _w (SCLKL)	12.5			ns

3-V, 10-BIT, 28-MSPS AREA CCD AND VIDEO SIGNAL PROCESSOR

SLAS327– FEBRUARY 2001

electrical characteristics over recommended operating free-air temperature range, $T_A = 25^\circ\text{C}$, $AV_{DD}=DV_{DD}=3\text{ V}$, $ADCCLK=28\text{ MHz}$ (unless otherwise noted)

total device

PARAMETER		TEST CONDITIONS	MIN	TYP	MAX	UNIT
AV _{DD} operating current				43		mA
DV _{DD} operating current				7		mA
Device power consumption				150		mW
Power consumption in power-down mode				2		mW
INL	Full CCD channel integral nonlinearity	AV _{DD} =DV _{DD} = 2.7 V – 3.3 V, ADCCLK=18 MSPS, 10 bits Using best fit method		±0.9	±2	LSB
DNL	Full CCD channel differential nonlinearity	AV _{DD} =DV _{DD} = 2.7 V – 3.3 V, ADCCLK=18 MSPS, 10 bits		±0.5	±0.99	LSB
INL	Video channel integral nonlinearity	AV _{DD} =DV _{DD} = 2.7 V – 3.3 V, ADCCLK=28 MSPS, 9 bits Using best fit method		±0.5	±2	LSB
DNL	Video channel differential nonlinearity	AV _{DD} =DV _{DD} = 2.7 V – 3.3 V, ADCCLK=28 MSPS, 9 bits		±0.4	±0.99	LSB
No missing code			Assured			
Full channel output latency				6		CLK cycles

analog-to-digital converter (ADC)

PARAMETER		TEST CONDITIONS	MIN	TYP	MAX	UNIT
ADC resolution in CCD mode		ADCCLK=18MSPS		10		Bits
Full scale input span				2		V _{P-P}
Conversion rate					28	MHz

correlated double sample (CDS) and programmable gain amplifier (PGA)

PARAMETER		TEST CONDITIONS	MIN	TYP	MAX	UNIT
CDS and PGA sample rate					28	MHz
CDS full-scale input span		Single-ended input			1	V
Input capacitance of CDS				4		pF
Minimum PGA gain				0	1	dB
Maximum PGA gain			35	36	37	dB
PGA gain resolution				0.045		dB
PGA programming code resolution				10		Bits

internal digital-to-analog converters (DAC) for offset correction

PARAMETER		TEST CONDITIONS	MIN	TYP	MAX	UNIT
DAC resolution				8		Bits
INL	Integral nonlinearity			±0.5		LSB
DNL	Differential nonlinearity			±0.5		LSB
Output settling time		To 1% accuracy		80		ns

TLV990B
3-V, 10-BIT, 28-MSPS AREA CCD AND VIDEO SIGNAL PROCESSOR

SLAS327–FEBRUARY 2001

electrical characteristics over recommended operating free-air temperature range, $T_A = 25^\circ\text{C}$, $A_{V_{DD}}=D_{V_{DD}}=3\text{ V}$, $ADC_{CLK}=28\text{ MHz}$ (unless otherwise noted)
user digital-to-analog converters (DAC)

PARAMETER	TEST CONDITIONS	MIN	TYP	MAX	UNIT
DAC resolution			8		Bits
INL Integral nonlinearity			± 0.75		LSB
DNL Differential nonlinearity			± 0.5		LSB
Output voltage range	Assured by design	0		V_{DD}	V
Output settling time	10 pF external load, settle to 1 mV		4		μs

reference voltages

PARAMETER	TEST CONDITIONS	MIN	TYP	MAX	UNIT
Internal bandgap voltage reference		1.43	1.50	1.58	V
Temperature coefficient			100		ppm/ $^\circ\text{C}$
ADC Ref+	Externally decoupled		2		V
ADC Ref–			1		V

digital specifications

PARAMETER	TEST CONDITIONS	MIN	TYP	MAX	UNIT
Logic inputs					
I_{IH} High-level input current	$DIV_{DD} = 3\text{ V}$	–10		10	μA
I_{IL} Low-level input current		–10		10	
C_i Input capacitance			5		pF
Logic outputs					
V_{OH} High-level output voltage	$I_{OH} = 50\ \mu\text{A}$, $DIV_{DD} = 3\text{ V}$	$DIV_{DD}-0.4$			V
V_{OL} Low-level output voltage	$I_{OL} = 50\ \mu\text{A}$, $DIV_{DD} = 3\text{ V}$	0.4			V
I_{OZ} High-impedance-state output current			± 10		μA
C_o Output capacitance			5		pF

key timing requirements

PARAMETER	TEST CONDITIONS	MIN	TYP	MAX	UNIT
t_{SRW} SR pulse width	Measured at 50% of pulse height	10			ns
t_{SVW} SV pulse width		10			ns
t_{OD} ADCCLK-to-output data delay			6		ns
t_{CSF} CS falling edge to SCLK rising edge		0			ns
t_{CSR} SCLK falling edge to CS rising edge		5			ns

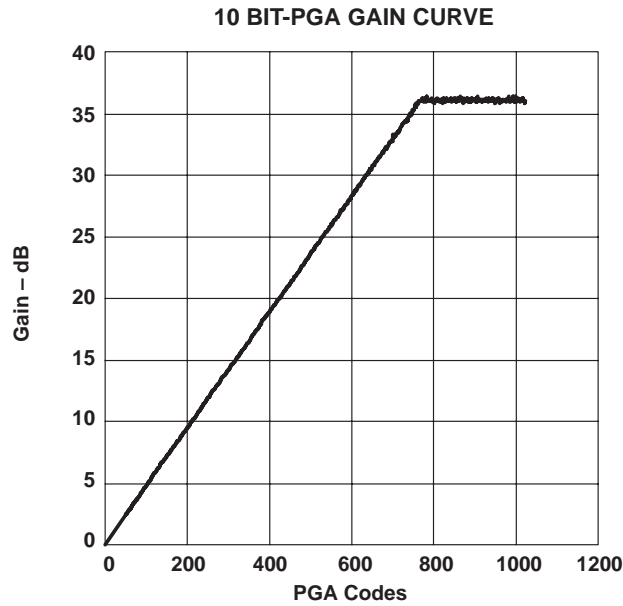


Figure 1

TYPICAL CHARACTERISTICS

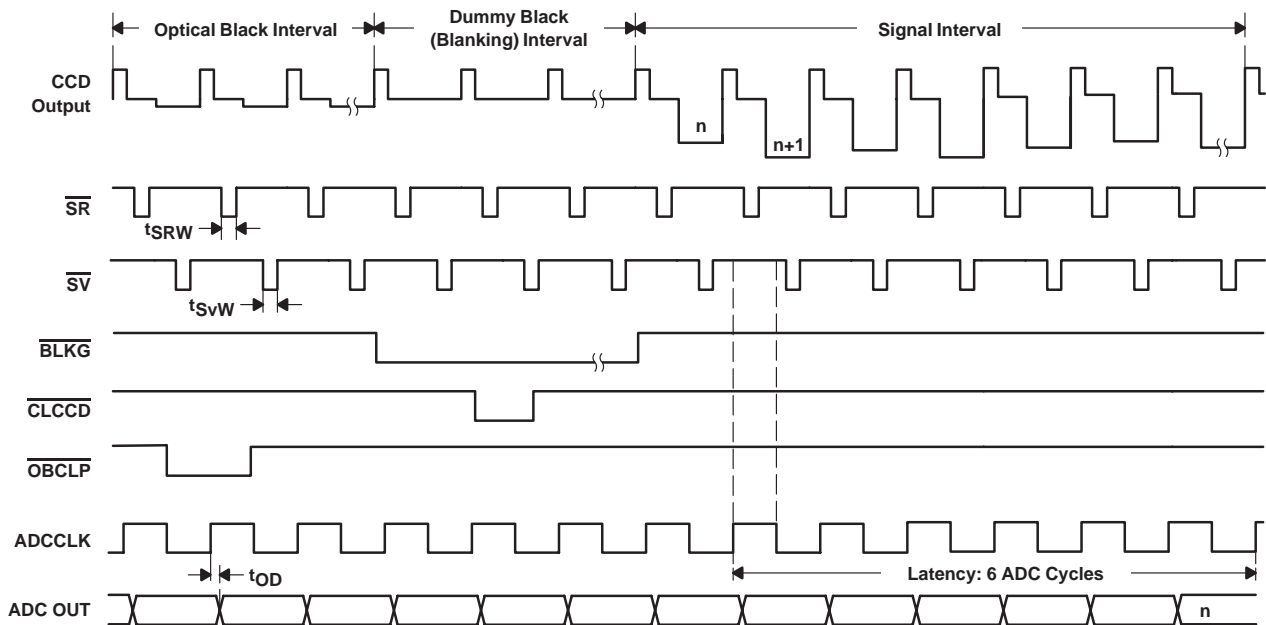


Figure 2. System Operation Timing Diagram

TLV990B
3-V, 10-BIT, 28-MSPS AREA CCD AND VIDEO SIGNAL PROCESSOR

SLAS327-FEBRUARY 2001

TYPICAL CHARACTERISTICS

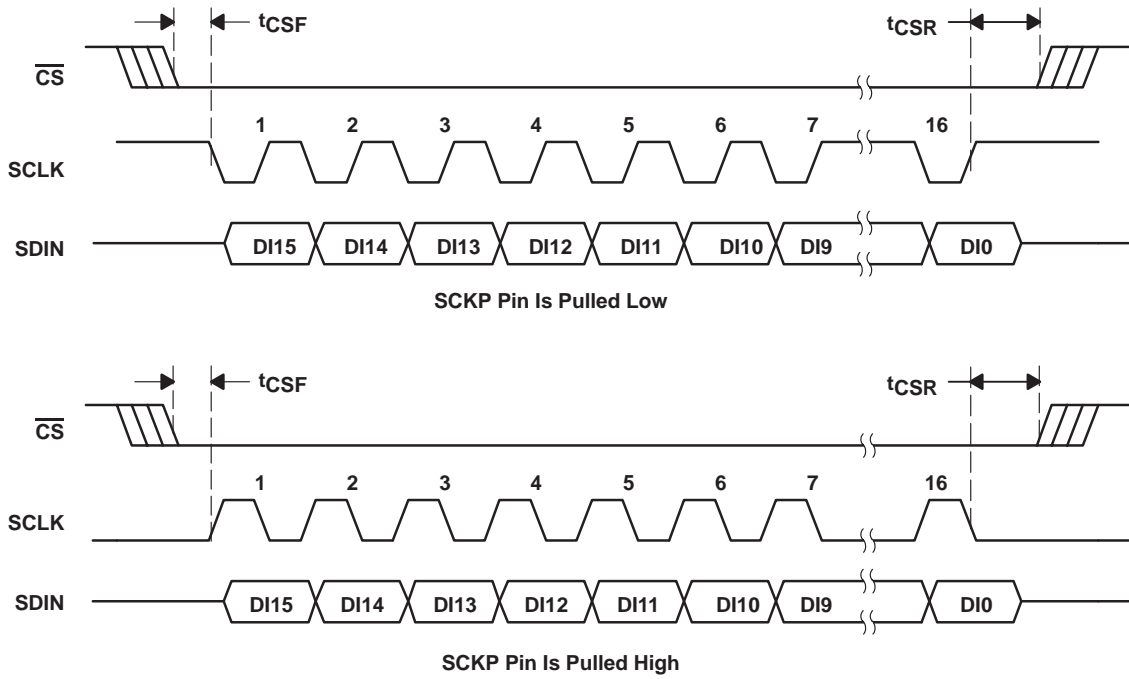
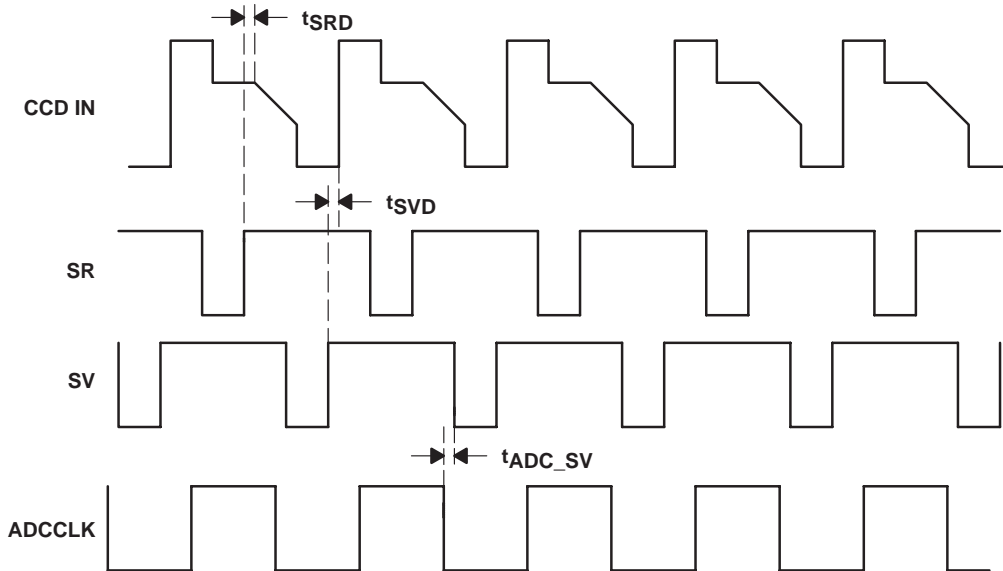


Figure 3. Serial Interface Timing Diagram

TYPICAL CHARACTERISTICS



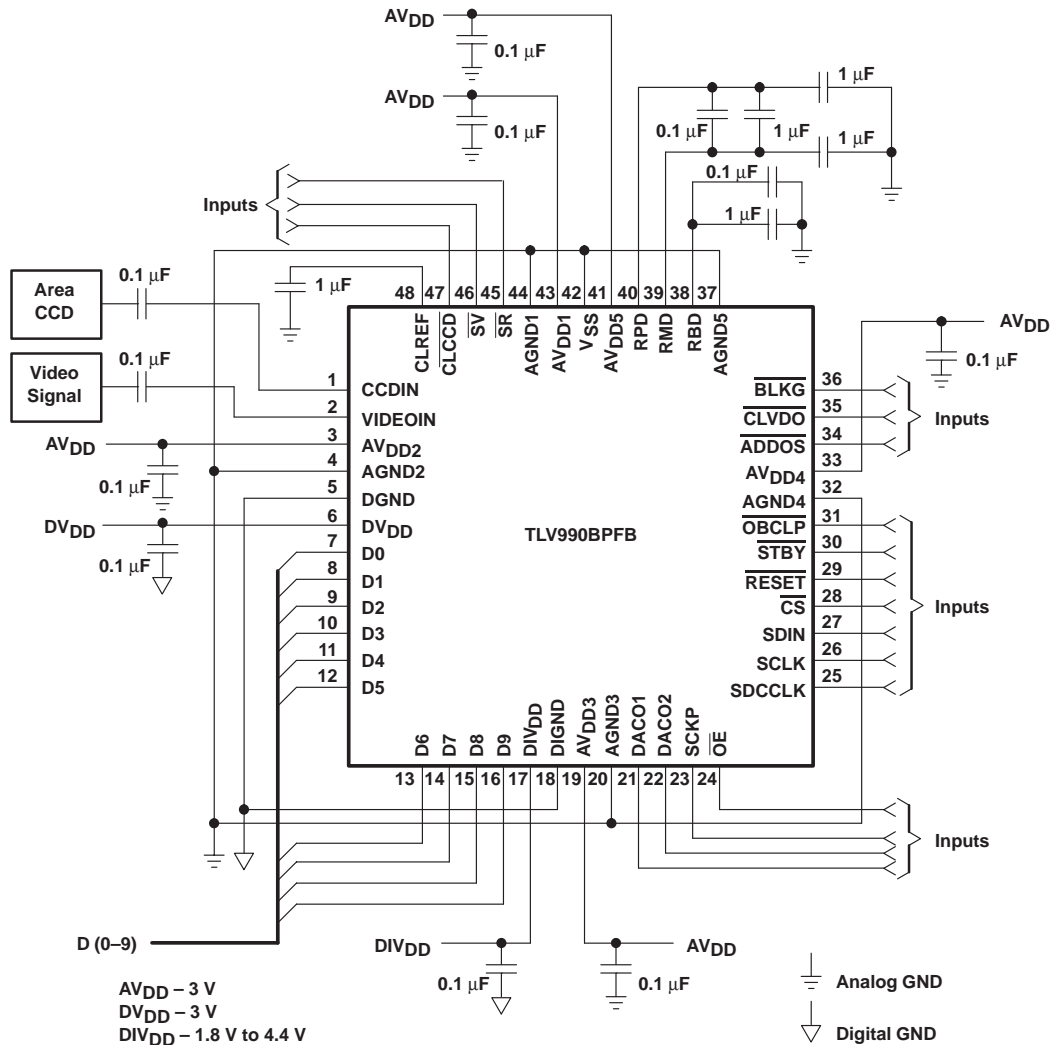
TIMING PARAMETER	MIN	TYP	MAX	EXPLANATION
tSRD Delay between sample reset (SR) rising edge and actual sampling instant (ns)	6			This is the fixed internal delay in the chip. The reset value of the CCD waveform should be stable until the end of this period.
tSVD Delay between sample video (SV) rising edge and actual instant of video signal sampling (ns)	6			This is the fixed internal delay in the chip. The video signal value of the CCD waveform should be stable until the end of this period.
tADC_SV Time between ADCCLK falling edge and SV falling edge	3			The timing margin required to ensure the ADCCLK positive half cycle is in between two SV pulses

Figure 4. Detailed Internal Timing Diagram

TLV990B
3-V, 10-BIT, 28-MSPS AREA CCD AND VIDEO SIGNAL PROCESSOR

SLAS327-FEBRUARY 2001

APPLICATION INFORMATION



NOTE: All analog outputs should be buffered if the load is resistive, or if the load is capacitive and greater than 2-pF.

Figure 5. Typical Application Connection

REGISTER DEFINITION

serial input data format

DI15	DI14	DI13	DI12	DI11	DI10	DI9	DI8	DI7	DI6	DI5	DI4	DI3	DI2	DI1	DI0
X	X	A3	A2	A1	A0	D9	D8	D7	D6	D5	D4	D3	D2	D1	D0

A3	A2	A1	A0		D9–D0
0	0	0	0	Control register1	10-bit data to be written into the selected register
0	0	0	1	PGA gain register	
0	0	1	0	User DAC1 register	
0	0	1	1	User DAC2 register	
0	1	0	0	Coarse offset DAC	
0	1	0	1	Fine offset DAC	
0	1	1	0	Digital Vb register (sets reference code level at the ADC output during the optical black interval)	
0	1	1	1	Optical black setup register (sets the number of black pixels per line for digital averaging)	
1	0	0	0	Hot/cold pixel limit register (sets the limit for maximum positive deviation of optical black pixel from Vb value)	
1	0	0	1	Reserved	
1	0	1	0	Control register2 (sets the weight for digital filtering and video modes)	
1	0	1	1	Blanking data register (The data in this register appears at digital output during blanking (BLKG is low))	
1	1	0	0	ADCCLK internal programmable delay register	
1	1	0	1	SR and SV internal programmable delay register	
1	1	1	0	Test register	

control register1 format

D9	D8	D7	D6	D5	D4	D3	D2	D1	D0
STBY	PDD1	PDD2	ACD	AFD	OBM	X	SRSV	RTOB	RTSY

control register1 description

BIT	NAME	DESCRIPTION
D9	STBY	Device power-down control: 1 = standby, 0 = active (default)
D8	PDD1	Power-down user DAC1: 1 = standby, 0 = active (default)
D7	PDD2	Power-down user DAC2: 1 = standby, 0 = active (default)
D6	ACD	Coarse-offset DAC mode control: 0 = autocalibration (default), 1 = bypass autocalibration. Note: When D6 is set to 0, D5 must also be set to 0 (automode). Otherwise, the automode will be disabled on both offset DACs.
D5	AFD	Fine offset DAC mode control: 0 = autocalibration (default), 1 = bypass autocalibration. Note: D5 can be set to 0 with or without D6 being set to 0.
D4	OBM	This bit initiates the offset DACs starting sequence. 0 = coarse-offset DAC starts first (default) 1 = fine-offset DAC starts first
D3	X	Reserved
D2	SRSV	This bit specifies the polarity of SR and SV input pulses. 0 – SR/SV active low (default) 1 – SR/SV active high
D1	RTOB	Writing 1 to this bit will reset calculated black-level results in the digital averager.
D0	RTSY	Writing 1 to this bit will reset entire system to the default settings (edge sensitive).

TLV990B

3-V, 10-BIT, 28-MSPS AREA CCD AND VIDEO SIGNAL PROCESSOR

SLAS327–FEBRUARY 2001

REGISTER DEFINITION

PGA register format

D9	D8	D7	D6	D5	D4	D3	D2	D1	D0
Bit 9	Bit 8	Bit 7	Bit 6	Bit 5	Bit 4	Bit 3	Bit 2	Bit 1	Bit 0

Default PGA gain = 0000000000 or 0 dB

user DAC1 and DAC2 registers format

D9	D8	D7	D6	D5	D4	D3	D2	D1	D0
X	X	Bit 7	Bit 6	Bit 5	Bit 4	Bit 3	Bit 2	Bit 1	Bit 0

Default user DAC register value = XX00000000

coarse offset DAC register format

D9	D8	D7	D6	D5	D4	D3	D2	D1	D0
X	SIGN	Bit 7	Bit 6	Bit 5	Bit 4	Bit 3	Bit 2	Bit 1	Bit 0

coarse offset DAC register description

BIT	NAME	DESCRIPTION
D9	X	Reserved
D8	SIGN	Coarse DAC sign bit, 0 = + sign (default), 1 = – sign
D7–D0		Coarse DAC control data when the D6 in the control register is set at 1.

Default coarse DAC register value = X000000000

fine offset DAC register format

D9	D8	D7	D6	D5	D4	D3	D2	D1	D0
X	SIGN	Bit 7	Bit 6	Bit 5	Bit 4	Bit 3	Bit 2	Bit 1	Bit 0

fine offset DAC register description

BIT	NAME	DESCRIPTION
D9	X	Reserved
D8	SIGN	Fine DAC sign bit, 0 = + sign (default), 1 = – sign
D7–D0		Fine DAC control data when the D5 in the control register is set at 1.

Default fine DAC register value = X000000000

digital Vb (optical black level) register format

D9	D8	D7	D6	D5	D4	D3	D2	D1	D0
Bit 9	Bit 8	Bit 7	Bit 6	Bit 5	Bit 4	Bit 3	Bit 2	Bit 1	Bit 0

Default Vb register value = 40 Hex

REGISTER DEFINITION

optical black setup register format

D9	D8	D7	D6	D5	D4	D3	D2	D1	D0
OMUX1	OMUX0	HYS	X	SOFW1	SOFW0	MP	PN2	PN1	PN0

optical black setup register description

BIT	NAME	DESCRIPTION															
D8, D9	OMUX1, OMUX0	These two bits multiplex digital output (data presented at D[9:0] pins): <table border="1" style="margin-left: 20px;"> <tr> <td>OMUX1</td> <td>OMUX0</td> <td></td> </tr> <tr> <td>0</td> <td>0</td> <td>D[9:0] = ADC output (default)</td> </tr> <tr> <td>0</td> <td>1</td> <td>D[9:0] = ADC output</td> </tr> <tr> <td>1</td> <td>0</td> <td>D[9] = fine/coarse (1/0) autocorrection flag D[8] = coarse DAC sign D[7:0] = coarse DAC value</td> </tr> <tr> <td>1</td> <td>1</td> <td>D[9] = fine/coarse (1/0) autocorrection flag D[8] = fine DAC sign D[7:0] = fine DAC value</td> </tr> </table>	OMUX1	OMUX0		0	0	D[9:0] = ADC output (default)	0	1	D[9:0] = ADC output	1	0	D[9] = fine/coarse (1/0) autocorrection flag D[8] = coarse DAC sign D[7:0] = coarse DAC value	1	1	D[9] = fine/coarse (1/0) autocorrection flag D[8] = fine DAC sign D[7:0] = fine DAC value
OMUX1	OMUX0																
0	0	D[9:0] = ADC output (default)															
0	1	D[9:0] = ADC output															
1	0	D[9] = fine/coarse (1/0) autocorrection flag D[8] = coarse DAC sign D[7:0] = coarse DAC value															
1	1	D[9] = fine/coarse (1/0) autocorrection flag D[8] = fine DAC sign D[7:0] = fine DAC value															
D7	HYS	Sets the hysteresis 0 – Apply hysteresis to FDAC (default) 1 – No hysteresis															
D6	X	Reserved															
D5, D4	SOFW1, SOFW0	These two bits set the digital filter weight when SOF is activated (the SOF bit in control register 2 is set to 1). <table border="1" style="margin-left: 20px;"> <tr> <td>SOFW1</td> <td>SOFW0</td> <td>Weight</td> </tr> <tr> <td>0</td> <td>0</td> <td>0 (default)</td> </tr> <tr> <td>0</td> <td>1</td> <td>1</td> </tr> <tr> <td>1</td> <td>0</td> <td>2</td> </tr> <tr> <td>1</td> <td>1</td> <td>3</td> </tr> </table>	SOFW1	SOFW0	Weight	0	0	0 (default)	0	1	1	1	0	2	1	1	3
SOFW1	SOFW0	Weight															
0	0	0 (default)															
0	1	1															
1	0	2															
1	1	3															
D3	MP	When this bit is 1, the number of optical black pixels to be averaged per line (2^N) is multiplied by 3. By setting the MP and PN2–PN0 bits together, the number of optical black pixels can be programmed to have the following numbers: 1, 2, 3 (1X3), 4, 6 (2x3), 8, 12 (4x3), 16, 24 (8x3), 32, 48 (16x3), 64, 96 (32x3), and 192 (64x3). Default: MP = 0, no multiplication															
D2–D0	PN2–PN0	Number of optical black pixels per line to average = 2^N N can be 0, 1, 2, 3, 4, 5, and 6. Or number of pixels per line can be 1, 2, 4, 8 (default), 16, 32, or 64. The maximum number of pixels per line is 64, even if N>6.															

Default optical black calibration register value = 000000011

TLV990B

3-V, 10-BIT, 28-MSPS AREA CCD AND VIDEO SIGNAL PROCESSOR

SLAS327–FEBRUARY 2001

REGISTER DEFINITION

hot/cold pixel limit register format

D9	D8	D7	D6	D5	D4	D3	D2	D1	D0
X	X	X	X	X	X	X	X	X	HFIT

hot/cold pixel limit register description

Bit	Name	Description
D9 – D1	X	Reserved
D0	HFIT	Set hot/cold pixel filter 0 – Apply $V_b \pm .8$ hot/cold pixel filtering 1 – No hot/cold pixel filtering (default)

Default hot/cold pixel limit register value = 000000001

control register2 format

D9	D8	D7	D6	D5	D4	D3	D2	D1	D0
SOF	NOS	ASOF	VGND	INM	ACL	OBOB	WT2	WT1	WT0

control register 2 description

BIT	NAME	DESCRIPTION																																																		
D9	SOF	0 – Normal mode (default) 1 – Start of frame (only used when exposure time is changed) When this bit is set to 1, next positive ADCCLK edge indicates that next pixel line is the beginning of a new frame. The optical black correction will be performed with one line averaging only (digital filtering weight = 1) and without hot/cold pixel limits.																																																		
D8	NOS	Internal test bit, add 255 to optical black pixels when this bit is set to 1; default = 0																																																		
D7	ASOF	Enable the auto SOF: 1 – Automatically enable SOF at major gain changes (no digital filtering for 1 line) 0 – No auto SOF (default)																																																		
D6	VGND	Short VIDEOIN to GND when this bit is set to 1; default = 0																																																		
D5	INM	This bit selects the input modes. 0 – CCD mode (default) 1 – Video mode																																																		
D4	ACL	0 Video mode, autclamp (default) 1 Video mode, manual clamp																																																		
D3–D0	WT3–WT0	These three bits set the weight for digital filtering. <table border="1" style="margin-left: 20px;"> <thead> <tr> <th>WT3</th> <th>WT2</th> <th>WT1</th> <th>WT0</th> <th>Weight (effect of the averaged result of each optical black pixel line on overall optical black averaging)</th> </tr> </thead> <tbody> <tr><td>0</td><td>0</td><td>0</td><td>0</td><td>1</td></tr> <tr><td>0</td><td>0</td><td>0</td><td>1</td><td>1/2</td></tr> <tr><td>0</td><td>0</td><td>1</td><td>0</td><td>1/2</td></tr> <tr><td>0</td><td>0</td><td>1</td><td>1</td><td>1/8</td></tr> <tr><td>0</td><td>1</td><td>0</td><td>0</td><td>1/16</td></tr> <tr><td>0</td><td>1</td><td>0</td><td>1</td><td>1/32</td></tr> <tr><td>0</td><td>1</td><td>1</td><td>0</td><td>1/64</td></tr> <tr><td>0</td><td>1</td><td>1</td><td>1</td><td>1/128 (default)</td></tr> <tr><td>1</td><td>0</td><td>0</td><td>0</td><td>1/256</td></tr> </tbody> </table>	WT3	WT2	WT1	WT0	Weight (effect of the averaged result of each optical black pixel line on overall optical black averaging)	0	0	0	0	1	0	0	0	1	1/2	0	0	1	0	1/2	0	0	1	1	1/8	0	1	0	0	1/16	0	1	0	1	1/32	0	1	1	0	1/64	0	1	1	1	1/128 (default)	1	0	0	0	1/256
WT3	WT2	WT1	WT0	Weight (effect of the averaged result of each optical black pixel line on overall optical black averaging)																																																
0	0	0	0	1																																																
0	0	0	1	1/2																																																
0	0	1	0	1/2																																																
0	0	1	1	1/8																																																
0	1	0	0	1/16																																																
0	1	0	1	1/32																																																
0	1	1	0	1/64																																																
0	1	1	1	1/128 (default)																																																
1	0	0	0	1/256																																																

Default control register2 value = X00000000

REGISTER DEFINITION

blanking data register format

D9	D8	D7	D6	D5	D4	D3	D2	D1	D0
0	0	0	0	BDTA	0	0	0	0	0

blanking data register description

BIT	NAME	DESCRIPTION
D5	BDTA	This register value appears at the digital output when BLKG is low. When this bit is set to 1, digital output during blanking will be VB. Register default value = 0.

Default = 000000000

ADCCLK internal delay register format

D9	D8	D7	D6	D5	D4	D3	D2	D1	D0
X	X	X	X	X	X	ADL3	ADL2	ADL1	ADL0

ADCCLK internal delay register description

BIT	NAME	DESCRIPTION																														
D9–D4	X	Reserved																														
D3–D0	ADL3–ADL0	These four bits set the internal ADCCLK delay. <table border="0" style="width: 100%; border-collapse: collapse;"> <tr> <td style="width: 10%;"></td> <td style="width: 10%;">ADL3</td> <td style="width: 10%;">ADL2</td> <td style="width: 10%;">ADL1</td> <td style="width: 10%;">ADL0</td> <td style="width: 50%;">Typical internal delay</td> </tr> <tr> <td></td> <td>0</td> <td>0</td> <td>0</td> <td>0</td> <td>0 ns (default)</td> </tr> <tr> <td></td> <td style="text-align: center;">⋮</td> <td></td> <td></td> <td></td> <td></td> </tr> <tr> <td></td> <td style="text-align: center;">⋮</td> <td></td> <td></td> <td></td> <td></td> </tr> <tr> <td></td> <td>1</td> <td>1</td> <td>1</td> <td>1</td> <td>10 ns</td> </tr> </table>		ADL3	ADL2	ADL1	ADL0	Typical internal delay		0	0	0	0	0 ns (default)		⋮						⋮						1	1	1	1	10 ns
	ADL3	ADL2	ADL1	ADL0	Typical internal delay																											
	0	0	0	0	0 ns (default)																											
	⋮																															
	⋮																															
	1	1	1	1	10 ns																											

Default register value = XXXXXX0000

SR and SV internal delay register format

D9	D8	D7	D6	D5	D4	D3	D2	D1	D0
X	X	SVL3	SVL2	SVL1	SVL0	SRL3	SRL2	SRL1	SRL0

SR and SV internal delay register description

BIT	NAME	DESCRIPTION																														
D9–D8	X	Reserved																														
D7–D4	SVL3–SVL0	These four bits set the internal SV delay. <table border="0" style="width: 100%; border-collapse: collapse;"> <tr> <td style="width: 10%;"></td> <td style="width: 10%;">SVL3</td> <td style="width: 10%;">SVL2</td> <td style="width: 10%;">SVL1</td> <td style="width: 10%;">SVL0</td> <td style="width: 50%;">Typical internal delay</td> </tr> <tr> <td></td> <td>0</td> <td>0</td> <td>0</td> <td>0</td> <td>0 ns (default)</td> </tr> <tr> <td></td> <td style="text-align: center;">⋮</td> <td></td> <td></td> <td></td> <td></td> </tr> <tr> <td></td> <td style="text-align: center;">⋮</td> <td></td> <td></td> <td></td> <td></td> </tr> <tr> <td></td> <td>1</td> <td>1</td> <td>1</td> <td>1</td> <td>10 ns</td> </tr> </table>		SVL3	SVL2	SVL1	SVL0	Typical internal delay		0	0	0	0	0 ns (default)		⋮						⋮						1	1	1	1	10 ns
	SVL3	SVL2	SVL1	SVL0	Typical internal delay																											
	0	0	0	0	0 ns (default)																											
	⋮																															
	⋮																															
	1	1	1	1	10 ns																											
D3–D0	SRL3–SRL0	These four bits set the internal SV delay. <table border="0" style="width: 100%; border-collapse: collapse;"> <tr> <td style="width: 10%;"></td> <td style="width: 10%;">SRL3</td> <td style="width: 10%;">SRL2</td> <td style="width: 10%;">SRL1</td> <td style="width: 10%;">SRL0</td> <td style="width: 50%;">Typical internal delay</td> </tr> <tr> <td></td> <td>0</td> <td>0</td> <td>0</td> <td>0</td> <td>0 ns (default)</td> </tr> <tr> <td></td> <td style="text-align: center;">⋮</td> <td></td> <td></td> <td></td> <td></td> </tr> <tr> <td></td> <td style="text-align: center;">⋮</td> <td></td> <td></td> <td></td> <td></td> </tr> <tr> <td></td> <td>1</td> <td>1</td> <td>1</td> <td>1</td> <td>10 ns</td> </tr> </table>		SRL3	SRL2	SRL1	SRL0	Typical internal delay		0	0	0	0	0 ns (default)		⋮						⋮						1	1	1	1	10 ns
	SRL3	SRL2	SRL1	SRL0	Typical internal delay																											
	0	0	0	0	0 ns (default)																											
	⋮																															
	⋮																															
	1	1	1	1	10 ns																											

Default register value = XX00000000

TLV990B
3-V, 10-BIT, 28-MSPS AREA CCD AND VIDEO SIGNAL PROCESSOR

SLAS327–FEBRUARY 2001

PRINCIPLES OF OPERATION
CCD mode operation

The output from the CCD sensor is first fed to a correlated double sampler (CDS) through the CCDIN pin. The CCD signal is sampled and held during the reset reference interval and the video signal interval. By subtracting two resulting voltage levels, the CDS removes low frequency noise from the output of the CCD sensor and obtains the voltage difference between the CCD reference level and the video level of each pixel. Two sample/hold control pulses (SR and SV) are required to perform the CDS function.

The CCD output is capacitively coupled to the TLV990B. The ac-coupling capacitor is clamped to establish proper dc bias during the dummy pixel interval by the $\overline{\text{CLCCD}}$ input. The bias at the input to the TLV990B is set to 1.2 V. Normally, $\overline{\text{CLCCD}}$ is applied at sensor's line rate. A capacitor, with a value ten times larger than that of the input ac-coupling capacitor, should be connected between the CLREF pin and the AGND.

When operating the TLV990B at its maximum speed, the CCD internal source resistance should be smaller than 50 Ω . Otherwise CCD output buffering is required.

The signal is sent to the PGA after the CDS function is complete. The PGA gain can be adjusted from 0 to 36 dB by programming the internal gain register via the serial port. The PGA is digitally controlled with 10-bit resolution on a linear dB scale, resulting in a 0.045-dB gain step. The gain can be expressed by the following equation,

$$\text{Gain} = \text{PGA code} \times 0.045 \text{ dB}$$

Where PGA code has a range of 0 to 767.

Due to different exposure times, there might be a sudden optical black level shift at the start of each frame. Thus, a quick optical black-level correction is desirable. The user can set an internal control bit (the SOF bit in control register2) to automatically disable the hot/cold pixel limits and to set the digital filtering weighting factor to 1 (equivalent to one-line averaging). In this way the optical black correction could be performed very quickly for the first line of each frame.

The number of black pixels in each line is programmable. The number of black pixels per line that can be averaged is 2^N , where N can be any integer between 0 and 6.

The autocalibration feature can be bypassed if the user prefers to directly program the offset DAC registers. Switching the autocalibration mode to the direct programming mode requires two register writes. First, the control bits for the offset DACs in the control register must be changed, then the desired register-offset value is loaded to the offset DAC registers for proper error correction. If the total offset, including optical black level, is less than ± 255 ADC LSBs, only the FDAC needs to be programmed. When switching from direct programming mode to autocalibration mode, the previous DAC register values are used as starting offsets rather than default DAC register values.

video mode operation

The TLV990B also provides an analog video-processing channel that consists of an input clamp, a PGA, and an ADC. Setting the INM bit to 1 in control register2 enables the video channel. The video signal should be connected to the VIDEOIN pin via a 0.1- μF capacitor, as shown in Figure 5.

The video input has its own clamp circuit operated in two modes: aut clamp, and manual clamp.

In manual clamp mode, the input is clamped when $\overline{\text{CLVDO}}$ pin is pulled low. During this mode, the dc level of the video sync pulse is forced to the clamp reference voltage (1.2 V).

If the dc level of the video sync pulse is less than the clamp voltage (1.2 V), the aut clamp mode can be selected (control register2). No external clamp-control signal is required. The $\overline{\text{CLVDO}}$ pin can be left open.

PRINCIPLES OF OPERATION

ADC

The ADC employs a pipelined architecture to achieve high throughput and low power consumption. Fully-differential implementation and digital-error correction ensure 10-bit resolution.

The latency of the ADC data output is 6 ADCCLK cycles, as shown in Figure 1. Pulling the OE pin (pin 24) high puts the ADC output in high impedance.

user DACs

The TLV990B includes two user DACs that can be used for external analog settings. The output voltage of each DAC can be independently set and has a range of 0 V up to the supply voltage, with an 8-bit resolution. When the user DACs are not used in a camera system, they can be put in the standby mode by programming control bits in the control register.

internal timing

The SR and SV signals are required to operate the CDS, as previously explained. The user needs to synchronize the SR and SV clocks with the CCD signal waveform. The output of the ADC is read out to external circuitry by the ADCCLK signal, which is also used internally to control both ADC and PGA operations. It is required that the positive half cycle of the ADCCLK signal always falls in between two adjacent SV pulses as shown in Fig. 1. The user can then fine tune the ADCCLK timing in relation to the CDS timing to achieve optimal performance.

The $\overline{\text{CLCCD}}$ signal is used to activate the input clamping and the $\overline{\text{OBCLP}}$ signal is used to activate auto-optical black and offset correction.

input blanking function

Large input transients may occur at the TLV990B's input during some period of operation which can saturate the input circuits and cause long recovery time. To prevent circuit saturation the TLV990B includes an input blanking function that blocks the input signals by disabling the CDS operation whenever the BLKG input is pulled low. The TLV990B digital output will be set by the blanking data register after BLKG is pulled low.

NOTE:

If the BLKG pulse is located before the OBCLP pulse, there must be at least 4 pixels between the rising edge of the BLKG pulse and the falling edge of the OBCLP pulse. If the BLKG pulse is located after the OBCLP, the minimum number of pixels between the falling edge of the OBCLP and the falling edge of the BLKG pulse should be equal to the number of optical black pixels per line + 4.

3-wire serial interface

A simple 3-wire (SCLK, SDIN, and $\overline{\text{CS}}$) serial interface is provided to allow writing to the TLV990B internal registers. Serial clock SCLK can be run at a maximum frequency of 40 MHz. Serial data SDIN is 16 bits long. The two leading null bits are followed by four address bits for which the internal register is to be updated, and then ten bits of data to be written to the register. The $\overline{\text{CS}}$ pin must be held low to enable the serial port. Data transfer is initiated by the incoming SCLK after $\overline{\text{CS}}$ falls.

The SCLK polarity is selectable by pulling the SCKP pin either high or low.

TLV990B**3-V, 10-BIT, 28-MSPS AREA CCD AND VIDEO SIGNAL PROCESSOR**

SLAS327–FEBRUARY 2001

PRINCIPLES OF OPERATION**device reset**

When pin RESET (pin 29) is pulled low, all internal registers are set to their default values. The device also resets itself when it is first powered on. In addition, the TLV990B has a software-reset function that resets the device when writing a control bit to the control register.

See the *register definition* section for the register default values.

voltage references

An internal precision-voltage reference of 1.5 V nominal is provided. This reference voltage is used to generate the ADC Ref⁻ voltage of 1 V and Ref⁺ of 2 V. It is also used to set the clamp voltage. All internally-generated voltages are fixed values and cannot be adjusted.

power-down mode (standby)

The TLV990B implements both hardware and software power-down modes. Pulling pin $\overline{\text{STBY}}$ (pin 30) low puts the device in the low-power standby mode. Total supply current drops to about 0.6 mA. Setting a power-down control bit in the control register can also activate the power-down mode. The user can still program all internal registers during the power-down mode.

power supply

The TLV990B has several power-supply pins. Each major internal analog block has a dedicated AV_{DD} supply pin. All internal digital circuitry is powered by DV_{DD}. Both AV_{DD} and DV_{DD} are 3-V nominal.

The DIV_{DD} and DIGND pins supply power to the output digital driver (D9–D0). The DIV_{DD} is independent of the DV_{DD} and can be operated from 1.8 V to 4.4 V. This allows the outputs to interface with digital ASICs requiring different supply voltages.

ground and decoupling

All ground pins of the TLV990B are not internally connected and must be connected externally to PCB ground.

General practices should apply to the PCB design to limit high-frequency transients and noise that are fed back into the supply and reference lines. This requires that the supply and reference pins be sufficiently bypassed. In the case of power supply decoupling, 0.1- μ F ceramic chip capacitors are adequate to keep the impedance low over a wide frequency range. Recommended external decoupling for the three voltage-reference pins is shown in Figure 4. Since their effectiveness depends largely on the proximity to the individual supply pin, all decoupling capacitors should be placed as close as possible to the supply pins.

To reduce high-frequency and noise coupling, it is highly recommended that digital and analog grounds be shorted immediately outside the package. This can be accomplished by running a low-impedance line between DGND and AGND under the package.

PRINCIPLES OF OPERATION

automatic optical black and offset correction

In the TLV990B, the optical black and system channel-offset corrections are performed by an autodigital feedback loop. Two DACs are used to compensate for both channel offset and optical black offset. A coarse correction DAC (CDAC) is located before PGA gain stage, and a fine correction DAC (FDAC) is located after the gain stage. The digital-calibration system is capable of correcting the optical black and channel offset down to one ADC LSB accuracy.

The TLV990B automatically starts autocalibration whenever the $\overline{\text{OBCLP}}$ input is pulled low. The $\overline{\text{OBCLP}}$ pulse should be wide enough to cover one positive half cycle of the ADCCLK, as shown in Figure 1.

For each line, the optical black pixels plus the channel offset are sampled and converted to digital data by the ADC. A digital circuit averages the data during the optical black pixels. The averaged result is compared digitally with the desired output code stored in the Vb register (default is 40H), then the FDAC is adjusted by control logic to make the ADC output equal to the Vb. If the offset is out of the range of the FDAC (± 127 ADC LSBs), the error is corrected by both the CDAC and the FDAC. The CDAC increments or decrements by one CDAC LSB, depending on whether the offset is negative or positive, until the output is within the range of the FDAC. The remaining residue is corrected by the FDAC.

The relationship among the FDAC, CDAC, and ADC in terms of number of ADC LSBs is as follows:

$$1 \text{ FDAC LSB} = 1 \text{ ADC LSB,}$$

$$1 \text{ CDAC LSB} = \text{PGA linear gain} \times n \text{ ADC LSB}$$

where n is:

$$\begin{aligned} 2 & \text{ for } 0 \leq \text{gain code} < 64 \\ 1.5 & \text{ for } 64 \leq \text{gain code} < 96 \\ 1 & \text{ for } 96 \leq \text{gain code} < 128 \\ 0.5 & \text{ for } 128 \leq \text{gain code} \end{aligned}$$

For example, if PGA gain = 2 (6 dB), then, 1 CDAC LSB = 2 x 4 ADC LSBs = 8 ADC LSBs.

After autocalibration is complete, the ADC's digital output during CCD signal interval can be expressed by the following equation:

$$\text{ADC output [D9–D0]} = \text{CCD_input} \times \text{PGA gain} + V_b,$$

where Vb is the desired black level selected by user. The total offset, including optical black offset, is calibrated to be equal to the Vb by adjusting the offset correction DACs during autocalibration.

A weighted rolling average of the optical black pixels is taken during averaging. The weighting factor can be programmed in control register2. The weighting factor determines the speed of convergence of the digital filtering implemented within the CCD signal processor. Weighting factors closer to 1 result in faster convergence. As the weighting factor decreases towards its minimum value of 1/128, the speed of convergence of the digital filtering decreases.

The algorithm also takes *hot pixels* and *cold pixels* into consideration. A hot optical black pixel is a defective pixel that generates too much charge, while a cold pixel is the one that generates very little or no charge. A digital comparator compares the digitized optical black pixels with user-selected hot and cold pixel limits. If the optical black pixel value is out of range, then that *hot* or *cold pixel* is replaced with the value of the previous pixel.

TLV990B**3-V, 10-BIT, 28-MSPS AREA CCD AND VIDEO SIGNAL PROCESSOR**SLAS327–FEBRUARY 2001

PRINCIPLES OF OPERATION**automatic optical black and offset correction (continued)**

Due to different exposure times, there might be a sudden optical black level shift at the start of each frame. Thus, a quick optical black level correction is desirable. The user can set an internal control bit (the SOF bit in control register2) to automatically disable the hot/cold pixel limits and to set the digital filtering weighting factor to 1 (equivalent to one-line averaging). In this way the optical black correction could be performed very quickly for the first line of each frame.

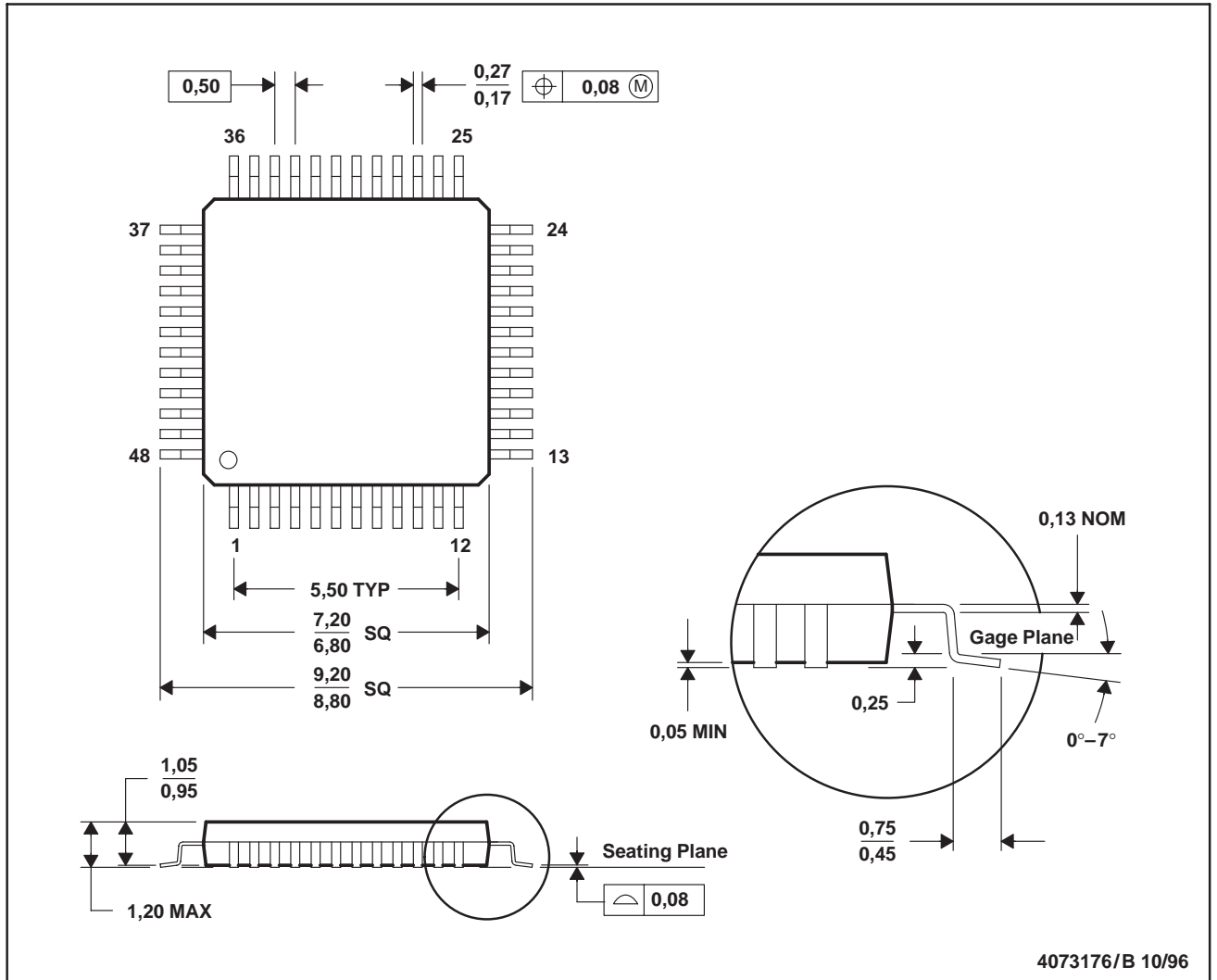
The number of black pixels in each line is programmable. The number of black pixels per line that can be averaged is 2^N , where N can be any integer from 0 to 6.

The autocalibration feature can be bypassed if the user prefers to directly program the offset DAC registers. Switching the autocalibration mode to the direct-programming mode requires two register writes. First, the control bits for the offset DACs in the control register must be changed, then the desired offset value for the register is loaded to the offset DAC registers for proper error correction. If the total offset, including optical black level is less than ± 255 ADC LSBs, only the FDAC needs to be programmed. When switching from direct-programming mode to autocalibration mode, the previous DAC register values, rather than default DAC register values, are used as starting offsets.

MECHANICAL DATA

PFB (S-PQFP-G48)

PLASTIC QUAD FLATPACK



- NOTES: A. All linear dimensions are in millimeters.
 B. This drawing is subject to change without notice.
 C. Falls within JEDEC MS-026

IMPORTANT NOTICE

Texas Instruments and its subsidiaries (TI) reserve the right to make changes to their products or to discontinue any product or service without notice, and advise customers to obtain the latest version of relevant information to verify, before placing orders, that information being relied on is current and complete. All products are sold subject to the terms and conditions of sale supplied at the time of order acknowledgment, including those pertaining to warranty, patent infringement, and limitation of liability.

TI warrants performance of its products to the specifications applicable at the time of sale in accordance with TI's standard warranty. Testing and other quality control techniques are utilized to the extent TI deems necessary to support this warranty. Specific testing of all parameters of each device is not necessarily performed, except those mandated by government requirements.

Customers are responsible for their applications using TI components.

In order to minimize risks associated with the customer's applications, adequate design and operating safeguards must be provided by the customer to minimize inherent or procedural hazards.

TI assumes no liability for applications assistance or customer product design. TI does not warrant or represent that any license, either express or implied, is granted under any patent right, copyright, mask work right, or other intellectual property right of TI covering or relating to any combination, machine, or process in which such products or services might be or are used. TI's publication of information regarding any third party's products or services does not constitute TI's approval, license, warranty or endorsement thereof.

Reproduction of information in TI data books or data sheets is permissible only if reproduction is without alteration and is accompanied by all associated warranties, conditions, limitations and notices. Representation or reproduction of this information with alteration voids all warranties provided for an associated TI product or service, is an unfair and deceptive business practice, and TI is not responsible nor liable for any such use.

Resale of TI's products or services with *statements different from or beyond the parameters* stated by TI for that product or service voids all express and any implied warranties for the associated TI product or service, is an unfair and deceptive business practice, and TI is not responsible nor liable for any such use.

Also see: [Standard Terms and Conditions of Sale for Semiconductor Products](http://www.ti.com/sc/docs/stdterms.htm). www.ti.com/sc/docs/stdterms.htm

Mailing Address:

Texas Instruments
Post Office Box 655303
Dallas, Texas 75265