



## **Excellent Integrated System Limited**

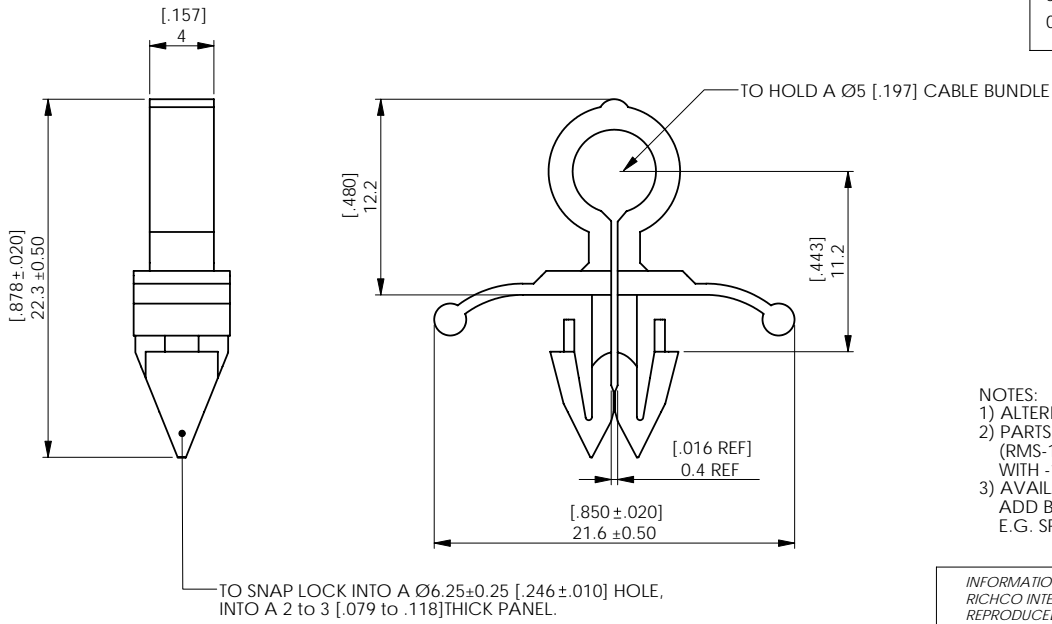
Stocking Distributor

Click to view price, real time Inventory, Delivery & Lifecycle Information:

[Essentra Components \(formerly Richco, Inc.\)](#)  
[SRC-1-01](#)

For any questions, you can email us directly:  
[sales@integrated-circuit.com](mailto:sales@integrated-circuit.com)

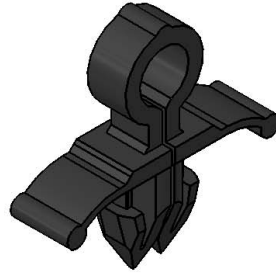
REV.	MODIFICATION.	DATE	DRN
01	PRODUCTION RELEASE	18/06/08	OW
02	CO2010446	16/10/08	SF
03	CO2010486	20/11/08	PH
04	CO2010743	24/07/09	OW



- NOTES:
- 1) ALTERNATE UNITS FOR REFERENCE ONLY
  - 2) PARTS AVAILABLE IN NYLON 6/6 UL94 V-0 (RMS-19) BY SPECIAL ORDER. REPLACE -01 WITH -19 E.G. SRC-1-19
  - 3) AVAILABLE IN BLACK COLOUR BY SPECIAL ORDER. ADD BK TO THE END OF THE PART NUMBER E.G. SRC-1-01BK

INFORMATION CONTAINED IN THIS DOCUMENT IS CONFIDENTIAL TO RICHCO INTERNATIONAL Co. Ltd. AND MAY NOT BE DISCLOSED OR REPRODUCED IN WHOLE OR PART WITHOUT THEIR WRITTEN CONSENT.

<b>RICHCO, INC.</b> WWW.RICHCO-INC.COM		ALL DIMENSIONS IN mm GENERAL TOLERANCES ±0.25 UNLESS OTHERWISE STATED 1 DECIMAL PLACE ±0.25 2 DECIMAL PLACES ±0.10 ANGULAR ±1°	THIRD ANGLE 
MATERIAL: SEE TABLE		COLOUR: SEE TABLE	
DESCRIPTION: SPLIT ROUTING CLIP		PART No: SRC-1-XX	
DRG No: 08-0051	NPR No: 2007-304	Mass:(g) 0.8	SHEET SIZE A4
DRN OW	DATE 02/10/07	CHKD SF	DATE 02/10/07
SCALE NTS		SHEET No. 1 OF 1	



PART NUMBER	MATERIAL	COLOUR
SRC-1-01	NYLON 6/6 UL94 V-2(RMS-01)	NATURAL