

## Excellent Integrated System Limited

Stocking Distributor

Click to view price, real time Inventory, Delivery & Lifecycle Information:

[Texas Instruments](#)  
[TUSB2136PM](#)

For any questions, you can email us directly:

[sales@integrated-circuit.com](mailto:sales@integrated-circuit.com)

# **TUSB2136**

## **Universal Serial Bus Compound Hub with General Purpose 8052 MCU**

# *Data Manual*



# ***TUSB2136*** ***Data Manual***

## ***Universal Serial Bus Compound Hub with General-Purpose 8052 MCU***

Literature Number: SLLS442E  
August 2007



Printed on Recycled Paper

## Contents

<i>Section</i>	<i>Title</i>	<i>Page</i>
<b>1</b>	<b>Introduction</b>	<b>1-1</b>
1.1	Features	1-1
1.2	Functional Block Diagram	1-2
1.3	Terminal Assignments	1-3
1.4	Ordering Information	1-3
1.5	Terminal Functions	1-4
1.6	Revision History	1-5
<b>2</b>	<b>Functional Description</b>	<b>2-1</b>
2.1	MCU Memory Map	2-1
2.2	Miscellaneous Registers	2-1
2.2.1	TUSB2136 Boot Operation	2-1
2.2.2	MCNFG: MCU Configuration Register	2-2
2.2.3	PUR_n: GPIO Pullup Register for Port n (n = 0 to 3)	2-2
2.2.4	INTCFG: Interrupt Configuration	2-3
2.2.5	WDCSR: Watchdog Timer, Control, and Status Register	2-3
2.2.6	PCON: Power Control Register (at SFR 87h)	2-4
2.3	Buffers + I/O RAM Map	2-4
2.4	Endpoint Descriptor Block (EDB-1 to EDB-3)	2-5
2.4.1	OEPCNF_n: Output Endpoint Configuration	2-7
2.4.2	OEPBBAX_n: Output Endpoint X-Buffer Base-Address	2-7
2.4.3	OEPBCTX_n: Output Endpoint X Byte Count	2-8
2.4.4	OEPBBAY_n: Output Endpoint Y-Buffer Base-Address	2-8
2.4.5	OEPBCTY_n: Output Endpoint Y Byte Count	2-8
2.4.6	OEPSIZXY_n: Output Endpoint X/Y Byte Count	2-9
2.4.7	IEPCNF_n: Input Endpoint Configuration	2-9
2.4.8	IEPBBAX_n: Input Endpoint X-Buffer Base-Address	2-9
2.4.9	IEPBCTX_n: Input Endpoint X-Byte Base-Address	2-10
2.4.10	IEPBAY_n: Input Endpoint Y-Buffer Base-Address	2-10
2.4.11	IEPBCTY_n: Input Endpoint Y Byte Count	2-10
2.4.12	IEPSIZXY_n: Input Endpoint X/Y-Buffer Size	2-11
2.5	Endpoint-0 Descriptor Registers	2-11
2.5.1	IEPCNFG_0: Input Endpoint-0 Configuration Register	2-11
2.5.2	IEPBCNT_0: Input Endpoint-0 Byte Count Register	2-12
2.5.3	OEPCNFG_0: Output Endpoint-0 Configuration Register	2-12
2.5.4	OEPBCNT_0: Output Endpoint-0 Byte Count Register	2-13
2.6	USB Registers	2-13

2.6.1	FUNADR: Function Address Register	2-13
2.6.2	USBSTA: USB Status Register	2-14
2.6.3	USBMSK: USB Interrupt Mask Register	2-15
2.6.4	USBCTL: USB Control Register	2-16
2.6.5	HUBCNFG: HUB-Configuration Register	2-17
2.6.6	HUBPOTG: HUB Power-On to Power-Good Descriptor Register	2-17
2.6.7	HUBCURT: HUB Current Descriptor Register	2-17
2.6.8	HUBPIDL: HUB-PID Register (Low-Byte)	2-18
2.6.9	HUBPIDH: HUB-PID Register (High-Byte)	2-18
2.6.10	HUBVIDL: HUB-VID Register (Low-Byte)	2-18
2.6.11	HUBVIDH: HUB-VID Register (High-Byte)	2-18
2.6.12	VIDSTA: VID/PID Status Register	2-18
2.7	Function Reset and Power-Up Reset Interconnect	2-19
2.8	Pullup Resistor Connect/Disconnect	2-19
2.9	8052 Interrupt and Status Registers	2-20
2.9.1	8052 Standard Interrupt Enable Register	2-21
2.9.2	Additional Interrupt Sources	2-21
2.9.3	VECINT: Vector Interrupt Register	2-22
2.9.4	Logical Interrupt Connection Diagram ( $\overline{INT0}$ )	2-23
2.9.5	P2[7:0] Interrupt ( $\overline{INT1}$ )	2-23
2.10	I <sup>2</sup> C Registers	2-24
2.10.1	I2CSTA: I <sup>2</sup> C Status and Control Register	2-24
2.10.2	I2CADR: I <sup>2</sup> C Address Register	2-25
2.10.3	I2CDAI: I <sup>2</sup> C Data-Input Register	2-25
2.10.4	I2CDAO: I <sup>2</sup> C Data-Output Register	2-25
2.11	Read/Write Operations	2-25
2.11.1	Read Operation (Serial EEPROM)	2-25
2.11.2	Current Address Read Operation	2-26
2.11.3	Sequential Read Operation	2-26
2.11.4	Write Operation (Serial EEPROM)	2-27
2.11.5	Page Write Operation	2-28
<b>3</b>	<b>Electrical Specifications</b>	<b>3-1</b>
3.1	Absolute Maximum Ratings Over Operating Free-Air Temperature Range	3-1
3.2	Commercial Operating Condition	3-1
3.3	Electrical Characteristics, $T_A = 25^\circ\text{C}$ , $V_{CC} = 3.3\text{ V} \pm 0.3\text{ V}$ , $GND = 0\text{ V}$	3-1
<b>4</b>	<b>Application</b>	<b>4-1</b>
4.1	Keyboard Section	4-1
4.2	Reset Timing	4-3
<b>5</b>	<b>Mechanical Data</b>	<b>5-1</b>

## List of Illustrations

<i>Figure</i>	<i>Title</i>	<i>Page</i>
1-1	TUSB2136 Block Diagram .....	1-2
2-1	MCU Memory Map (TUSB2136B) .....	2-1
2-2	Reset Diagram .....	2-19
2-3	Pullup Resistor Connect/Disconnect Circuit .....	2-20
2-4	Internal Vector Interrupt ( $\overline{INT0}$ ) .....	2-23
2-5	P2[7:0] Input Port Interrupt Generation .....	2-23
4-1	Keyboard LED Connection .....	4-1
4-2	Keyboard Matrix Scan Connection .....	4-2
4-3	Partial Connection Bus Power Mode .....	4-2
4-4	Upstream Connection (a) Non-Switching Power Mode (b) Switching Power Mode .....	4-2
4-5	Downstream Connection – Only One Port Shown .....	4-3
4-6	Reset Timing .....	4-3

## List of Tables

<i>Table</i>	<i>Title</i>	<i>Page</i>
2-1	XDATA Space .....	2-4
2-2	Memory Mapped Registers Summary (XDATA Range = FF80 → FFFF) ..	2-5
2-3	EDB and Buffer Allocations in XDATA .....	2-6
2-4	EDB Entries in RAM (n = 1 to 3) .....	2-7
2-5	Input/Output EDB-0 Registers .....	2-11
2-6	External Pins Mapping to S[3:0] in VIDSTA Register .....	2-19
2-7	8052 Interrupt Location Map .....	2-20
2-8	Vector Interrupt Values .....	2-22
4-1	GPIO Assignment for Matrix Scan and LED Drive .....	4-1



**Distributor of Texas Instruments: Excellent Integrated System Limited**

Datasheet of TUSB2136PM - IC USB HUB I/O CONTROL 64-LQFP

Contact us: [sales@integrated-circuit.com](mailto:sales@integrated-circuit.com) Website: [www.integrated-circuit.com](http://www.integrated-circuit.com)

---

## 1 Introduction

The TUSB2136 is an integrated universal serial bus (USB) hub with a general-purpose 8052 microcontroller that can be used for various USB controller applications. The TUSB2136 has 8K × 8 RAM space for application development. Using a 12-MHz crystal, the onboard oscillator generates the internal system clocks. No additional programming is required for any part of the hub functions. The device is programmed via an inter-IC (I<sup>2</sup>C) serial interface at power on from an EEPROM, or optionally, the application firmware can be downloaded from a host PC via USB. The 8052-based microprocessor allows several third-party standard tools to be used for application development. In addition, the application code available in the general market can also be used (this may or may not require some code modification due to hardware variations).

### 1.1 Features

- Multiproduct support with one code and one chip (up to 16 products with one chip)
- Fully compliant with the USB specification as a compound full-speed device: TID #30270119
- Supports 1.5- and 12-Mbits/s USB data rates
- Supports USB suspend/resume and remote wake-up operation
- Integrated two-port hub with individual power management per port
- Integrated 8052 microcontroller with:
  - 256 × 8 RAM for internal data
  - 8K × 8 RAM code space available for downloadable firmware from host or I<sup>2</sup>C port.
  - 512 × 8 shared RAM used for data buffers and endpoint descriptor blocks (EDB) [1]
  - Four 8052 GPIO ports (ports 0, 1, 2 and 3)
  - Master I<sup>2</sup>C controller for external slave device access
  - Watchdog timer
- Operates from a 12-MHz crystal
- On-chip PLL generates 48 MHz
- Supports a total of three input and three output (interrupt, bulk) endpoints
- Power-down mode
- 64-pin TQFP package

[1] This is the buffer space for USB packet transactions.



## 1.2 Functional Block Diagram

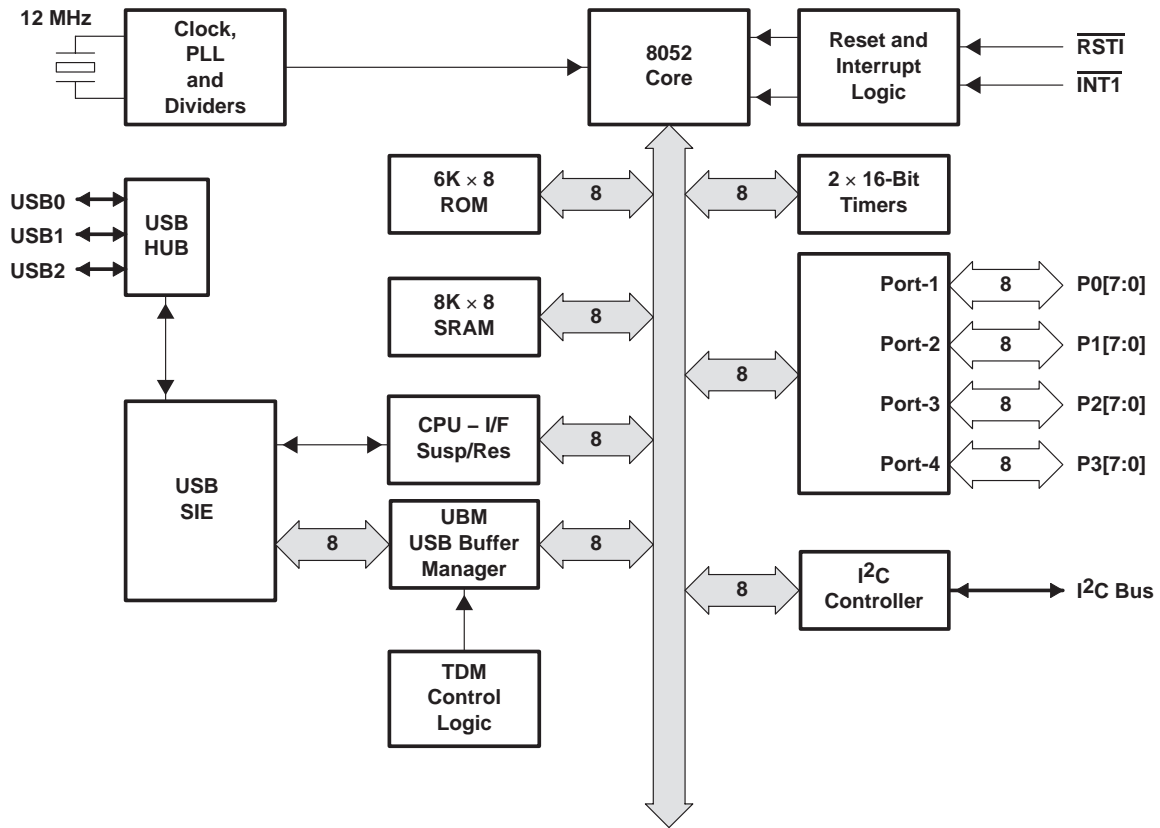
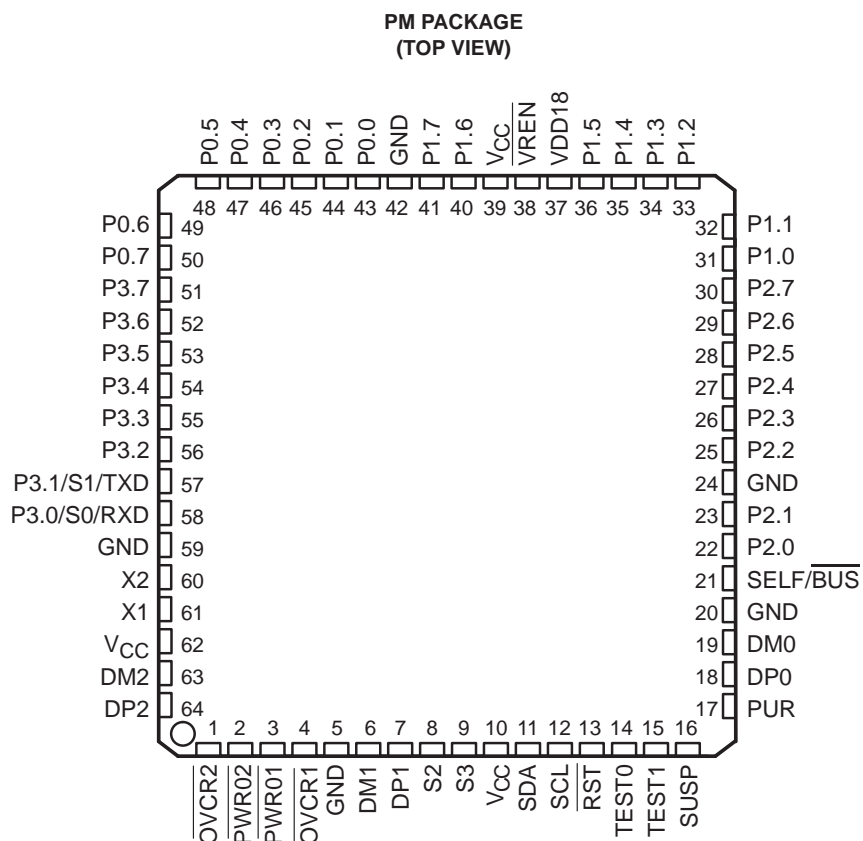


Figure 1-1. TUSB2136 Block Diagram

### 1.3 Terminal Assignments



### 1.4 Ordering Information

<b>T<sub>A</sub></b>	<b>PACKAGE</b>
	<b>PLASTIC QUAD FLATPACK (PM)</b>
0°C to 70°C	TUSB2136PM

## 1.5 Terminal Functions

TERMINAL NAME	NO.	I/O	DESCRIPTION
DM0	19	I/O	Differential data-minus USB port 0: upstream
DM1	6	I/O	Differential data-minus port 1: downstream
DM2	63	I/O	Differential data-minus port 2: downstream
DP0	18	I/O	Differential data-plus USB port 0: upstream
DP1	7	I/O	Differential data-plus port 1: downstream
DP2	64	I/O	Differential data-plus port 2: downstream
GND	5, 20, 24, 42, 59	—	Power supply ground
OVCR1	4	I	Port 1: Overcorrect indicator; Schmitt-trigger input, 100- $\mu$ A active pullup
OVCR2	1	I	Port 2: Overcorrect indicator; Schmitt-trigger input, 100- $\mu$ A active pullup
P0.[0:7]	43, 44, 45, 46, 47, 48, 49, 50	I/O	General-purpose I/O port 0 bits 0–7, Schmitt-trigger input, 100- $\mu$ A active pullup, open-drain output <sup>†</sup>
P1.[0:7]	31, 32, 33, 34, 35, 36, 40, 41	I/O	General-purpose I/O port 1 bits 0–7, Schmitt-trigger input, 100- $\mu$ A active pullup, open-drain output <sup>†</sup>
P2.[0:7]	22, 23, 25, 26, 27, 28, 29, 30	I/O	General-purpose I/O port 2 bits 0–7, Schmitt-trigger input, 100- $\mu$ A active pullup, open-drain output <sup>†</sup>
P3.0/S0/RXD	58	I/O	P3.0: General-purpose I/O port 3 bit 0, Schmitt-trigger input, 100- $\mu$ A active pullup, open-drain output <sup>†</sup>
			S0: See Section 2.6.12
			RXD: Can be used as a UART interface
P3.1/S1/TXD	57	I/O	P3.1: General-purpose I/O port 3 bit 1, Schmitt-trigger input, 100- $\mu$ A active pullup, open-drain output <sup>†</sup>
			S1: See Section 2.6.12
			TXD: Can be used as a UART interface
P3.2	56	I/O	General-purpose I/O port 3 bit 2, Schmitt-trigger input, 100- $\mu$ A active pullup, open-drain output <sup>†</sup> ; $\overline{\text{INT0}}$ only used internally (see Section 2.9.4)
P3.3	55	I/O	General-purpose I/O port 3 bit 3, Schmitt-trigger input, 100- $\mu$ A active pullup, open-drain output <sup>†</sup> ; may support INT1 input, depending on configuration (see Figure 2–5)
P3.[4:7]	54, 53, 52, 51	I/O	General-purpose I/O port 3 bit 4, Schmitt-trigger input, 100- $\mu$ A active pullup, open-drain output <sup>†</sup>
PUR	17	O	Pullup resistor connection pin (3-state); push-pull CMOS output ( $\pm 8$ mA)
PWRO1	3	O	Port 1: power on/off control signal; push-pull CMOS output ( $\pm 8$ mA)
PWRO2	2	O	Port 2: power on/off control signal; push-pull CMOS output ( $\pm 8$ mA)
RST	13	I	Controller master reset signal, Schmitt-trigger input, 100- $\mu$ A active pullup
S2	8	I	General-purpose input; can be used for VID/PID selection under firmware control. This input has no internal pullup, so it must be driven/pulled either low or high and cannot be left unconnected.
S3	9	I	General-purpose input. This input has no internal pullup, so it must be driven/pulled either low or high and cannot be left unconnected.
SCL	12	O	Serial clock I <sup>2</sup> C; push-pull output
SDA	11	I/O	Serial data I <sup>2</sup> C; open-drain output <sup>†</sup>
SELF/BUS	21	I	USB power MODE select: self powered (HIGH), bus powered (LOW)
SUSP	16	O	Suspend status signal: suspended (HIGH); unsuspended (LOW)
TEST0 <sup>‡</sup>	14	I	Test input 0, Schmitt-trigger input, 100- $\mu$ A active pullup
TEST1 <sup>‡</sup>	15	I	Test input 1, Schmitt-trigger input, 100- $\mu$ A active pullup

<sup>†</sup> All open-drain output pins can sink up to 8 mA.

<sup>‡</sup> The functions controlled by TEST0 and TEST1 are shown in the following table. Because these two pins have internal pullups, they can be left unconnected for the default mode.

## 1.5 Terminal Functions (Continued)

TERMINAL NAME	NO.	I/O	DESCRIPTION
VCC	10,39,62	—	Power supply input, 3.3 V typical
VDD18†	37		1.8 V. When VREN is low, 1.8 V must be applied to provide current for the core during suspend.
VREN	38	I	Voltage regulator enable: enable active LOW; disable active HIGH
X2	60	O	12-MHz crystal output
X1	61	I	12-MHz crystal input

† During normal operation, the internal 3.3- to 1.8-V voltage regulator of the TUSB2136 is enabled and provides power to the core. To save power during the suspend mode, the internal regulator is disabled. In this case, the pin becomes an input, and a simple external power source is required to provide power to the core. This source needs to supply a very limited amount of power (10  $\mu$ A maximum) within the voltage range of 1 V to 1.95 V.

NOTE 1: The MCU treats the outputs as open-drain types in that the output can be driven low continuously, but a high output is driven for two clock cycles and then the output is placed in a high-impedance state.

TEST0	TEST1	FUNCTION
0	0	Selects 48-MHz clock input (from an oscillator or other onboard clock source)
0	1	Reserved for testing purposes
1	0	Reserved for testing purposes
1	1	Selects 12-MHz crystal as clock source (default)

## 1.6 Revision History

Version	Date	Changes
	Dec-2000	Initial Release
A	Feb-2001	<ol style="list-style-type: none"> <li>1. Clarified pin descriptions for P3.2 (56), P3.3 (55), and VDDOUT (37).</li> <li>2. Add red/write capability for each of the register bits.</li> <li>3. Corrected Quiescent and Suspend current figures in Table 3.3.</li> <li>4. Added Section 4.2 Reset Timing</li> <li>5. Added NOTE to cover page.</li> </ol>
B	Jun-2002	<ol style="list-style-type: none"> <li>1. Changed name of pin 37 from VDDOUT to VDD18 and enhanced pin description.</li> <li>2. Removed NOTE from cover page.</li> </ol>
C	Apr-2003	<ol style="list-style-type: none"> <li>1. Simplified Terminal Function Table for GPIO Ports</li> <li>2. Clarified GPIO Port 3 pin descriptions in Terminal Function Table</li> <li>3. Clarified functional description for Pins S2 and S3 (8 &amp; 9)</li> <li>4. Clarified TEST0 &amp; TEST1 (14 &amp; 15) pin functions in Terminal Functions Table</li> <li>5. Added note on open-drain output pins for Terminal Functions Table</li> <li>6. Added additional note for operation of VDD18 (pin 37) to Terminal Functions Table.</li> <li>7. Removed most references to ROM version including Fig 2.2.</li> <li>8. Added USB Logo to Cover page</li> </ol>



**Distributor of Texas Instruments: Excellent Integrated System Limited**

Datasheet of TUSB2136PM - IC USB HUB I/O CONTROL 64-LQFP

Contact us: [sales@integrated-circuit.com](mailto:sales@integrated-circuit.com) Website: [www.integrated-circuit.com](http://www.integrated-circuit.com)

---

## 2 Functional Description

### 2.1 MCU Memory Map

Figure 2–1 illustrates the MCU memory map under boot and normal operation. It must be noted that the internal 256 bytes of IDATA are not shown since it is assumed to be in the standard 8052 location (0000 to 00FF). The shaded areas represent the internal ROM/RAM. For more information regarding the integrated 8052, see the *TUSBxxxx Microcontroller Reference Guide* (SLLU044).

When the SDW bit = 0 (boot mode): The 6K ROM is mapped to address (0000–17FF) and is duplicated in location (8000–97FF) in code space. The internal 8K RAM is mapped to address range (0000–1FFF) in data space. Buffers, memory-mapped registers (MMRs), and I/O are mapped to address range (FD80–FFFF) in data space.

When the SDW bit = 1 (normal mode): The 6K ROM is mapped to (8000–97FF) in code space. The internal 8K RAM is mapped to address range (0000–1FFF) code space. Buffers, MMR, and I/O are mapped to address range (FD80–FFFF) in data space.

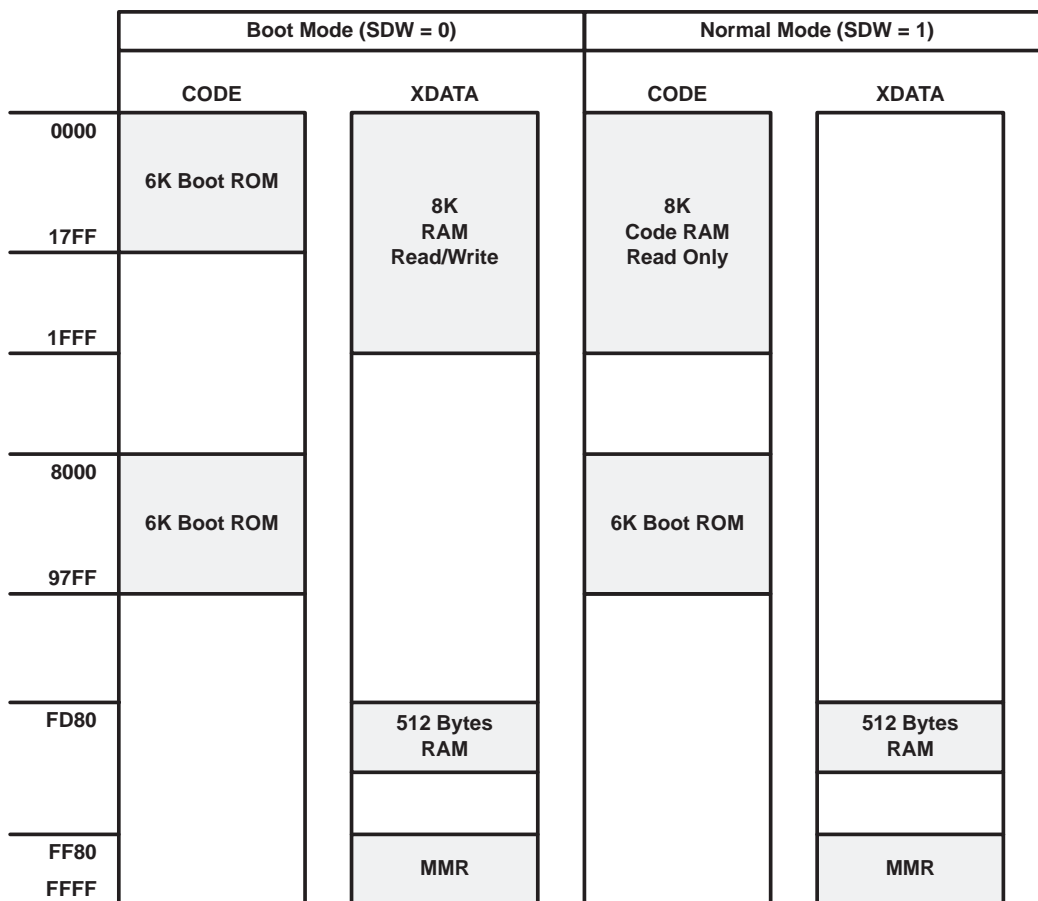


Figure 2–1. MCU Memory Map (TUSB2136B)

### 2.2 Miscellaneous Registers

#### 2.2.1 TUSB2136 Boot Operation

Because the code space is in RAM (with the exception of the boot ROM), the TUSB2136 firmware must be loaded from an external source. Two options for booting are available: an external serial EEPROM source connected to the

I<sup>2</sup>C bus, or the host can be used via the USB. On device reset, the SDW bit (in the ROM register) and the CONT bit in the USB control register (USBCTL) are cleared. This configures the memory space to boot mode (see memory map, Table 2–2) and keeps the device *disconnected* from the host.

The first instruction is fetched from location 0000 (which is in the 6K ROM). The 8K RAM is mapped to XDATA space (location 0000h). The MCU executes a read from an external EEPROM and tests to see if it contains the code (test for boot signature). If it contains the code, the MCU reads from EEPROM and writes to the 8K RAM in XDATA space. If not, the MCU proceeds to boot from USB.

Once the code is loaded, the MCU sets SDW to 1. This switches the memory map to normal mode, i.e. the 8K RAM is mapped to code space, and the MCU starts executing from location 0000h. Once the switch is done, the MCU sets CONT to 1 (in the USBCTL register) This *connects* the device to the USB, resulting in the normal USB device enumeration.

### 2.2.2 MCNFG: MCU Configuration Register

This register is used to control the MCU clock rate.

7	6	5	4	3	2	1	0
RSV	XINT	OVCE	R3	R2	R1	R0	SDW
R/W	R/W	R/W	R/O	R/O	R/O	R/O	R/W

BIT	NAME	RESET	FUNCTION	
0	SDW	0	This bit enables/disables boot ROM.	
			SDW = 0	When clear, the MCU executes from the 6K boot ROM space. The boot ROM appears in two locations: 0000 and 8000h. The 8K RAM is mapped to XDATA space; therefore, read/write operation is possible. This bit is set by the MCU after the RAM load is completed. The MCU cannot clear this bit. It is cleared on power-up reset or function reset.
			SDW = 1	When set by MCU, the 6K boot ROM maps to location 8000h, and the 8K RAM is mapped to code space, starting at location 0000h. At this point, the MCU executes from RAM, and write operation is disabled (no write operation is possible in code space).
4–1	R[3:0]	No effect	These bits reflect the device revision number.	
5	OVCE	0	Hub overcorrect detection enable/disable bit.	
			OVCE = 0	Hub overcorrect detection is disabled.
			OVCE = 1	Hub overcorrect detection is enabled.
6	XINT	0	INT1 source control bit	
			XINT = 0	INT1 is connected to the P3.3 pin and operates as a standard INT1 interrupt.
			XINT = 1	INT1 is connected to the OR of port-2 inputs.
7	RSV	0	Reserved	

### 2.2.3 PUR\_n: GPIO Pullup Register for Port n (n = 0 to 3)

PUR\_0: GPIO pullup register for port 0

PUR\_1: GPIO pullup register for port 1

PUR\_2: GPIO pullup register for port 2

PUR\_3: GPIO pullup register for port 3

7	6	5	4	3	2	1	0
PORT_n.7	PORT_n.6	PORT_n.5	PORT_n.4	PORT_n.3	PORT_n.2	PORT_n.1	PORT_n.0
R/W	R/W	R/W	R/W	R/W	R/W	R/W	R/W

BIT	NAME	RESET	FUNCTION
0–7	PORT_n.N (N = 0 to 7)	0	The MCU can write to this register. If the MCU sets this bit to 1, the pullup resistor is disconnected from the pin. If the MCU clears this bit to 0, the pullup resistor is connected to the pin. The pullup resistor is connected to the V <sub>CC</sub> power supply.

### 2.2.4 INTCFG: Interrupt Configuration

7	6	5	4	3	2	1	0
RSV	RSV	RSV	RSV	I3	I2	I1	I0
R/O	R/O	R/O	R/O	R/W	R/W	R/W	R/W

BIT	NAME	RESET	FUNCTION
0-3	I[3:0]	0010	The MCU can write to this register to set the interrupt delay time for port 2 on the MCU. The value of the lower nibble represents the delay in ms. Default after reset is 2 ms.
4-7	RSV	0	Reserved

### 2.2.5 WDCSR: Watchdog Timer, Control, and Status Register

A watchdog timer (WDT) with 1-ms clock is provided. The watchdog timer only works when a USB start-of-frame has been detected by the TUSB3210. If this register is not accessed for a period of 32 ms, the WDT counter resets the MCU (see Figure 2-2, Reset Diagram). When the IDL bit in PCON is set, the WDT is suspended until an interrupt is detected. At this point, the IDL bit is cleared and the WDT resumes operation. The WDE bit of this register is cleared only on power-up or USB reset (if enabled). When the MCU writes a 1 to the WDE bit of this register the WDT starts running.

7	6	5	4	3	2	1	0
WDE	WDR	RSV	RSV	RSV	RSV	RSV	WDT
R/W	R/W	R/O	R/O	R/O	R/O	R/O	W/O

BIT	NAME	RESET	FUNCTION	
0	WDT	0	The MCU must write a 1 to this bit to prevent the WDT from resetting the MCU. If MCU does not write a 1 in a period of 31 ms, the WDT resets the device. Writing a 0 has no effect on the WDT. (The WDT is a 5-bit counter using a 1-ms CLK). This bit is read as 0.	
5-1	RSV	0	Reserved	
6	WDR	0	Watchdog reset indication bit. This bit indicates if the reset occurred due to power-on reset or watchdog timer reset.	
			WDR = 0	A power-up or USB reset occurred.
			WDR = 1	A watchdog time-out reset occurred. To clear this bit, the MCU must write a 1. Writing a 0 has no effect.
7	WDE	0	Watchdog timer enable	
			WDE = 0	Disabled
			WDE = 1	Enabled



### 2.2.6 PCON: Power Control Register (at SFR 87h)

7	6	5	4	3	2	1	0
SMOD	RSV	RSV	RSV	GF1	GF0	RSV	IDL
R/W	R/O	R/O	R/O	R/W	R/W	R/O	R/W

BIT	NAME	RESET	FUNCTION	
0	IDL	0	MCU idle mode bit. This bit can be set by the MCU and is cleared only by the $\overline{\text{INT1}}$ interrupt.	
			IDL = 0	The MCU is not in idle mode. This bit is cleared by the $\overline{\text{INT1}}$ interrupt logic when $\overline{\text{INT1}}$ is asserted for at least 400 $\mu\text{s}$ .
			IDL = 1	The MCU is in idle mode and RAM is in low-power mode. The oscillator/APLL is off and the WDT is suspended. When in suspend mode, only $\overline{\text{INT1}}$ can be used to exit from the idle state and generate an interrupt. $\overline{\text{INT1}}$ must be asserted for at least 400 $\mu\text{s}$ for the interrupt to be recognized.
1	RSV	0	Reserved	
3-2	GF[1:0]	00	General-purpose bits. The MCU can write and read them.	
6-4	RSV	0	Reserved	
7	SMOD	0	Double baud-rate control bit. For more information see the UART serial interface in the M8052 core specification.	

### 2.3 Buffers + I/O RAM Map

The address range from FD80 to FFFF is reserved for data buffers, setup packet, endpoint descriptor blocks (EDB), and all I/O. RAM space of 512 bytes [FD80–FF7F] is used for EDB and buffers. The FF80–FFFF range is used for memory-mapped registers (MMR). Table 2-1 represents the internal XDATA space allocation.

Table 2-1. XDATA Space

DESCRIPTION	ADDRESS RANGE	
Internal memory mapped registers (MMR)	FFFF	<b>512 -Byte RAM</b>
	↑	
Endpoint descriptor blocks (EDB)	FF80	
	FF7F	
	↑	
Setup packet buffer	FF08	
	FF07	
Input endpoint-0 buffer	↑	
	FEFF	
	FEF8	
Output endpoint-0 buffer	FEF7	
	↑	
	FEF0	
Data buffers (368 bytes)	FEFF	
	↑	
	FD80	

**Table 2–2. Memory-Mapped Registers Summary (XDATA Range = FF80 → FFFF)**

ADDRESS	REGISTER	DESCRIPTION
FFFF	FUNADR	FUNADR: Function address register
FFFE	USBSTA	USBSTA: USB status register
FFFD	USBMSK	USBMSK: USB interrupt mask register
FFFC	USBCTL	USBCTL: USB control register
FFFB	HUBVIDH	HUBVIDH: HUB-VID register (high-byte)
FFFA	HUBVIDL	HUBVIDL: HUB-VID register (low-byte)
FFF9	HUBPIDH	HUBPIDH: HUB-PID register (high-byte)
FFF8	HUBPIDL	HUBPIDL: HUB-PID register (low-byte)
FFF7	HUBCNFG	HUBCNFG: HUB-configuration register
FFF6	VIDSTA	VIDSTA: VID/PID status register
FFF5	HUBPOTG	HUBPOTG: HUB power-on to power-good descriptor register
FFF4	HUBCURT	HUBCURT: HUB current descriptor register
FFF3	I2CADR	I2CADR: I <sup>2</sup> C address register
FFF2	I2CDAI	I2CDAI: I <sup>2</sup> C data-input register
FFF1	I2CDAO	I2CDAO: I <sup>2</sup> C data-output register
FFF0	I2CSTA	I2CSTA: I <sup>2</sup> C status and control register
↑	RESERVED	
FF97	PUR3	Port 3 pullup resistor register
FF96	PUR2	Port 2 pullup resistor register
FF95	PUR1	Port 1 pullup resistor register
FF94	PUR0	Port 0 pullup resistor register
FF93	WDCSR	WDCSR: Watchdog timer, control and status register
FF92	VECINT	VECINT: Vector interrupt register
FF91	RESERVED	
FF90	MCNFG	MCNFG: MCU configuration register
↑	RESERVED	
FF84	INTCFG	INTCFG: Interrupt delay configuration register
FF83	OEPCNT_0	OEPCNT_0: Output endpoint-0 byte count register
FF82	OEPCNFG_0	OEPCNFG_0: Output endpoint-0 configuration register
FF81	IEPCNT_0	IEPCNT_0: Input endpoint-0 byte count register
FF80	IEPCNFG_0	IEPCNFG_0: Input endpoint-0 configuration register

## 2.4 Endpoint Descriptor Block (EDB-1 to EDB-3)

Data transfers between USB, MCU and external devices are defined by an endpoint descriptor block (EDB). Four input and four output EDBs are provided. With the exception of EDB-0 (I/O endpoint 0), all EDBs are located in SRAM as shown in Table 2–3. Each EDB contains information describing the X and Y buffers. In addition, it provides general status information.

**Table 2–3. EDB and Buffer Allocations in XDATA**

ADDRESS	SIZE	DESCRIPTION
FF7F ↑ FF60	32 bytes	RESERVED
FF5F ↑ FF58	8 bytes	Input endpoint 3: configuration
FF57 ↑ FF50	8 bytes	Input endpoint 2: configuration
FF4F ↑ FF48	8 bytes	Input endpoint 1: configuration
FF47 ↑ FF20	40 bytes	RESERVED
FF1F ↑ FF18	8 bytes	Output endpoint 3: configuration
FF17 ↑ FF10	8 bytes	Output endpoint 2: configuration
FF0F ↑ FF08	8 bytes	Output endpoint 1: configuration
FF07 ↑ FF00	8 bytes	Setup packet block
FEFF ↑ FEF8	8 bytes	Input endpoint 0: buffer
FEF7 ↑ FEF0	8 bytes	Output endpoint 0: buffer
FEFF ↑     FD80	368 bytes	Top of buffer space  Buffers space  Start of buffer space

Table 2–4 illustrates the EDB entries for EDB-1 to EDB-3. EDB-0 registers are described separately.

**Table 2–4. EDB Entries in RAM (n = 1 to 3)**

Offset	ENTRY NAME	DESCRIPTION
07	EPSIZXY_n	I/O endpoint_n: X/Y buffer size
06	EPBCTY_n	I/O endpoint_n: Y byte count
05	EPBBAY_n	I/O endpoint_n: Y buffer base address
04	SPARE	Not used
03	SPARE	Not used
02	EPBCTX_n	I/O endpoint_n: X byte count
01	EPBBAX_n	I/O endpoint_n: X buffer base address
00	EPCNF_n	I/O endpoint_n: configuration

### 2.4.1 OEPCNF\_n: Output Endpoint Configuration (n = 1 to 3)

7	6	5	4	3	2	1	0
UBME	ISO	TOGGLE	DBUF	STALL	USBIE	RSV	RSV
R/W	R/W	R/W	R/W	R/W	R/W	R/O	R/O

BIT	NAME	RESET	FUNCTION	
1–0	RSV	x	Reserved = 0	
2	USBIE	x	USB interrupt enable on transaction completion. Set/clear by MCU.	
			USBIE = 0	No interrupt
			USBIE = 1	Interrupt on transaction completion
3	STALL	0	USB stall condition indication. Set/clear by MCU.	
			STALL = 0	No stall
			STALL = 1	USB stall condition. If set by the MCU, a STALL handshake is initiated and the bit is cleared by the MCU.
4	DBUF	x	Double buffer enable. Set/clear by MCU.	
			DBUF = 0	Primary buffer only (X-buffer only)
			DBUF = 1	Toggle bit selects buffer
5	TOGGLE	x	USB toggle bit. This bit reflects the toggle sequence bit of DATA0, DATA1	
6	ISO	x	ISO = 0 Non-isochronous transfer. This bit must be cleared by the MCU because only non-isochronous transfer is supported.	
7	UBME	x	USB buffer manager (UBM) enable/disable bit. Set/clear by MCU.	
			UBME = 0	UBM cannot use this endpoint.
			UBME = 1	UBM can use this endpoint.

### 2.4.2 OEPBBAX\_n: Output Endpoint X-Buffer Base-Address (n = 1 to 3)

7	6	5	4	3	2	1	0
A <sub>10</sub>	A <sub>9</sub>	A <sub>8</sub>	A <sub>7</sub>	A <sub>6</sub>	A <sub>5</sub>	A <sub>4</sub>	A <sub>3</sub>
R/W	R/W	R/W	R/W	R/W	R/W	R/W	R/W

BIT	NAME	RESET	FUNCTION
7–0	A[10:3]	x	A[10:3] of X-buffer base address (padded with 3 LSB of zeros for a total of 11-bits). This value is set by the MCU. UBM or DMA uses this value as the start address of a given transaction. Furthermore, UBM or DMA does not change this value at the end of a transaction.

### 2.4.3 OEPBCTX\_n: Output Endpoint X-Byte Count (n = 1 to 3)

7	6	5	4	3	2	1	0
NAK	C <sub>6</sub>	C <sub>5</sub>	C <sub>4</sub>	C <sub>3</sub>	C <sub>2</sub>	C <sub>1</sub>	C <sub>0</sub>
R/W	R/W	R/W	R/W	R/W	R/W	R/W	R/W

BIT	NAME	RESET	FUNCTION
6-0	C[6:0]	x	<b>X-buffer byte count:</b> 000 0000b → Count = 0 000 0001b → Count = 1 byte : 011 1111b → Count = 63 bytes 100 0000b → Count = 64 bytes Any value ≥ 100 0001b produces unpredictable results.
7	NAK	x	NAK= 0 No valid data in buffer. Ready for host out NAK= 1 Buffer contains a valid packet from host (host-out request is NAK)

### 2.4.4 OEPBBAY\_n: Output Endpoint Y-Buffer Base-Address (n = 1 to 3)

7	6	5	4	3	2	1	0
A <sub>10</sub>	A <sub>9</sub>	A <sub>8</sub>	A <sub>7</sub>	A <sub>6</sub>	A <sub>5</sub>	A <sub>4</sub>	A <sub>3</sub>
R/W	R/W	R/W	R/W	R/W	R/W	R/W	R/W

BIT	NAME	RESET	FUNCTION
7-0	A[10:3]	x	A[10:3] of Y-buffer base address (padded with 3 LSB of zeros for a total of 11 bits). This value is set by the MCU. UBM or DMA uses this value as the start address of a given transaction. Furthermore, UBM or DMA does not change this value at the end of a transaction.

### 2.4.5 OEPBCTY\_n: Output Endpoint Y-Byte Count (n = 1 to 3)

7	6	5	4	3	2	1	0
NAK	C <sub>6</sub>	C <sub>5</sub>	C <sub>4</sub>	C <sub>3</sub>	C <sub>2</sub>	C <sub>1</sub>	C <sub>0</sub>
R/W	R/W	R/W	R/W	R/W	R/W	R/W	R/W

BIT	NAME	RESET	FUNCTION
6-0	C[6:0]	x	<b>Y-buffer byte count:</b> 000 0000b → Count = 0 000 0001b → Count = 1 byte : 011 1111b → Count = 63 bytes 100 0000b → Count = 64 bytes Any value ≥ 100 0001b produces unpredictable results.
7	NAK	x	NAK= 0 No valid data in buffer. Ready for host out NAK= 1 Buffer contains a valid packet from host (host-out request is NAK)

### 2.4.6 OEPSIZXY\_n: Output Endpoint X-/Y-Byte Count (n = 1 to 3)

7	6	5	4	3	2	1	0
RSV	S <sub>6</sub>	S <sub>5</sub>	S <sub>4</sub>	S <sub>3</sub>	S <sub>2</sub>	S <sub>1</sub>	S <sub>0</sub>
R/O	R/W	R/W	R/W	R/W	R/W	R/W	R/W

BIT	NAME	RESET	FUNCTION
6-0	S[6:0]	x	<b>X- and Y-buffer size:</b> 000 0000b → Count = 0 000 0001b → Count = 1 byte : 011 1111b → Count = 63 bytes 100 0000b → Count = 64 bytes Any value ≥ 100 0001b produces unpredictable results.
7	RSV	x	Reserved = 0

### 2.4.7 IEPCNF\_n: Input Endpoint Configuration (n = 1 to 3)

7	6	5	4	3	2	1	0
UBME	ISO	TOGGLE	DBUF	STALL	USBIE	RSV	RSV
R/W	R/W	R/W	R/W	R/W	R/W	R/O	R/O

BIT	NAME	RESET	FUNCTION
1-0	RSV	x	Reserved = 0
2	USBIE	x	USB interrupt enable on transaction completion USBIE = 0   No interrupt USBIE = 1   Interrupt on transaction completion
3	STALL	0	USB stall condition indication. Set by UBM, but can be set/cleared by the MCU. STALL = 0   No stall STALL = 1   USB stall condition. If set by the MCU, a STALL handshake is initiated and the bit is cleared automatically.
4	DBUF	x	Double buffer enable DBUF = 0   Primary buffer only (X-buffer only) DBUF = 1   Toggle bit selects buffer
5	TOGGLE	x	USB toggle bit. This bit reflects the toggle sequence bit of DATA0, DATA1
6	ISO	x	ISO = 0   Non-isochronous transfer. This bit must be cleared by the MCU because only non-isochronous transfer is supported.
7	UBME	x	UBM enable/disable bit. Set/clear by MCU. UBME = 0   UBM cannot use this endpoint. UBME = 1   UBM can use this endpoint.

### 2.4.8 IEPBAX\_n: Input Endpoint X-Buffer Base-Address (n = 1 to 3)

7	6	5	4	3	2	1	0
A <sub>10</sub>	A <sub>9</sub>	A <sub>8</sub>	A <sub>7</sub>	A <sub>6</sub>	A <sub>5</sub>	A <sub>4</sub>	A <sub>3</sub>
R/W	R/W	R/W	R/W	R/W	R/W	R/W	R/W

BIT	NAME	RESET	FUNCTION
7-0	A[10:3]	x	A[10:3] of X-buffer base address (padded with 3 LSB of zeros for a total of 11 bits). This value is set by the MCU. UBM or DMA uses this value as the start-address of a given transaction. Furthermore, UBM or DMA does not change this value at the end of a transaction.

### 2.4.9 IEPBCTX\_n: Input Endpoint X-Byte Count (n = 1 to 3)

7	6	5	4	3	2	1	0
NAK	C <sub>6</sub>	C <sub>5</sub>	C <sub>4</sub>	C <sub>3</sub>	C <sub>2</sub>	C <sub>1</sub>	C <sub>0</sub>
R/W	R/W	R/W	R/W	R/W	R/W	R/W	R/W

BIT	NAME	RESET	FUNCTION
6-0	C[6:0]	x	<b>X-buffer byte count:</b> 000 0000b → Count = 0 000 0001b → Count = 1 byte : 011 1111b → Count = 63 bytes 100 0000b → Count = 64 bytes Any value ≥ 100 0001b produces unpredictable results.
7	NAK	x	NAK = 0 Buffer contains a valid packet for host-in transaction NAK = 1 Buffer is empty (host-in request is NAK)

### 2.4.10 IEPBBAY\_n: Input Endpoint Y-Buffer Base-Address (n = 1 to 3)

7	6	5	4	3	2	1	0
A <sub>10</sub>	A <sub>9</sub>	A <sub>8</sub>	A <sub>7</sub>	A <sub>6</sub>	A <sub>5</sub>	A <sub>4</sub>	A <sub>3</sub>
R/W	R/W	R/W	R/W	R/W	R/W	R/W	R/W

BIT	NAME	RESET	FUNCTION
7-0	A[10:3]	x	A[10:3] of Y-buffer base address (padded with 3 LSB of zeros for a total of 11 bits). This value is set by the MCU. UBM or DMA uses this value as the start-address of a given transaction. Furthermore, UBM or DMA does not change this value at the end of a transaction.

### 2.4.11 IEPBCTY\_n: Input Endpoint Y-Byte Count (n = 1 to 3)

7	6	5	4	3	2	1	0
NAK	C <sub>6</sub>	C <sub>5</sub>	C <sub>4</sub>	C <sub>3</sub>	C <sub>2</sub>	C <sub>1</sub>	C <sub>0</sub>
R/W	R/W	R/W	R/W	R/W	R/W	R/W	R/W

BIT	NAME	RESET	FUNCTION
6-0	C[6:0]	x	<b>Y-buffer byte count:</b> 000 0000b → Count = 0 000 0001b → Count = 1 byte : 011 1111b → Count = 63 bytes 100 0000b → Count = 64 bytes Any value ≥ 100 0001b produces unpredictable results.
7	NAK	x	NAK = 0 Buffer contains a valid packet for host-in transaction NAK = 1 Buffer is empty (host-in request is NAK)

### 2.4.12 IEPSIZXY\_n: Input Endpoint X-/Y-Buffer Size (n = 1 to 3)

7	6	5	4	3	2	1	0
RSV	S <sub>6</sub>	S <sub>5</sub>	S <sub>4</sub>	S <sub>3</sub>	S <sub>2</sub>	S <sub>1</sub>	S <sub>0</sub>
R/O	R/W	R/W	R/W	R/W	R/W	R/W	R/W

BIT	NAME	RESET	FUNCTION
6-0	S[6:0]	x	<b>X- and Y-buffer size:</b> 000 0000b → Count = 0 000 0001b → Count = 1 byte : 011 1111b → Count = 63 bytes 100 0000b → Count = 64 bytes Any value ≥ 100 0001b produces unpredictable results.
7	RSV	x	Reserved = 0

## 2.5 Endpoint-0 Descriptor Registers

Unlike EDB-1 to EDB-3, which are defined as memory entries in SRAM, endpoint-0 is described by a set of 4 registers (two for output and two for input). Table 2-5 defines the registers and their respective addresses used for EDB-0 description. EDB-0 has no *Base-Address Register*, because these addresses are hardwired to FEF8 and FEF0. Note that the bit positions have been preserved to provide consistency with EDB-n (n = 1 to 3).

Table 2-5. Input/Output EDB-0 Registers

ADDRESS	REGISTER NAME	DESCRIPTION	BASE ADDRESS
FF83	OEPBCNT_0	Output endpoint-0: byte-count register	
FF82	OEPCNFG_0	Output endpoint-0: configuration register	FEF0
FF81	IEPBCNT_0	Input endpoint-0: byte-count register	
FF80	IEPCNFG_0	Input endpoint-0: configuration register	FEF8

### 2.5.1 IEPCNFG\_0: Input Endpoint-0 Configuration Register

7	6	5	4	3	2	1	0
UBME	RSV	TOGGLE	RSV	STALL	USBIE	RSV	RSV
R/W	R/O	R/O	R/O	R/W	R/W	R/O	R/O

BIT	NAME	RESET	FUNCTION	
1-0	RSV	0	Reserved = 0	
2	USBIE	0	USB interrupt enable on transaction completion. Set/clear by MCU.	
			USBIE = 0	No interrupt
			USBIE = 1	Interrupt on transaction completion
3	STALL	0	USB stall condition indication. Set/clear by MCU.	
			STALL = 0	No stall
			STALL = 1	USB stall condition. If set by the MCU, a STALL handshake is initiated and the bit is cleared automatically by the next setup transaction.
4	RSV	0	Reserved = 0	
5	TOGGLE	0	USB toggle bit. This bit reflects the toggle sequence bit of DATA0, DATA1.	
6	RSV	0	Reserved = 0	
7	UBME	0	UBM enable/disable bit. Set/clear by MCU.	
			UBME = 0	UBM cannot use this endpoint.
			UBME = 1	UBM can use this endpoint.



### 2.5.2 IEPBCNT\_0: Input Endpoint-0 Byte Count Register

7	6	5	4	3	2	1	0
NAK	RSV	RSV	RSV	C <sub>3</sub>	C <sub>2</sub>	C <sub>1</sub>	C <sub>0</sub>
R/W	R/O	R/O	R/O	R/W	R/W	R/W	R/W

BIT	NAME	RESET	FUNCTION
3-0	C[3:0]	0000	<b>Byte count:</b> 0000b → Count = 0 : 0111b → Count = 7 1000b → Count = 8 1001b to 1111b are reserved. (If used, defaults to 8)
6-4	RSV	0	Reserved = 0
7	NAK	1	NAK= 0 Buffer contains a valid packet for host-in transaction. NAK= 1 Buffer is empty (host-in request is NAK).

### 2.5.3 OEPCNFG\_0: Output Endpoint-0 Configuration Register

7	6	5	4	3	2	1	0
UBME	RSV	TOGGLE	RSV	STALL	USBIE	RSV	RSV
R/W	R/O	R/O	R/O	R/W	R/W	R/O	R/O

BIT	NAME	RESET	FUNCTION	
1-0	RSV	0	Reserved = 0	
2	USBIE	0	USB interrupt enable on transaction completion. Set/clear by MCU.	
			USBIE = 0	No interrupt
			USBIE = 1	Interrupt on transaction completion
3	STALL	0	USB stall condition indication. Set/clear by MCU.	
			STALL = 0	No stall
			STALL = 1	USB stall condition. If set by the MCU, a STALL handshake is initiated and the bit is cleared automatically.
4	RSV	0	Reserved = 0	
5	TOGGLE	0	USB toggle bit. This bit reflects the toggle sequence bit of DATA0, DATA1.	
6	RSV	0	Reserved = 0	
7	UBME	0	UBM enable/disable bit. Set/clear by MCU.	
			UBME = 0	UBM cannot use this endpoint.
			UBME = 1	UBM can use this endpoint.

### 2.5.4 OEPBCNT\_0: Output Endpoint-0 Byte Count Register

7	6	5	4	3	2	1	0
NAK	RSV	RSV	RSV	C <sub>3</sub>	C <sub>2</sub>	C <sub>1</sub>	C <sub>0</sub>
R/W	R/O	R/O	R/O	R/W	R/W	R/W	R/W

BIT	NAME	RESET	FUNCTION
3-0	C[3:0]	0000	<b>Byte count:</b> 0000b → Count = 0 : 0111b → Count = 7 1000b → Count = 8 1001b to 1111b are reserved. (If used, defaults to 8)
6-4	RSV	0	Reserved = 0
7	NAK	1	NAK= 0 No valid data in buffer. Ready for host out NAK= 1 Buffer contains a valid packet from the host (NAK the host).

## 2.6 USB Registers

### 2.6.1 FUNADR: Function Address Register

This register contains the device function address.

7	6	5	4	3	2	1	0
RSV	FA6	FA5	FA4	FA3	FA2	FA1	FA0
R/O	R/W	R/W	R/W	R/W	R/W	R/W	R/W

BIT	NAME	RESET	FUNCTION
6-0	FA[6:0]	0000000	These bits define the current device address assigned to the function. The MCU writes a value to this register as a result of the <i>SET-ADDRESS</i> host command.
7	RSV	0	Reserved = 0

## 2.6.2 USBSTA: USB Status Register

All bits in this register are set by the hardware and are cleared by the MCU when writing a 1 to the proper bit location (writing a 0 has no effect). In addition, each bit can generate an interrupt if its corresponding mask bit is set (R/C notation indicates read and clear only by the MCU).

7	6	5	4	3	2	1	0
RSTR	SUSR	RESR	PWOFF	PWON	SETUP	RSV	STPOW
R/C	R/C	R/C	R/C	R/C	R/C	R/O	R/C

BIT	NAME	RESET	FUNCTION	
0	STPOW	0	SETUP overwrite bit. Set by hardware when a setup packet is received while there is already a packet in the setup buffer.	
			STPOW = 0	The MCU can clear this bit by writing a 1. (Writing a 0 has no effect.)
			STPOW = 1	SETUP overwrite
1	RSV	0	Reserved = 0	
2	SETUP	0	SETUP transaction received bit. As long as SETUP is 1, IN and OUT on endpoint-0 are NAK regardless of the value of their real NAK bits.	
			SETUP = 0	The MCU can clear this bit by writing a 1. (Writing a 0 has no effect.)
			SETUP = 1	SETUP transaction received.
3	PWON	0	Power on request for port 3. This bit indicates if power-on to port 3 has been received. This bit generates a PWON interrupt (if enabled).	
			PWON = 0	The MCU can clear this bit by writing a 1. (Writing a 0 has no effect.)
			PWON = 1	Power on to port 3 has been received.
4	PWOFF	0	Power off request for port 3. This bit indicates whether power-off to port 3 has been received. This bit generates a PWOFF interrupt (if enabled).	
			PWOFF = 0	The MCU can clear this bit by writing a 1. (Writing a 0 has no effect.)
			PWOFF = 1	Power off to port 3 has been received.
5	RESR	0	Function resume request bit	
			RESR = 0	The MCU can clear this bit by writing a 1. (Writing a 0 has no effect.)
			RESR = 1	Function resume is detected.
6	SUSR	0	Function suspended request bit. This bit is set in response to a global or selective suspend condition.	
			SUSR = 0	The MCU can clear this bit by writing a 1. (Writing a 0 has no effect.)
			SUSR = 1	Function suspend is detected.
7	RSTR	0	Function reset request bit. This bit is set in response to the host initiating a port reset. This bit is not affected by a USB function reset.	
			RSTR = 0	The MCU can clear this bit by writing a 1. (Writing a 0 has no effect.)
			RSTR = 1	Function reset is detected.

### 2.6.3 USBMSK: USB Interrupt Mask Register

7	6	5	4	3	2	1	0
RSTR	SUSR	RESR	PWOFF	PWON	SETUP	RSV	STPOW
R/W	R/W	R/W	R/W	R/W	R/W	R/O	R/W

BIT	NAME	RESET	FUNCTION	
0	STPOW	0	SETUP overwrite interrupt enable bit	
			STPOW = 0	STPOW interrupt disabled
			STPOW = 1	STPOW interrupt enabled
1	RSV	0	Reserved = 0	
2	SETUP	0	SETUP interrupt enable bit	
			SETUP = 0	SETUP interrupt disabled
			SETUP = 1	SETUP interrupt enabled
3	PWON	0	Power-on interrupt enable bit	
			PWON = 0	PWON interrupt disabled
			PWON = 1	PWON interrupt enabled
4	PWOFF	0	Power-off interrupt enable bit	
			PWOFF = 0	PWOFF interrupt disabled
			PWON = 1	PWOFF interrupt enabled
5	RESR	0	Function resume interrupt enable	
			RESR = 0	Function resume interrupt disabled
			RESR = 1	Function resume interrupt enabled
6	SUSR	0	Function suspend interrupt enable	
			SUSR = 0	Function suspend interrupt disabled
			SUSR = 1	Function suspend interrupt enabled
7	RSTR	0	Function reset interrupt enable	
			RSTR = 0	Function reset interrupt disabled
			RSTR = 1	Function reset interrupt enabled

## 2.6.4 USBCTL: USB Control Register

Unlike the other registers, this register is cleared by the power-up-reset signal only. The USB reset cannot reset this register (see the reset diagram in Figure 2–2).

7	6	5	4	3	2	1	0
CONT	U1/2	RWUP	FRSTE	RWE	B/S	SIR	DIR
R/W	R/W	R/W	R/W	R/W	R/W	R/W	R/W

BIT	NAME	RESET	FUNCTION	
0	DIR	0	As a response to a setup packet, the MCU decodes the request and sets or clears this bit to reflect the data transfer direction.	
			DIR = 0	USB data OUT transaction (from host to TUSB2136)
			DIR = 1	USB data IN transaction (from TUSB2136 to host)
1	SIR	0	SETUP interrupt status bit. This bit is controlled by the MCU to indicate to the hardware when SETUP interrupt is being served.	
			SIR = 0	SETUP interrupt is not served. The MCU clears this bit before exiting the SETUP interrupt routine.
			SIR = 1	SETUP interrupt is in progress. The MCU sets this bit when servicing the SETUP interrupt.
2	B/S	0	Bus/self power control bit	
			B/S = 0	The device is bus powered.
			B/S = 1	The device is self powered.
3	RWE	0	Remote wake-up enable bit	
			RWE = 0	The MCU clears this bit when the host sends a command to clear the feature.
			RWE = 1	The MCU writes 1 to this bit when the host sends <i>set device feature command</i> to enable the remote wake-up feature.
4	FRSTE	1	Function reset connection bit. This bit connects/disconnects the USB function reset from the MCU reset.	
			FRSTE = 0	Function reset is not connected to MCU reset.
			FRSTE = 1	Function reset is connected to MCU reset.
5	RWUP	0	Device remote wake-up request. This bit is set by the MCU and is cleared automatically.	
			RWUP = 0	Writing a 0 to this bit has no effect.
			RWUP = 1	When the MCU writes a 1, a remote wake-up pulse is generated.
6	U1/2	0	USB hub version	
			U1/2 = 0	This is a USB1.x hub.
			U1/2 = 1	This is a USB2.x hub.
7	CONT	0	Connect/disconnect bit	
			CONT = 0	Upstream port is disconnected. Pullup disabled.
			CONT = 1	Upstream port is connected. Pullup enabled.

### 2.6.5 HUBCNFG: Hub Configuration Register

7	6	5	4	3	2	1	0
OCP	I/G	P3.1	P3.0	P2A	P2E	P1A	P1E
R/W	R/W	R/W	R/W	R/W	R/W	R/W	R/W

BIT	NAME	RESET	FUNCTION	
0	P1E	0	Hub port-1 enable/disable control bit	
			P1E = 0	Port 1 is disabled.
			P1E = 1	Port 1 is enabled.
1	P1A	0	Hub port-1; permanent attachment control bit.	
			P1A = 0	Port 1 is connected to a removable function.
			P1A = 1	Port 1 is connected to a permanent attachment function.
2	P2E	0	Hub port-2 enable/disable control bit	
			P2E = 0	Port 2 is disabled.
			P2E = 1	Port-2 is enabled.
3	P2A	0	Hub port-2 permanent-attachment control bit	
			P2A = 0	Port 2 is connected to a removable function.
			P2A = 1	Port 2 is connected to a permanent-attachment function.
5-4	P3[1:0]	00	Hub port-3 embedded-function control field 00b = Port 3 is disabled (doesn't exist). 01b = Port 3 is permanently attached. 10b = Port 3 is connected to a removable function, but is not attached. 11b = Port 3 is connected to a removable function, and is attached.	
6	I/G	0	Individual/gang power control bit	
			I/G = 0	Overcurrent and power control are controlled individually.
			I/G = 1	Overcurrent and power control are gang controlled.
7	OCP	0	Overcurrent protection control bit	
			OCP = 0	Overcurrent protection is disabled.
			OCP = 1	Overcurrent protection is enabled.

### 2.6.6 HUBPOTG: Hub Power-On to Power-Good Descriptor Register

7	6	5	4	3	2	1	0
D7	D6	D5	D4	D3	D2	D1	D0
R/W	R/W	R/W	R/W	R/W	R/W	R/W	R/W

BIT	NAME	RESET	FUNCTION
7-0	D[7:0]	00h	Offset-5 in hub descriptor table

### 2.6.7 HUBCURT: Hub Current Descriptor Register

7	6	5	4	3	2	1	0
D7	D6	D5	D4	D3	D2	D1	D0
R/W	R/W	R/W	R/W	R/W	R/W	R/W	R/W

BIT	NAME	RESET	FUNCTION
7-0	D[7:0]	00h	Offset-6 in hub descriptor table

### 2.6.8 HUBPIDL: Hub PID Register (Low-Byte)

7	6	5	4	3	2	1	0
D7	D6	D5	D4	D3	D2	D1	D0
R/W	R/W	R/W	R/W	R/W	R/W	R/W	R/W

BIT	NAME	RESET	FUNCTION
7-0	D[7:0]	00h	Hub PID low-byte value

### 2.6.9 HUBPIDH: Hub PID Register (High-Byte)

7	6	5	4	3	2	1	0
D15	D14	D13	D12	D11	D10	D9	D8
R/W	R/W	R/W	R/W	R/W	R/W	R/W	R/W

BIT	NAME	RESET	FUNCTION
7-0	D[15:8]	00h	Hub PID high-byte value

### 2.6.10 HUBVIDL: Hub VID Register (Low-Byte)

7	6	5	4	3	2	1	0
D7	D6	D5	D4	D3	D2	D1	D0
R/W	R/W	R/W	R/W	R/W	R/W	R/W	R/W

BIT	NAME	RESET	FUNCTION
7-0	D[7:0]	00h	Hub VID low-byte value

### 2.6.11 HUBVIDH: Hub VID Register (High-Byte)

7	6	5	4	3	2	1	0
D15	D14	D13	D12	D11	D10	D9	D8
R/W	R/W	R/W	R/W	R/W	R/W	R/W	R/W

BIT	NAME	RESET	FUNCTION
7-0	D[15:8]	00h	Hub VID high-byte value

### 2.6.12 VIDSTA: VID/PID Status Register

This register is used to read the value on four external pins. The firmware can use this value to select one of the vendor identification/product identifications (VID/PID) stored in memory. The TUSB2136 supports up to 16 unique VID/PIDs with application code to support different products. This provides a unique opportunity for original equipment manufacturers (OEMs) to have one device to support up to 16 different product lines by using S0–S3 to select VID/PID and behavioral application code for the selected product.

7	6	5	4	3	2	1	0
RSV	RSV	RSV	RSV	S3	S2	S1	S0
R/O	R/O	R/O	R/O	R/O	R/O	R/O	R/O

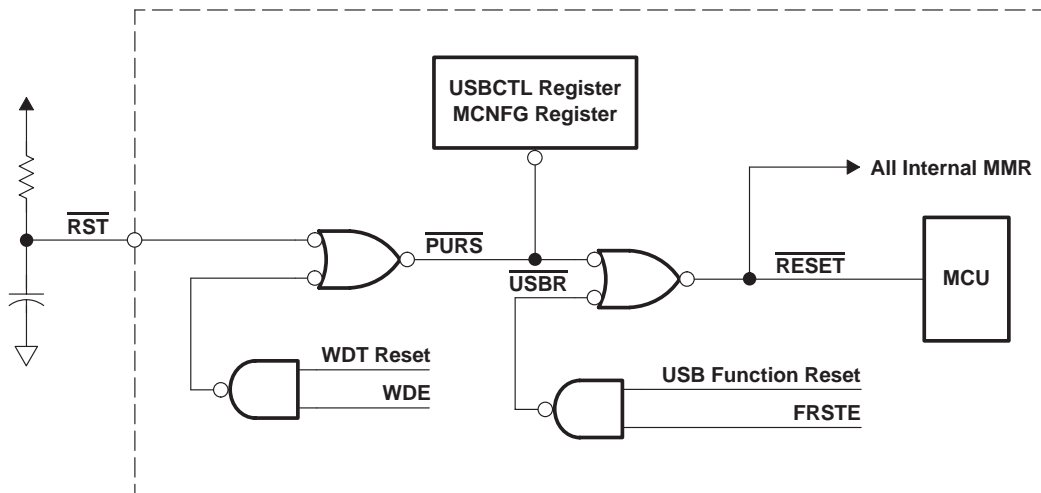
BIT	NAME	RESET	FUNCTION
3-0	S[3:0]	x	VID/PID selection bits. These bits reflect the status of the external pins as defined by Table 2-6. Note that a pin tied low is reflected as a 0 and a pin tied high is reflected as a 1.
7-4	RSV	0	Reserved = 0

**Table 2–6. External Pins Mapping to S[3:0] in VIDSTA Register**

VIDSTA REGISTER	PIN		COMMENTS
	NO.	NAME	
S0	58	P3.0	Dual function, P3.0 I/O or S0 input
S1	57	P3.1	Dual function, P3.1 I/O or S1 input
S2	8	S2	S2-pin is input
S3	9	S3	S3-pin is input

## 2.7 Function Reset and Power-Up Reset Interconnect

Figure 2–2 represents the logical connection of USB-function reset ( $\overline{\text{USBR}}$ ) and power-up reset ( $\overline{\text{RST}}$ ) pins. The internal  $\overline{\text{RESET}}$  signal is generated from the  $\overline{\text{RST}}$  pin ( $\overline{\text{PURS}}$  signal) or from the USB reset ( $\overline{\text{USBR}}$  signal). The  $\overline{\text{USBR}}$  can be enabled or disabled by the FRSTE bit in the USBCTL register (on power up FRSTE = 0). The internal  $\overline{\text{RESET}}$  is used to reset all registers and logic, with the exception of the USBCTL and MISCTL registers. The USBCTL and MCU configuration registers (MCNFG) are cleared by the  $\overline{\text{PURS}}$  signal only.

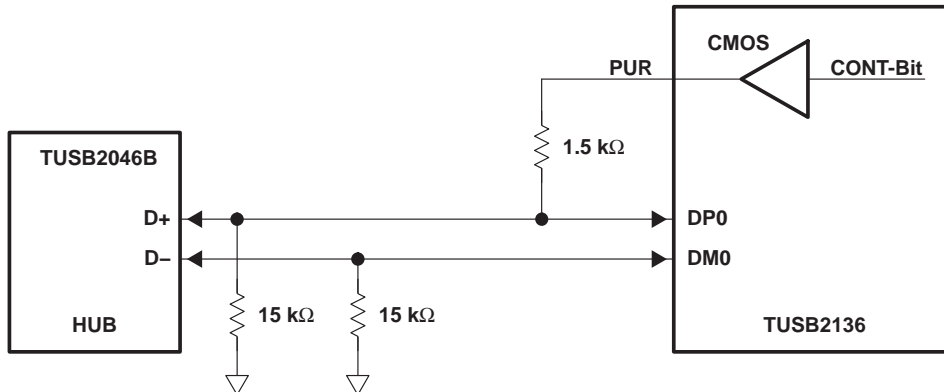


**Figure 2–2. Reset Diagram**

## 2.8 Pullup Resistor Connect/Disconnect

After reading firmware into RAM, the TUSB2136 can reenumerate using the new firmware (no need to physically disconnect and re-connect the cable). Figure 2–3 shows an equivalent circuit implementation for *Connect* and *Disconnect* from a USB upstream port (also see Figure 4–4b). When the CONT bit in the USBCTL register is 1, the CMOS driver sources  $V_{DD}$  to the pullup resistor (PUR pin), presenting a normal connect condition to the USB hub (high speed). When the CONT bit is 0, the PUR pin is driven low. In this state, the 1.5-k $\Omega$  resistor is connected to GND, resulting in device *disconnection* state. The PUR driver is a CMOS driver that can provide  $V_{DD} - 0.1$  V minimum at 8-mA source current.





**Figure 2–3. Pullup Resistor Connect/Disconnect Circuit**

## 2.9 8052 Interrupt and Status Registers

All seven 8052-standard interrupt sources are preserved. SIE is the standard interrupt enable register, which controls the seven interrupt sources. All the additional interrupt sources are connected together as an OR to generate  $\overline{\text{INT0}}$ . The  $\overline{\text{INT0}}$  signal is provided to interrupt the MCU (see interrupt connection diagram, Figure 2–4).

**Table 2–7. 8052 Interrupt Location Map**

INTERRUPT SOURCE	DESCRIPTION	START ADDRESS	COMMENTS
ET2	Timer-2 interrupt	002BH	
ES	UART interrupt	0023H	
ET1	Timer-1 interrupt	001BH	
EX1	Internal $\overline{\text{INT1}}$ or INT1	0013H	Used for P2[7:0] interrupt
ET0	Timer-0 interrupt	000BH	
EX0	Internal $\overline{\text{INT0}}$	0003H	Used for all internal peripherals
Reset		0000H	

### 2.9.1 8052 Standard Interrupt Enable Register

7	6	5	4	3	2	1	0
EA	RSV	ET2	ES	ET1	EX1	ET0	$\overline{INT0}$
R/W	R/O	R/O	R/W	R/W	R/W	R/W	R/W

BIT	NAME	RESET	FUNCTION	
0	$\overline{INT0}$	0	Enable or disable external interrupt-0	
			EX0 = 0	External interrupt-0 is disabled.
			EX0 = 1	External interrupt-0 is enabled.
1	ET0	0	Enable or disable timer-0 interrupt	
			ET0 = 0	Timer-0 interrupt is disabled.
			ET0 = 1	Timer-0 interrupt is enabled.
2	EX1	0	Enable or disable external interrupt-1	
			EX1 = 0	External interrupt-1 is disabled.
			EX1 = 1	External interrupt-1 is enabled.
3	ET1	0	Enable or disable timer-1 interrupt	
			ET1 = 0	Timer-1 interrupt is disabled.
			ET1 = 1	Timer-1 interrupt is enabled.
4	ES	0	Enable or disable serial port interrupts	
			ES = 0	Serial port interrupt is disabled.
			ES = 1	Serial port interrupt is enabled.
5	ET2	0	Enable or disable timer-2 interrupt	
			ET2 = 0	Timer-2 interrupt is disabled.
			ET2 = 1	Timer-2 interrupt is enabled.
6	RSV	0	Reserved	
7	EA	0	Enable or disable all interrupts (global disable)	
			EA = 0	Disable all interrupts.
			EA = 1	Each interrupt source is individually controlled.

### 2.9.2 Additional Interrupt Sources

All nonstandard 8052 interrupts (USB, I<sup>2</sup>C, etc.) are connected as an OR to generate an internal  $\overline{INT0}$ . It must be noted that the external  $\overline{INT0}$  and  $\overline{INT1}$  are not used. Furthermore,  $\overline{INT0}$  must be programmed as an active-low level interrupt (not edge-triggered). A vector interrupt register is provided to identify all interrupt sources (see vector interrupt register definition, Section 2.9.3). Up to 64 interrupt vectors are provided. It is the responsibility of the MCU to read the vector and dispatch the proper interrupt routine.

### 2.9.3 VECINT: Vector Interrupt Register

This register contains a vector value identifying the internal interrupt source that trapped to location 0003h. Writing any value to this register removes the vector and updates the next vector value (if another interrupt is pending). Note that the vector value is offset. Therefore, its value is in increments of two (bit 0 is set to 0). When no interrupt is pending, the vector is set to 00h. Table 2–8 is a table of the vector interrupt values. As shown, the interrupt vector is divided into two fields, I[2:0] and G[3:0]. The I-field defines the interrupt source within a group (on a first-come, first-served basis) and the G-field defines the group number. Group G0 is the lowest and G15 is the highest priority.

7	6	5	4	3	2	1	0
G3	G2	G1	G0	I2	I1	I0	0
R/W	R/W	R/W	R/W	R/W	R/W	R/W	R/O

BIT	NAME	RESET	FUNCTION
3–1	I[2:0]	000	This field defines the interrupt source in a given group. See Table 2–8, <i>Vector Interrupt Values</i> . Bit 0 is always 0; therefore, vector values are offset by two.
7–4	G[3:0]	0000	This field defines the interrupt group. I[2:0] and G[3:0] combine to produce the actual interrupt vector.

**Table 2–8. Vector Interrupt Values**

G[3:0] (Hex)	I[2:0] (Hex)	VECTOR (Hex)	INTERRUPT SOURCE
0	0	00	No interrupt
1	0	10	RESERVED
1	1	12	Output endpoint 1
1	2	14	Output endpoint 2
1	3	16	Output endpoint 3
1	4–7	18–1E	RESERVED
2	0	20	RESERVED
2	1	22	Input endpoint 1
2	2	24	Input endpoint 2
2	3	26	Input endpoint 3
2	4–7	28–2E	RESERVED
3	0	30	STPOW packet received
3	1	32	SETUP packet received
3	2	34	PWON interrupt
3	3	36	PWOFF interrupt
3	4	38	RESR interrupt
3	5	3A	SUSR interrupt
3	6	3C	RSTR interrupt
3	7	3E	RESERVED
4	0	40	I <sup>2</sup> C TXE interrupt
4	1	42	I <sup>2</sup> C RXF interrupt
4	2	44	Input endpoint 0
4	3	46	Output endpoint 0
4	4–7	48 → 4E	RESERVED
5–15	X	90 → FE	RESERVED

### 2.9.4 Logical Interrupt Connection Diagram ( $\overline{\text{INT0}}$ )

Figure 2–4 represents the logical connection of the interrupt sources and the relation of the logical connection with  $\overline{\text{INT0}}$ . The priority encoder generates an 8-bit vector, corresponding to 64 interrupt sources (not all are used). The interrupt priorities are hard wired. Vector 46h is the highest and 12h is the lowest. Table 2–8 lists the interrupt source for each valid interrupt vector.

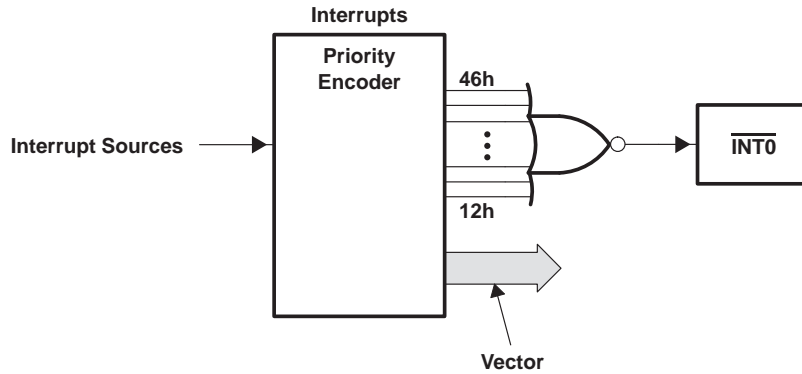


Figure 2–4. Internal Vector Interrupt ( $\overline{\text{INT0}}$ )

### 2.9.5 P2[7:0] Interrupt ( $\overline{\text{INT1}}$ )

Figure 2–5 illustrates the conceptual port-2 interrupt. All port-2 input signals are connected in a logical OR to generate the  $\overline{\text{INT1}}$  interrupt. Note that the inputs are active low and  $\overline{\text{INT1}}$  is programmed as a level-triggered interrupt. In addition,  $\overline{\text{INT1}}$  is connected to the suspend/resume logic for remote wake-up support. As illustrated, the XINT bit in the MCU configuration register (MCNFG) is used to select the EX1 interrupt source. When XINT = 0, P3.3 is the source, and when XINT = 1, P2[7:0] is the source.

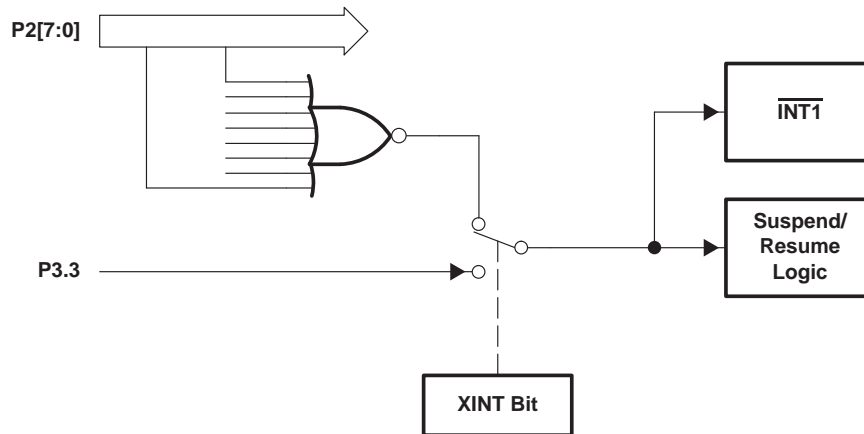


Figure 2–5. P2[7:0] Input Port Interrupt Generation

## 2.10 I<sup>2</sup>C Registers

The TUSB2136 only supports a master-slave relationship; therefore, it does not support bus arbitration.

### 2.10.1 I<sup>2</sup>CSTA: I<sup>2</sup>C Status and Control Register

This register is used to control the stop condition for read and write operations. In addition, it provides transmitter and receiver handshake signals with their respective interrupt enable bits.

7	6	5	4	3	2	1	0
RXF	RIE	ERR	1/4	TXE	TIE	SRD	SWR
R/C	R/W	R/C	R/W	R/C	R/W	R/W	R/W

BIT	NAME	RESET	FUNCTION
0	SWR	0	Stop write condition. This bit defines whether the I <sup>2</sup> C controller generates a stop condition when data from the I2CDAO register is transmitted to an external device.
			SWR = 0   Stop condition is not generated when data from I2CDAO register is shifted out to an external device.
			SWR = 1   Stop condition is generated when data from I2CDAO register is shifted out to an external device.
1	SRD	0	Stop read condition. This bit defines whether the I <sup>2</sup> C controller generates a stop condition when data is received and loaded into I2CDAI register.
			SRD = 0   Stop condition is not generated when data from SDA line is shifted into the I2CDAI register.
			SRD = 1   Stop condition is generated when data from SDA line is shifted into the I2CDAI register.
2	TIE	0	I <sup>2</sup> C transmitter empty interrupt enable
			TIE = 0   Interrupt disabled
			TIE = 1   Interrupt enabled
3	TXE	1	I <sup>2</sup> C transmitter empty. This bit indicates that data can be written to the transmitter. It can be used for polling or it can generate an interrupt.
			TXE = 0   Transmitter is full. This bit is cleared when the MCU writes a byte to I2CDAO register.
			TXE = 1   Transmitter is empty. The I <sup>2</sup> C controller sets this bit when the content of the I2CDAO register is copied to the SDA shift register.
4	1/4	0	Bus speed selection
			1/4 = 0   100-kHz bus speed
			1/4 = 1   400-kHz bus speed
5	ERR	0	Bus error condition. This bit is set by the hardware when the device does not respond. It is cleared by the MCU.
			ERR = 0   No bus error
			ERR = 1   Bus error condition has been detected. Clears when MCU writes a 1. Writing a 0 has no effect.
6	RIE	0	I <sup>2</sup> C receiver ready interrupt enable
			RIE = 0   Interrupt disabled
			RIE = 1   Interrupt enabled
7	RXF	0	I <sup>2</sup> C receiver full. This bit indicates that the receiver contains new data. It can be used for polling or it can generate an interrupt.
			RXF = 0   Receiver is empty. This bit is cleared when MCU reads the I2CDAI register.
			RXF = 1   Receiver contains new data. This bit is set by the I <sup>2</sup> C controller when the received serial data has been loaded into I2CDAI register.

### 2.10.2 I2CADR: I<sup>2</sup>C Address Register

This register holds the device address and the read/write command bit.

7	6	5	4	3	2	1	0
A <sub>6</sub>	A <sub>5</sub>	A <sub>4</sub>	A <sub>3</sub>	A <sub>2</sub>	A <sub>1</sub>	A <sub>0</sub>	R/W
R/W	R/W	R/W	R/W	R/W	R/W	R/W	R/W

BIT	NAME	RESET	FUNCTION	
0	R/W	0	Read/write command bit.	
			R/W = 0	Write operation
			R/W = 1	Read operation
7-1	A[6:0]	0000000	Seven address bits for device addressing	

### 2.10.3 I2CDAI: I<sup>2</sup>C Data-Input Register

This register holds the received data from an external device.

7	6	5	4	3	2	1	0
D <sub>7</sub>	D <sub>6</sub>	D <sub>5</sub>	D <sub>4</sub>	D <sub>3</sub>	D <sub>2</sub>	D <sub>1</sub>	D <sub>0</sub>
R/O	R/O	R/O	R/O	R/O	R/O	R/O	R/O

BIT	NAME	RESET	FUNCTION
7-0	D[7:0]	0	8-bit input data from an I <sup>2</sup> C device

### 2.10.4 I2CDAO: I<sup>2</sup>C Data-Output Register

This register holds the data to be transmitted to an external device. Writing to this register starts the transfer on the SDA line.

7	6	5	4	3	2	1	0
D <sub>7</sub>	D <sub>6</sub>	D <sub>5</sub>	D <sub>4</sub>	D <sub>3</sub>	D <sub>2</sub>	D <sub>1</sub>	D <sub>0</sub>
R/W	R/W	R/W	R/W	R/W	R/W	R/W	R/W

BIT	NAME	RESET	FUNCTION
7-0	D[7:0]	0	8-bit output data to an I <sup>2</sup> C device

## 2.11 Read/Write Operations

### 2.11.1 Read Operation (Serial EEPROM)

A serial read requires a *dummy* byte write sequence to load in the 16-bit data word address. Once the device address word and data word are clocked out and acknowledged by the device, the MCU starts a current address sequence. The following describes the sequence of events to accomplish this transaction:

#### Device Address + EEPROM [high byte]

- The MCU sets I2CSTA[SRD] = 0. This prevents the I<sup>2</sup>C controller from generating a stop condition after the content of the I2CDAI register is received.
- The MCU sets I2CSTA[SWR] = 0. This prevents the I<sup>2</sup>C controller from generating a stop condition after the content of the I2CDAO register is transmitted.
- The MCU writes the device address (R/W bit = 0) to the I2CADR register (write operation).
- The MCU writes the high byte of the EEPROM address into the I2CDAO register, starting the transfer on the SDA line.

- The TXE bit in I2CSTA is cleared, indicating busy.
- The content of the I2CADR register is transmitted to the EEPROM (preceded by start condition on SDA).
- The content of the I2CDAO register is transmitted to the EEPROM (EEPROM address).
- The TXE bit in I2CSTA is set, and interrupts the MCU, indicating that the I2CDAO register has been transmitted.
- No stop condition is generated.

#### EEPROM [low byte]

- The MCU writes the low byte of the EEPROM address into the I2CDAO register.
- The TXE bit in I2CSTA is cleared, indicating busy.
- The content of the I2CDAO register is transmitted to the device (EEPROM address).
- The TXE bit in I2CSTA is set, and interrupts the MCU, indicating that the I2CDAO register has been transmitted.
- This completes the *dummy* write operation. At this point, the EEPROM address is set and the MCU can perform a single or a sequential read operation.

### 2.11.2 Current Address Read Operation

Once the EEPROM address is set, the MCU can read a single byte by executing the following steps:

1. The MCU sets I2CSTA[SRD] = 1, forcing the I<sup>2</sup>C controller to generate a stop condition after the I2CDAI register is received.
2. The MCU writes the device address (R/W bit = 1) to the I2CADR register (read operation).
3. The MCU writes a dummy byte to the I2CDAO register, starting the transfer on the SDA line.
4. The RXF bit in I2CSTA is cleared.
5. The content of the I2CADR register is transmitted to the device, preceded by a start condition on SDA.
6. Data from the EEPROM is latched into the I2CDAI register (stop condition is transmitted).
7. The RXF bit in I2CSTA is set, and interrupts the MCU, indicating that the data is available.
8. The MCU reads the I2CDAI register. This clears the RXF bit (I2CSTA[RXF] = 0).

### 2.11.3 Sequential Read Operation

Once the EEPROM address is set, the MCU can execute a sequential read operation by executing the following steps (Note: this example illustrates a 32-byte sequential read):

1. Device Address
  - The MCU sets I2CSTA[SRD] = 0. This prevents the I<sup>2</sup>C controller from generating a stop condition after the I2CDAI register is received.
  - The MCU writes the device address (R/W bit = 1) to the I2CADR register (read operation).
  - The MCU writes a dummy byte to the I2CDAO register, starting the transfer on the SDA line.
  - The RXF bit in I2CSTA is cleared.
  - The content of the I2CADR register is transmitted to the device (preceded by a start condition on SDA).
2. N-Byte Read (31 bytes)
  - Data from the device is latched into the I2CDAI register (stop condition is not transmitted).

- The RXF bit in I2CSTA is set, and interrupts the MCU, indicating that data is available.
  - The MCU reads the I2CDAI register, clearing the RXF bit (I2CSTA[RXF] = 0).
  - This operation repeats 31 times.
3. Last-Byte Read (byte 32)
- The MCU sets I2CSTA[SRD] = 1. This forces the I<sup>2</sup>C controller to generate a stop condition after the I2CDAI register is received.
  - Data from the device is latched into the I2CDAI register (stop condition is transmitted).
  - The RXF bit in I2CSTA is set, and interrupts the MCU, indicating that data is available.
  - The MCU reads the I2CDAI register, clearing the RXF bit (I2CSTA[RXF] = 0).

#### 2.11.4 Write Operation (Serial EEPROM)

The byte write operation involves three phases: 1) device address + EEPROM [high byte] phase, 2) EEPROM [low byte] phase, and 3) EEPROM [DATA]. The following describes the sequence of events to accomplish the byte write transaction:

##### Device Address + EEPROM [high byte]

- The MCU sets I2CSTA[SWR] = 0. This prevents the I<sup>2</sup>C controller from generating a stop condition after the content of the I2CDAO register is transmitted.
- The MCU writes the device address (R/W bit = 0) to the I2CADR register (write operation).
- The MCU writes the high byte of the EEPROM address into the I2CDAO register, starting the transfer on the SDA line.
- The TXE bit in I2CSTA is cleared, indicating busy.
- The content of the I2CADR register is transmitted to the device (preceded by a start condition on SDA).
- The content of the I2CDAO register is transmitted to the device (EEPROM high-address).
- The TXE bit in I2CSTA is set, and interrupts the MCU, indicating that the I2CDAO register has been transmitted.

##### EEPROM [low byte]

- The MCU writes the low byte of the EEPROM address into the I2CDAO register.
- The TXE bit in I2CSTA is cleared, indicating busy.
- The content of the I2CDAO register is transmitted to the device (EEPROM address).
- The TXE bit in I2CSTA is set, and interrupts the MCU, indicating that the I2CDAO register has been transmitted.



## EEPROM [DATA]

- The MCU sets I2CSTA[SWR] = 1. This forces the I<sup>2</sup>C controller to generate a stop condition after the content of the I2CDAO register is transmitted.
- The MCU writes the DATA to be written to the EEPROM into the I2CDAO register.
- The TXE bit in I2CSTA is cleared, indicating busy.
- The content of the I2CDAO register is transmitted to the device (EEPROM data).
- The TXE bit in I2CSTA is set, and interrupts the MCU, indicating that the I2CDAO register has been transmitted.
- The I<sup>2</sup>C controller generates a stop condition after the content of the I2CDAO register is transmitted.

### 2.11.5 Page Write Operation

The page write operation is initiated the same way as byte write, with the exception that a stop condition is not generated after the first EEPROM [DATA] is transmitted. The following describes the sequence of writing 32 bytes in page mode:

#### Device Address + EEPROM [high byte]

- The MCU sets I2CSTA[SWR] = 0. This prevents the I<sup>2</sup>C controller from generating a stop condition after the content of the I2CDAO register is transmitted.
- The MCU writes the device address (R/W bit = 0) to the I2CADR register (write operation).
- The MCU writes the high byte of the EEPROM address into the I2CDAO register.
- The TXE bit in I2CSTA is cleared, indicating busy.
- The content of the I2CADR register is transmitted to the device (preceded by a start condition on SDA).
- The content of the I2CDAO register is transmitted to the device (EEPROM address).
- The TXE bit in I2CSTA is set, and interrupts the MCU, indicating that the I2CDAO register has been sent.

#### EEPROM [low byte]

- The MCU writes the low byte of the EEPROM address into the I2CDAO register.
- The TXE bit in I2CSTA is cleared, indicating busy.
- The content of the I2CDAO register is transmitted to the device (EEPROM address).
- The TXE bit in I2CSTA is set, and interrupts the MCU, indicating that the I2CDAO register has been sent.

#### 31 Bytes EEPROM [DATA]

- The MCU writes the DATA to be written to the EEPROM into the I2CDAO register.
- The TXE bit in I2CSTA is cleared, indicating busy.
- The content of the I2CDAO register is transmitted to the device (EEPROM data).
- The TXE bit in I2CSTA is set, and interrupts the MCU, indicating that the I2CDAO register has been sent.
- This operation repeats 31 times.

#### **Last Byte EEPROM [DATA]**

- The MCU sets I2CSTA[SWR] = 1. This forces the I<sup>2</sup>C controller to generate a stop condition after the content of the I2CDAO register is transmitted.
- The MCU writes the last DATA byte to be written to the EEPROM into the I2CDAO register.
- The TXE bit in I2CSTA is cleared, indicating busy.
- The content of the I2CDAO register is transmitted to the EEPROM (EEPROM data).
- The TXE bit in I2CSTA is set, and interrupts the MCU, indicating that the I2CDAO register has been sent.
- The I<sup>2</sup>C controller generates a stop condition after the content of the I2CDAO register is transmitted.



**Distributor of Texas Instruments: Excellent Integrated System Limited**

Datasheet of TUSB2136PM - IC USB HUB I/O CONTROL 64-LQFP

Contact us: [sales@integrated-circuit.com](mailto:sales@integrated-circuit.com) Website: [www.integrated-circuit.com](http://www.integrated-circuit.com)

---

### 3 Electrical Specifications

#### 3.1 Absolute Maximum Ratings Over Operating Free-Air Temperature Range (unless otherwise noted)<sup>†</sup>

Supply voltage, $V_{CC}$	-0.5 V to 4 V
Input voltage, $V_I$	-0.5 V to $V_{CC} + 0.5$ V
Output voltage, $V_O$	-0.5 V to $V_{CC} + 0.5$ V
Input clamp current, $I_{IK}$	$\pm 20$ mA
Output clamp current, $I_{OK}$	$\pm 20$ mA
Storage temperature	-65°C to 150°C

<sup>†</sup> Stresses beyond those listed under “absolute maximum ratings” may cause permanent damage to the device. These are stress ratings only, and functional operation of the device at these or any other conditions beyond those indicated under “recommended operating conditions” is not implied. Exposure to absolute-maximum-rated conditions for extended periods may affect device reliability.

#### 3.2 Commercial Operating Conditions

PARAMETER	MIN	NOM	MAX	UNIT
$V_{CC}$ Supply voltage	3	3.3	3.6	V
$V_I$ Input voltage	0		$V_{CC}$	V
$V_{IH}$ High-level input voltage	2		$V_{CC}$	V
$V_{IL}$ Low-level input voltage	0		0.8	V
$T_A$ Operating temperature	0		70	°C

#### 3.3 Electrical Characteristics, $T_A = 25^\circ\text{C}$ , $V_{CC} = 3.3\text{ V} \pm 0.3\text{ V}$ , $\text{GND} = 0\text{ V}$

PARAMETER	TEST CONDITIONS	MIN	NOM	MAX	UNIT
$V_{OH}$ High-level output voltage	$I_{OH} = -4\text{ mA}$	$V_{CC}-0.5$			V
$V_{OL}$ Low-level output voltage	$I_{OL} = 4\text{ mA}$			0.5	V
$V_{IT+}$ Positive input threshold voltage	$V_I = V_{IH}$			2	V
$V_{IT-}$ Negative input threshold voltage	$V_I = V_{IL}$	0.8			V
$V_{hys}$ Hysteresis ( $V_{IT+} - V_{IT-}$ )	$V_I = V_{IH}$		1		V
$I_{IH}$ High-level input current	$V_I = V_{IH}$			$\pm 1$	$\mu\text{A}$
$I_{IL}$ Low-level input current	$V_I = V_{IL}$			$\pm 1$	$\mu\text{A}$
$I_{OZ}$ Output leakage current (Hi-Z)	$V_I = V_{CC}$ or $V_{SS}$			10	$\mu\text{A}$
$C_I$ Input capacitance			5		pF
$C_O$ Output capacitance			7		pF
$I_{CC}$ Quiescent			25	45	mA
$I_{CCx}$ Suspend			45		$\mu\text{A}$
$I_{CCx1.8}$ Suspend 1.8 VDD				1	$\mu\text{A}$



**Distributor of Texas Instruments: Excellent Integrated System Limited**

Datasheet of TUSB2136PM - IC USB HUB I/O CONTROL 64-LQFP

Contact us: [sales@integrated-circuit.com](mailto:sales@integrated-circuit.com) Website: [www.integrated-circuit.com](http://www.integrated-circuit.com)

---

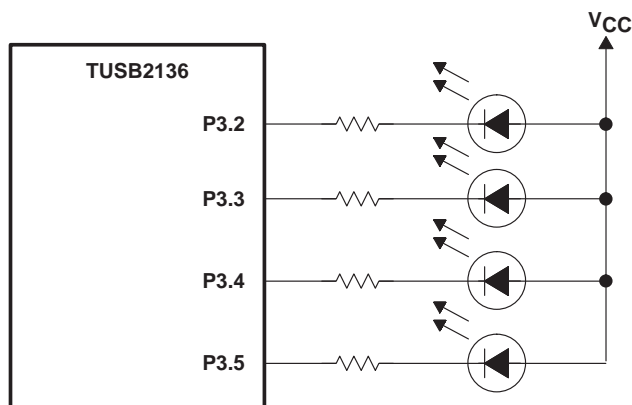
## 4 Application

### 4.1 Keyboard Section

Table 4–1 outlines the GPIO assignment for the switch-matrix scanning and for keyboard LED drive. Figure 4–1 illustrates the port-3 pins that are assigned to drive the four keyboard LEDs. As shown, P3[5:2] can sink up to 12 mA (open-drain output) on each pin. Figure 4–2 illustrates the 18 outputs (open-drain) and the 8 inputs (internal pullups) that are used for the switch-matrix scanning. Figure 4–3 illustrates the partial connection bus power mode. Figure 4–4 shows the USB upstream connection, and Figure 4–5 illustrates the downstream connection (only one port shown).

**Table 4–1. GPIO Assignment for Matrix Scan and LED Drive**

GPIO	I/O	
P0[7:0]	O	8-bit matrix-scan outputs
P1[7:0]	O	8-bit matrix-scan outputs
P3.6	O	1-bit matrix-scan output
P3.7	O	1-bit matrix-scan output
P2[7:0]	I	8-bit matrix-scan inputs
P3.2	O	Keyboard LED-1
P3.3	O	Keyboard LED-2
P3.4	O	Keyboard LED-3
P3.5	O	Keyboard LED-4
P3.0	I/O	GPIO (Not used for keyboard)
P3.1	I/O	GPIO (Not used for keyboard)



**Figure 4–1. Keyboard LED Connection**

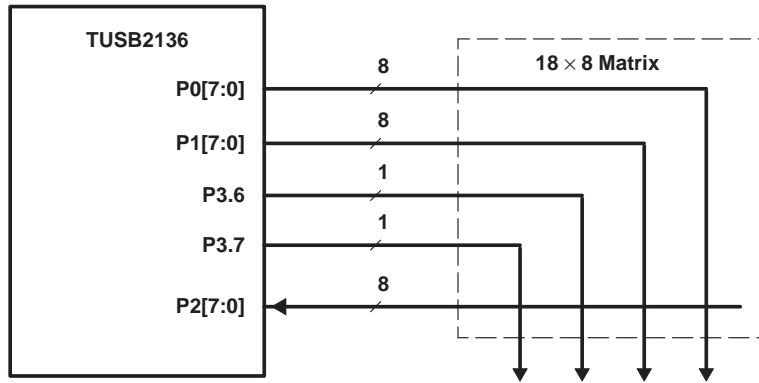


Figure 4-2. Keyboard Matrix Scan Connection

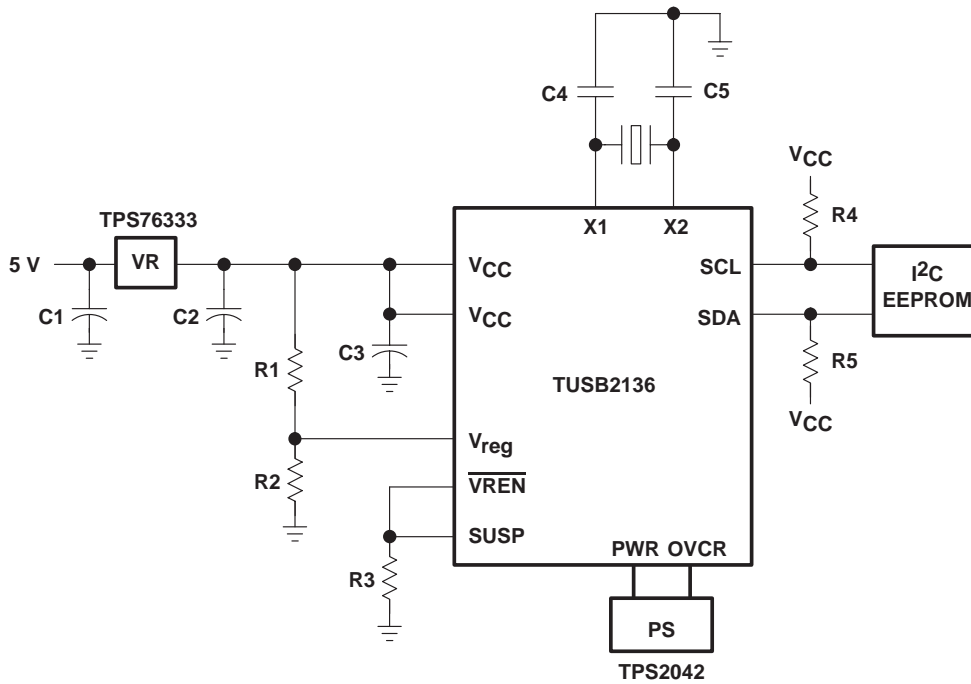


Figure 4-3. Partial Connection Bus Power Mode

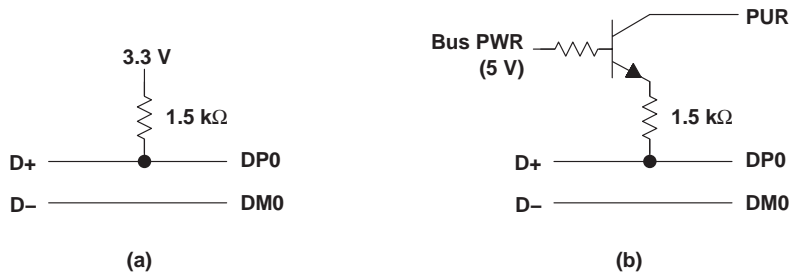


Figure 4-4. Upstream Connection (a) Non-Switching Power Mode (b) Switching Power Mode

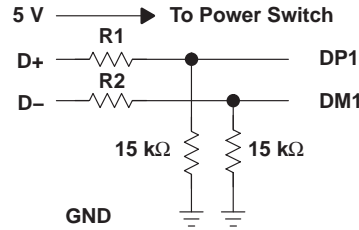


Figure 4-5. Downstream Connection – Only One Port Shown

## 4.2 Reset Timing

There are two requirements for the reset signal timing. First, the reset window should be between 100  $\mu\text{s}$  and 10 ms. At power up, this time is measured from the time the power ramps up to 90% of the nominal  $V_{CC}$  until the reset signal goes high (above 1.2 V). The second requirement is that the clock has to be valid during the last 60  $\mu\text{s}$  of the reset window. These two requirements are depicted in Figure 4-6. Notice that when using a 12-MHz crystal or the 48-MHz oscillator, the clock signal may take several milliseconds to ramp up and become valid after power up. Therefore, the reset window may need to be elongated up to 10 ms to ensure that there is a 60- $\mu\text{s}$  overlap with a valid clock.

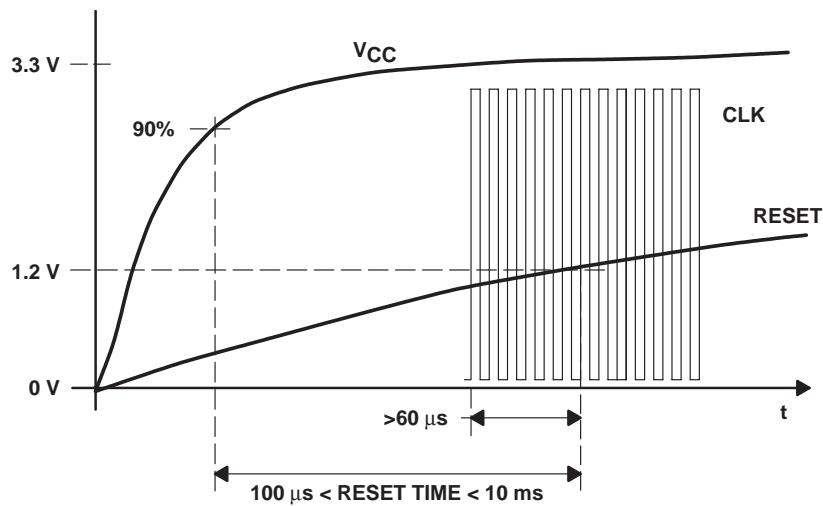


Figure 4-6. Reset Timing





**Distributor of Texas Instruments: Excellent Integrated System Limited**

Datasheet of TUSB2136PM - IC USB HUB I/O CONTROL 64-LQFP

Contact us: [sales@integrated-circuit.com](mailto:sales@integrated-circuit.com) Website: [www.integrated-circuit.com](http://www.integrated-circuit.com)

---



PACKAGING INFORMATION

Orderable Device	Status (1)	Package Type	Package Drawing	Pins	Package Qty	Eco Plan (2)	Lead/Ball Finish (6)	MSL Peak Temp (3)	Op Temp (°C)	Device Marking (4/5)	Samples
TUSB2136PM	ACTIVE	LQFP	PM	64	160	Green (RoHS & no Sb/Br)	CU NIPDAU	Level-3-260C-168 HR	0 to 70	TUSB2136PM	

(1) The marketing status values are defined as follows:

**ACTIVE:** Product device recommended for new designs.

**LIFEBUY:** TI has announced that the device will be discontinued, and a lifetime-buy period is in effect.

**NRND:** Not recommended for new designs. Device is in production to support existing customers, but TI does not recommend using this part in a new design.

**PREVIEW:** Device has been announced but is not in production. Samples may or may not be available.

**OBsolete:** TI has discontinued the production of the device.

(2) Eco Plan - The planned eco-friendly classification: Pb-Free (RoHS), Pb-Free (RoHS Exempt), or Green (RoHS & no Sb/Br) - please check <http://www.ti.com/productcontent> for the latest availability information and additional product content details.

**TBD:** The Pb-Free/Green conversion plan has not been defined.

**Pb-Free (RoHS):** TI's terms "Lead-Free" or "Pb-Free" mean semiconductor products that are compatible with the current RoHS requirements for all 6 substances, including the requirement that lead not exceed 0.1% by weight in homogeneous materials. Where designed to be soldered at high temperatures, TI Pb-Free products are suitable for use in specified lead-free processes.

**Pb-Free (RoHS Exempt):** This component has a RoHS exemption for either 1) lead-based flip-chip solder bumps used between the die and package, or 2) lead-based die adhesive used between the die and leadframe. The component is otherwise considered Pb-Free (RoHS compatible) as defined above.

**Green (RoHS & no Sb/Br):** TI defines "Green" to mean Pb-Free (RoHS compatible), and free of Bromine (Br) and Antimony (Sb) based flame retardants (Br or Sb do not exceed 0.1% by weight in homogeneous material)

(3) MSL, Peak Temp. - The Moisture Sensitivity Level rating according to the JEDEC industry standard classifications, and peak solder temperature.

(4) There may be additional marking, which relates to the logo, the lot trace code information, or the environmental category on the device.

(5) Multiple Device Markings will be inside parentheses. Only one Device Marking contained in parentheses and separated by a "-" will appear on a device. If a line is indented then it is a continuation of the previous line and the two combined represent the entire Device Marking for that device.

(6) Lead/Ball Finish - Orderable Devices may have multiple material finish options. Finish options are separated by a vertical ruled line. Lead/Ball Finish values may wrap to two lines if the finish value exceeds the maximum column width.

**Important Information and Disclaimer:** The information provided on this page represents TI's knowledge and belief as of the date that it is provided. TI bases its knowledge and belief on information provided by third parties, and makes no representation or warranty as to the accuracy of such information. Efforts are underway to better integrate information from third parties. TI has taken and continues to take reasonable steps to provide representative and accurate information but may not have conducted destructive testing or chemical analysis on incoming materials and chemicals. TI and TI suppliers consider certain information to be proprietary, and thus CAS numbers and other limited information may not be available for release.

In no event shall TI's liability arising out of such information exceed the total purchase price of the TI part(s) at issue in this document sold by TI to Customer on an annual basis.



**Distributor of Texas Instruments: Excellent Integrated System Limited**

Datasheet of TUSB2136PM - IC USB HUB I/O CONTROL 64-LQFP

Contact us: [sales@integrated-circuit.com](mailto:sales@integrated-circuit.com) Website: [www.integrated-circuit.com](http://www.integrated-circuit.com)

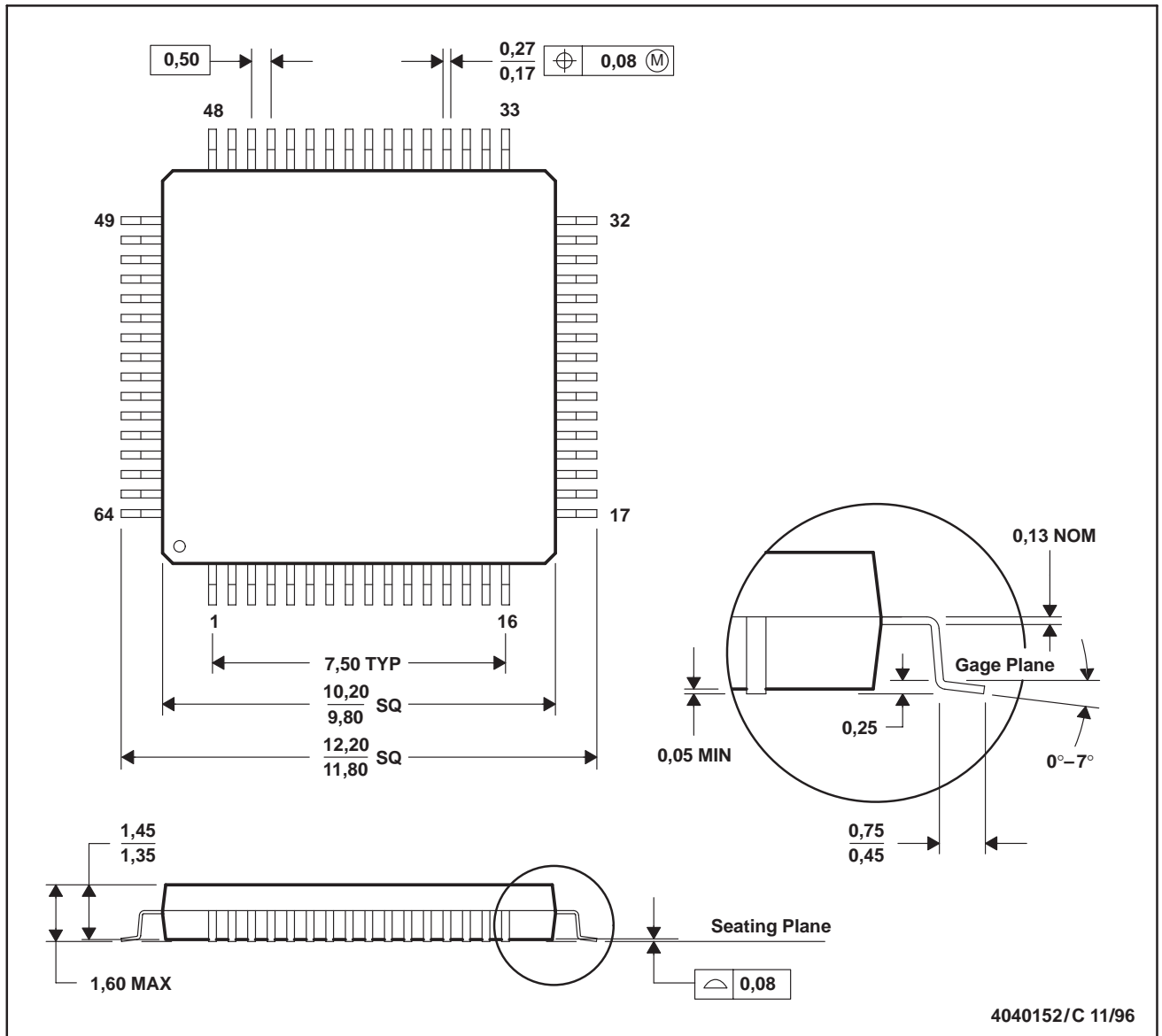
**PACKAGE OPTION ADDENDUM**

---

MTQF008A – JANUARY 1995 – REVISED DECEMBER 1996

**PM (S-PQFP-G64)**

**PLASTIC QUAD FLATPACK**

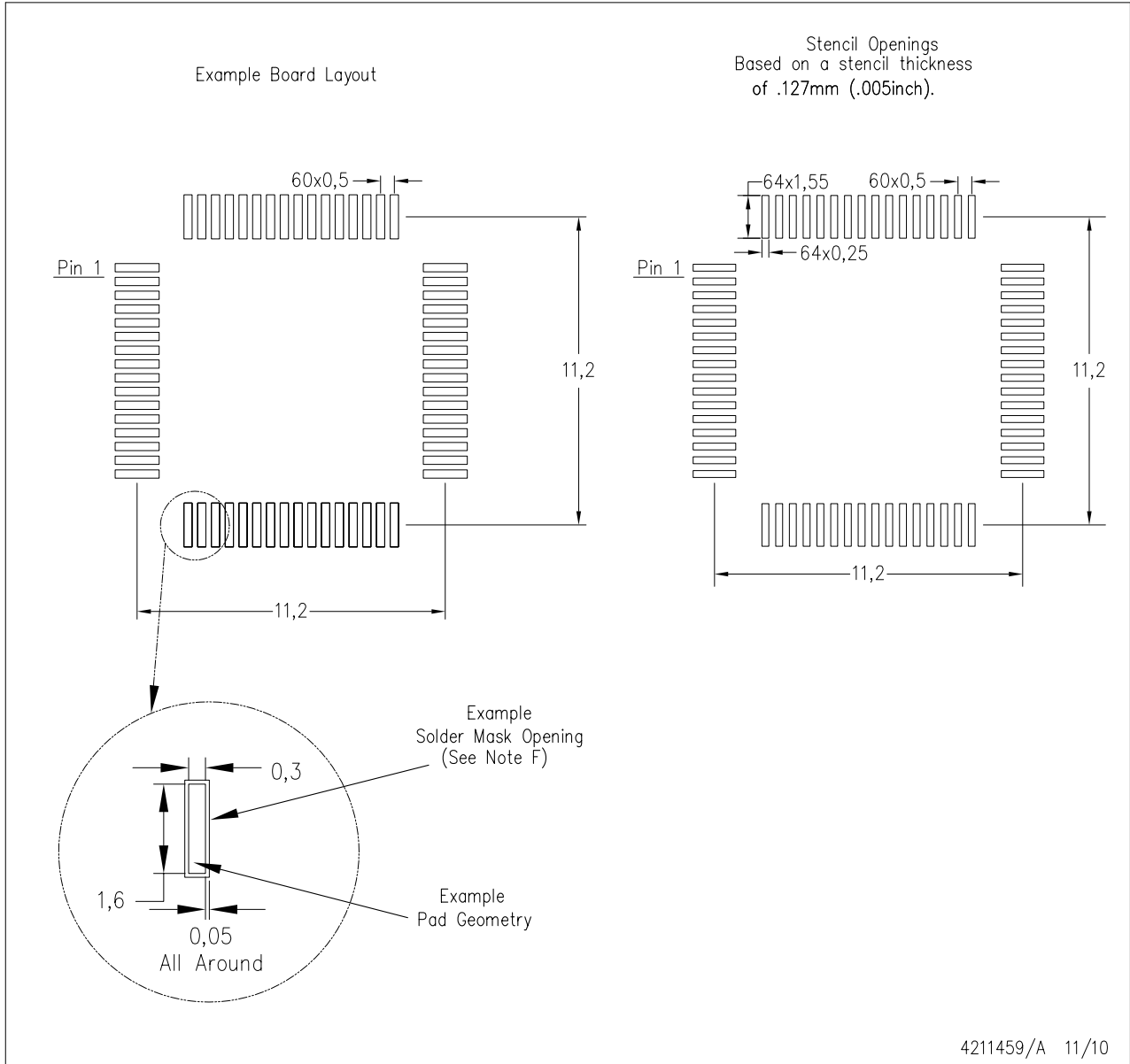


- NOTES: A. All linear dimensions are in millimeters.  
 B. This drawing is subject to change without notice.  
 C. Falls within JEDEC MS-026  
 D. May also be thermally enhanced plastic with leads connected to the die pads.

**LAND PATTERN DATA**

PM (S-PQFP-G64)

PLASTIC QUAD FLATPACK



- NOTES:
- A. All linear dimensions are in millimeters.
  - B. This drawing is subject to change without notice.
  - C. Laser cutting apertures with trapezoidal walls and also rounding corners will offer better paste release. Customers should contact their board assembly site for stencil design recommendations. Example stencil design based on a 50% volumetric metal load solder paste. Refer to IPC-7525 for other stencil recommendations.
  - D. Customers should contact their board fabrication site for solder mask tolerances between and around signal pads.

### IMPORTANT NOTICE

Texas Instruments Incorporated and its subsidiaries (TI) reserve the right to make corrections, enhancements, improvements and other changes to its semiconductor products and services per JESD46, latest issue, and to discontinue any product or service per JESD48, latest issue. Buyers should obtain the latest relevant information before placing orders and should verify that such information is current and complete. All semiconductor products (also referred to herein as "components") are sold subject to TI's terms and conditions of sale supplied at the time of order acknowledgment.

TI warrants performance of its components to the specifications applicable at the time of sale, in accordance with the warranty in TI's terms and conditions of sale of semiconductor products. Testing and other quality control techniques are used to the extent TI deems necessary to support this warranty. Except where mandated by applicable law, testing of all parameters of each component is not necessarily performed.

TI assumes no liability for applications assistance or the design of Buyers' products. Buyers are responsible for their products and applications using TI components. To minimize the risks associated with Buyers' products and applications, Buyers should provide adequate design and operating safeguards.

TI does not warrant or represent that any license, either express or implied, is granted under any patent right, copyright, mask work right, or other intellectual property right relating to any combination, machine, or process in which TI components or services are used. Information published by TI regarding third-party products or services does not constitute a license to use such products or services or a warranty or endorsement thereof. Use of such information may require a license from a third party under the patents or other intellectual property of the third party, or a license from TI under the patents or other intellectual property of TI.

Reproduction of significant portions of TI information in TI data books or data sheets is permissible only if reproduction is without alteration and is accompanied by all associated warranties, conditions, limitations, and notices. TI is not responsible or liable for such altered documentation. Information of third parties may be subject to additional restrictions.

Resale of TI components or services with statements different from or beyond the parameters stated by TI for that component or service voids all express and any implied warranties for the associated TI component or service and is an unfair and deceptive business practice. TI is not responsible or liable for any such statements.

Buyer acknowledges and agrees that it is solely responsible for compliance with all legal, regulatory and safety-related requirements concerning its products, and any use of TI components in its applications, notwithstanding any applications-related information or support that may be provided by TI. Buyer represents and agrees that it has all the necessary expertise to create and implement safeguards which anticipate dangerous consequences of failures, monitor failures and their consequences, lessen the likelihood of failures that might cause harm and take appropriate remedial actions. Buyer will fully indemnify TI and its representatives against any damages arising out of the use of any TI components in safety-critical applications.

In some cases, TI components may be promoted specifically to facilitate safety-related applications. With such components, TI's goal is to help enable customers to design and create their own end-product solutions that meet applicable functional safety standards and requirements. Nonetheless, such components are subject to these terms.

No TI components are authorized for use in FDA Class III (or similar life-critical medical equipment) unless authorized officers of the parties have executed a special agreement specifically governing such use.

Only those TI components which TI has specifically designated as military grade or "enhanced plastic" are designed and intended for use in military/aerospace applications or environments. Buyer acknowledges and agrees that any military or aerospace use of TI components which have **not** been so designated is solely at the Buyer's risk, and that Buyer is solely responsible for compliance with all legal and regulatory requirements in connection with such use.

TI has specifically designated certain components as meeting ISO/TS16949 requirements, mainly for automotive use. In any case of use of non-designated products, TI will not be responsible for any failure to meet ISO/TS16949.

#### Products

Audio	<a href="http://www.ti.com/audio">www.ti.com/audio</a>
Amplifiers	<a href="http://amplifier.ti.com">amplifier.ti.com</a>
Data Converters	<a href="http://dataconverter.ti.com">dataconverter.ti.com</a>
DLP® Products	<a href="http://www.dlp.com">www.dlp.com</a>
DSP	<a href="http://dsp.ti.com">dsp.ti.com</a>
Clocks and Timers	<a href="http://www.ti.com/clocks">www.ti.com/clocks</a>
Interface	<a href="http://interface.ti.com">interface.ti.com</a>
Logic	<a href="http://logic.ti.com">logic.ti.com</a>
Power Mgmt	<a href="http://power.ti.com">power.ti.com</a>
Microcontrollers	<a href="http://microcontroller.ti.com">microcontroller.ti.com</a>
RFID	<a href="http://www.ti-rfid.com">www.ti-rfid.com</a>
OMAP Applications Processors	<a href="http://www.ti.com/omap">www.ti.com/omap</a>
Wireless Connectivity	<a href="http://www.ti.com/wirelessconnectivity">www.ti.com/wirelessconnectivity</a>

#### Applications

Automotive and Transportation	<a href="http://www.ti.com/automotive">www.ti.com/automotive</a>
Communications and Telecom	<a href="http://www.ti.com/communications">www.ti.com/communications</a>
Computers and Peripherals	<a href="http://www.ti.com/computers">www.ti.com/computers</a>
Consumer Electronics	<a href="http://www.ti.com/consumer-apps">www.ti.com/consumer-apps</a>
Energy and Lighting	<a href="http://www.ti.com/energy">www.ti.com/energy</a>
Industrial	<a href="http://www.ti.com/industrial">www.ti.com/industrial</a>
Medical	<a href="http://www.ti.com/medical">www.ti.com/medical</a>
Security	<a href="http://www.ti.com/security">www.ti.com/security</a>
Space, Avionics and Defense	<a href="http://www.ti.com/space-avionics-defense">www.ti.com/space-avionics-defense</a>
Video and Imaging	<a href="http://www.ti.com/video">www.ti.com/video</a>

#### TI E2E Community

[e2e.ti.com](http://e2e.ti.com)