



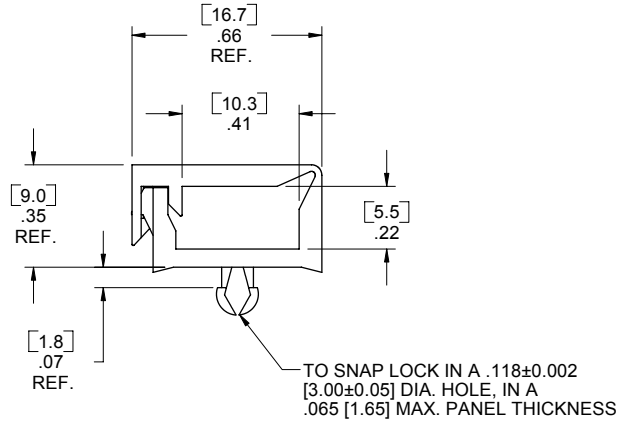
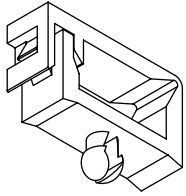
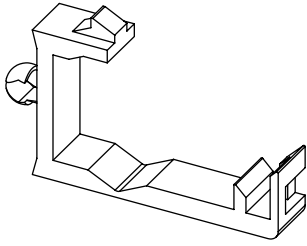
Excellent Integrated System Limited

Stocking Distributor




Click to view price, real time Inventory, Delivery & Lifecycle Information:

[Essentra Components \(formerly Richco, Inc.\)](#)
[WSLT-T-01A-19](#)

For any questions, you can email us directly:
sales@integrated-circuit.com



NOTES:
 1. MATERIAL: NYLON 6/6 UL 94 V-0 (RMS-19)
 2. COLOR:BLACK

			TITLE: WIRE SADDLE-LOCKING TOP				  DWG IN IN [MM]			
CREATED USING SOLIDWORKS			FILE #: WSLT-T	DWN: WH	APP: WH	FINAL				
TOLERANCES UNLESS NOTED .XX=±.01 .XXX=±.005 FRAC.=± 1/64 ANG.=±1°			SHEET: 1 OF 1	SHEET SIZE: A	DT: 23-05-05	CHKD: BR	PART #		PRINT TYPE	
A RELEASED FOR PRODUCTION			RE: RICHCO, INC.		RICHCO, INC. ENG@RICHCO-INC.COM (773) 539-4060		WSLT-T-01A-19		CA	
REV.	DESCRIPTION	ENGR. DATE								