

Excellent Integrated System Limited

Stocking Distributor

Click to view price, real time Inventory, Delivery & Lifecycle Information:

[Texas Instruments](#)
[TSB43AA82PGE](#)

For any questions, you can email us directly:

sales@integrated-circuit.com

(iSphynx II) 1394 Integrated PHY and Link-Layer Controller for SBP-2 Products and DPP Products

FEATURES

- IEEE 1394a-2000 Compliant
- Single 3.3-V Supply
- Internal 1.8-V Circuit to Reduce Power Consumption
- Integrated 400-Mbps Two-Port Physical Layer (PHY)
- Internal Voltage Regulator
- IEEE 1394 Related Functions:
 - Automated Read Response for ConfigROM Register Access
 - Automated Single Retry Protocol and Split Transaction Control
- SBP-2 Related Functions:
 - Supports Four Initiators by Automated Transactions and More Can Be Supported Through Firmware.
 - Automated Management ORB Fetching
 - Automated Linked Command ORB Fetching
 - Automated PageTable Fetching
 - Automated Status Block Transmit
- Ability to Support Direct Print Protocol (DPP) Mode
- Data Transfers:
 - Auto Address Increment of Direct/Indirect Addressing on Data Transfer (Packetizer)
 - Automated Header Insert/Strip for DMA Data Transfers
 - 8-/16-Bit Asynchronous and Synchronous DMA I/F With Handshake and Burst Mode
 - Supports ATAPI (Ultra-DMA) Mode and SCSI Mode
 - 8-/16-Bit Data/Address Multiplex Microcontroller and 8-/16-Bit Separated Data/Address Bus
 - Three FIFO Configurations That Support High Performance for the DMA and for Command Exchanges
 - Asynchronous Command FIFO: 1512 Bytes
 - Config ROM/LOG FIFO: 504 Bytes
 - DMA FIFO: 4728 Bytes

DESCRIPTION

The TSB43AA82A is a high performance 1394 integrated PHY and link layer controller. It is compliant with the IEEE 1394-1995 and IEEE 1394a-2000 specifications and supports asynchronous transfers.

TSB43AA82A has a generic 16-/8-bit host bus interface. It supports parallel or multiplexed connections to the microcontroller (MCU) at rates up to 40 MHz.

The TSB43AA82A offers large data transfers with three mutually independent FIFOs: 1) the asynchronous command FIFO with 1512 Bytes, 2) the DMA FIFO with 4728 bytes and 3) the Config ROM/LOG FIFO with 504 bytes.

The features of the TSB43AA82A support the serial bus protocol 2 (SBP-2). It handles up to four initiators with the SBP-2 transaction/timer manager. This SBP-2 transaction engine supports fully automated operation request block (ORB) fetches and fully automated memory page table fetches for both read and write transactions. Automated responses to other node requests are provided; this includes responding to another node's read request to the Config ROM and issuing ack_busy_X for a single retry. Various control registers enable the user to program IEEE 1394 asynchronous transaction settings. The user can program the number of retries and the split transaction time-out value by setting the time limit register in the CFR.



Please be aware that an important notice concerning availability, standard warranty, and use in critical applications of Texas Instruments semiconductor products and disclaimers thereto appears at the end of this data sheet.

TSB43AA82A
TSB43AA82AI

SLLA205–MAY 2006

The TSB43AA82A also supports the direct print protocol (DPP). The asynchronous receive FIFO (ARF) in the TSB43AA82A is large enough to satisfy the connection register area, the DRF receiving FIFO can be used as the segment data unit (SDU) register to fulfill the large data transfer.

This document is not intended to serve as a tutorial on IEEE 1394; users are referred to IEEE Std 1394-1995 and IEEE 1394a-2000 .⁽¹⁾

NOTE:

This product is for high-volume CE applications only. For a complete datasheet or more information contact support@ti.com.

- (1) IEEE Std 1394-1995, *IEEE Standard for a High Performance Serial Bus* IEEE Std 1394a–2000, *IEEE Standard for a High Performance Serial Bus – Amendment 1*



PACKAGING INFORMATION

Orderable Device	Status (1)	Package Type	Package Drawing	Pins	Package Qty	Eco Plan (2)	Lead/Ball Finish	MSL Peak Temp (3)	Samples (Requires Login)
TSB43AA82APGE	ACTIVE	LQFP	PGE	144	60	Green (RoHS & no Sb/Br)	CU NIPDAU	Level-2-260C-1 YEAR	
TSB43AA82APGEG4	ACTIVE	LQFP	PGE	144	60	Green (RoHS & no Sb/Br)	CU NIPDAU	Level-2-260C-1 YEAR	

(1) The marketing status values are defined as follows:

ACTIVE: Product device recommended for new designs.

LIFEBUY: TI has announced that the device will be discontinued, and a lifetime-buy period is in effect.

NRND: Not recommended for new designs. Device is in production to support existing customers, but TI does not recommend using this part in a new design.

PREVIEW: Device has been announced but is not in production. Samples may or may not be available.

OBSOLETE: TI has discontinued the production of the device.

(2) Eco Plan - The planned eco-friendly classification: Pb-Free (RoHS), Pb-Free (RoHS Exempt), or Green (RoHS & no Sb/Br) - please check <http://www.ti.com/productcontent> for the latest availability information and additional product content details.

TBD: The Pb-Free/Green conversion plan has not been defined.

Pb-Free (RoHS): TI's terms "Lead-Free" or "Pb-Free" mean semiconductor products that are compatible with the current RoHS requirements for all 6 substances, including the requirement that lead not exceed 0.1% by weight in homogeneous materials. Where designed to be soldered at high temperatures, TI Pb-Free products are suitable for use in specified lead-free processes.

Pb-Free (RoHS Exempt): This component has a RoHS exemption for either 1) lead-based flip-chip solder bumps used between the die and package, or 2) lead-based die adhesive used between the die and leadframe. The component is otherwise considered Pb-Free (RoHS compatible) as defined above.

Green (RoHS & no Sb/Br): TI defines "Green" to mean Pb-Free (RoHS compatible), and free of Bromine (Br) and Antimony (Sb) based flame retardants (Br or Sb do not exceed 0.1% by weight in homogeneous material)

(3) MSL, Peak Temp. -- The Moisture Sensitivity Level rating according to the JEDEC industry standard classifications, and peak solder temperature.

Important Information and Disclaimer:The information provided on this page represents TI's knowledge and belief as of the date that it is provided. TI bases its knowledge and belief on information provided by third parties, and makes no representation or warranty as to the accuracy of such information. Efforts are underway to better integrate information from third parties. TI has taken and continues to take reasonable steps to provide representative and accurate information but may not have conducted destructive testing or chemical analysis on incoming materials and chemicals. TI and TI suppliers consider certain information to be proprietary, and thus CAS numbers and other limited information may not be available for release.

In no event shall TI's liability arising out of such information exceed the total purchase price of the TI part(s) at issue in this document sold by TI to Customer on an annual basis.

OTHER QUALIFIED VERSIONS OF TSB43AA82A :

- Enhanced Product: [TSB43AA82A-EP](#)

NOTE: Qualified Version Definitions:



Distributor of Texas Instruments: Excellent Integrated System Limited

Datasheet of TSB43AA82PGE - IC PHY/LINK LAYER CTRLR 144-LQFP

Contact us: sales@integrated-circuit.com Website: www.integrated-circuit.com

PACKAGE OPTION ADDENDUM



www.ti.com

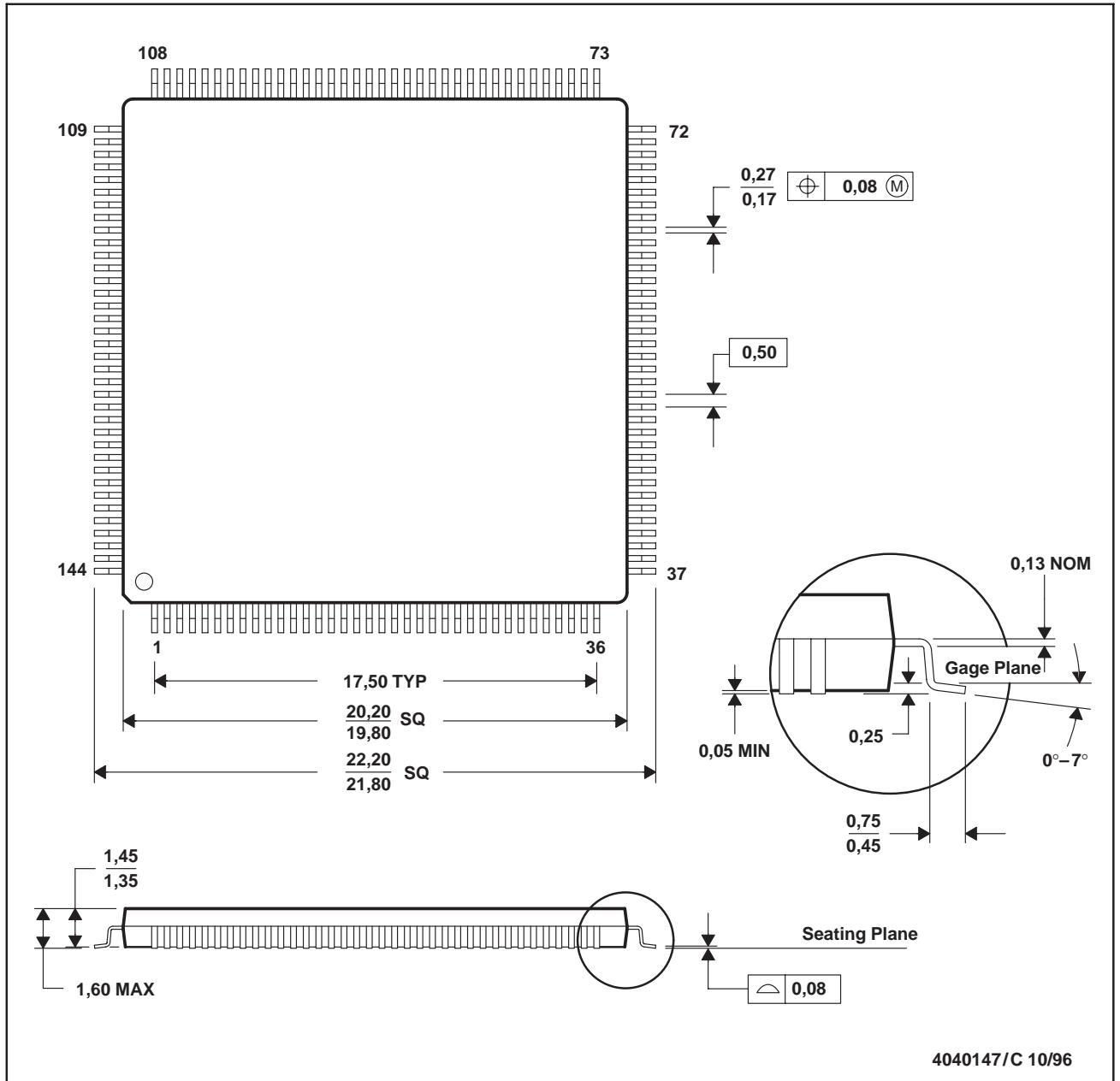
15-Nov-2012

-
- Enhanced Product - Supports Defense, Aerospace and Medical Applications

MTQF017A – OCTOBER 1994 – REVISED DECEMBER 1996

PGE (S-PQFP-G144)

PLASTIC QUAD FLATPACK



- NOTES: A. All linear dimensions are in millimeters.
 B. This drawing is subject to change without notice.
 C. Falls within JEDEC MS-026

IMPORTANT NOTICE

Texas Instruments Incorporated and its subsidiaries (TI) reserve the right to make corrections, enhancements, improvements and other changes to its semiconductor products and services per JESD46, latest issue, and to discontinue any product or service per JESD48, latest issue. Buyers should obtain the latest relevant information before placing orders and should verify that such information is current and complete. All semiconductor products (also referred to herein as "components") are sold subject to TI's terms and conditions of sale supplied at the time of order acknowledgment.

TI warrants performance of its components to the specifications applicable at the time of sale, in accordance with the warranty in TI's terms and conditions of sale of semiconductor products. Testing and other quality control techniques are used to the extent TI deems necessary to support this warranty. Except where mandated by applicable law, testing of all parameters of each component is not necessarily performed.

TI assumes no liability for applications assistance or the design of Buyers' products. Buyers are responsible for their products and applications using TI components. To minimize the risks associated with Buyers' products and applications, Buyers should provide adequate design and operating safeguards.

TI does not warrant or represent that any license, either express or implied, is granted under any patent right, copyright, mask work right, or other intellectual property right relating to any combination, machine, or process in which TI components or services are used. Information published by TI regarding third-party products or services does not constitute a license to use such products or services or a warranty or endorsement thereof. Use of such information may require a license from a third party under the patents or other intellectual property of the third party, or a license from TI under the patents or other intellectual property of TI.

Reproduction of significant portions of TI information in TI data books or data sheets is permissible only if reproduction is without alteration and is accompanied by all associated warranties, conditions, limitations, and notices. TI is not responsible or liable for such altered documentation. Information of third parties may be subject to additional restrictions.

Resale of TI components or services with statements different from or beyond the parameters stated by TI for that component or service voids all express and any implied warranties for the associated TI component or service and is an unfair and deceptive business practice. TI is not responsible or liable for any such statements.

Buyer acknowledges and agrees that it is solely responsible for compliance with all legal, regulatory and safety-related requirements concerning its products, and any use of TI components in its applications, notwithstanding any applications-related information or support that may be provided by TI. Buyer represents and agrees that it has all the necessary expertise to create and implement safeguards which anticipate dangerous consequences of failures, monitor failures and their consequences, lessen the likelihood of failures that might cause harm and take appropriate remedial actions. Buyer will fully indemnify TI and its representatives against any damages arising out of the use of any TI components in safety-critical applications.

In some cases, TI components may be promoted specifically to facilitate safety-related applications. With such components, TI's goal is to help enable customers to design and create their own end-product solutions that meet applicable functional safety standards and requirements. Nonetheless, such components are subject to these terms.

No TI components are authorized for use in FDA Class III (or similar life-critical medical equipment) unless authorized officers of the parties have executed a special agreement specifically governing such use.

Only those TI components which TI has specifically designated as military grade or "enhanced plastic" are designed and intended for use in military/aerospace applications or environments. Buyer acknowledges and agrees that any military or aerospace use of TI components which have **not** been so designated is solely at the Buyer's risk, and that Buyer is solely responsible for compliance with all legal and regulatory requirements in connection with such use.

TI has specifically designated certain components which meet ISO/TS16949 requirements, mainly for automotive use. Components which have not been so designated are neither designed nor intended for automotive use; and TI will not be responsible for any failure of such components to meet such requirements.

Products

Audio	www.ti.com/audio
Amplifiers	amplifier.ti.com
Data Converters	dataconverter.ti.com
DLP® Products	www.dlp.com
DSP	dsp.ti.com
Clocks and Timers	www.ti.com/clocks
Interface	interface.ti.com
Logic	logic.ti.com
Power Mgmt	power.ti.com
Microcontrollers	microcontroller.ti.com
RFID	www.ti-rfid.com
OMAP Applications Processors	www.ti.com/omap
Wireless Connectivity	www.ti.com/wirelessconnectivity

Applications

Automotive and Transportation	www.ti.com/automotive
Communications and Telecom	www.ti.com/communications
Computers and Peripherals	www.ti.com/computers
Consumer Electronics	www.ti.com/consumer-apps
Energy and Lighting	www.ti.com/energy
Industrial	www.ti.com/industrial
Medical	www.ti.com/medical
Security	www.ti.com/security
Space, Avionics and Defense	www.ti.com/space-avionics-defense
Video and Imaging	www.ti.com/video

TI E2E Community

e2e.ti.com