

## Excellent Integrated System Limited

Stocking Distributor

Click to view price, real time Inventory, Delivery & Lifecycle Information:

[Bel Fuse Inc.](#)  
[ATT-0219-01-NNN-02](#)

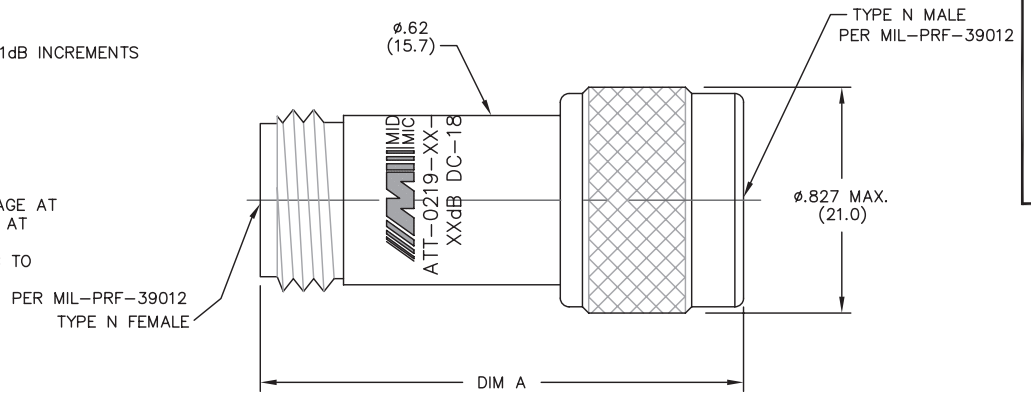
For any questions, you can email us directly:  
[sales@integrated-circuit.com](mailto:sales@integrated-circuit.com)

**NOTES:**

- 1.0 ELECTRICAL SPECIFICATIONS:
- 1.1 FREQUENCY RANGE: DC TO 18 GHz
- 1.2 ATTENUATION VALUES: 1 THRU 60dB IN 1dB INCREMENTS
- 1.3 ATTENUATION ACCURACY:
  - 1.3.1 1-6dB ±0.3dB
  - 1.3.2 7-20dB ±0.5dB
  - 1.3.3 21-40dB ±1.0dB
  - 1.3.4 41-60dB ±1.5dB
- 1.4 IMPEDANCE: 50 OHMS
- 1.5 MAXIMUM VSWR: 1.07 +0.015f(GHz)
- 1.6 MAXIMUM INPUT POWER: 2 WATTS AVERAGE AT +40°C DERATED LINEARLY TO 0.5 WATTS AT +125°C
- 1.7 OPERATING TEMPERATURE RANGE: -54°C TO +125°C

2.0 MARKING: MARK UNIT USING LABEL INK-02583-27-XX

3.0 DIMENSIONS IN PARENTHESIS ARE IN MILLIMETERS



MODEL NUMBER  
ATT-0219-XX-NNN-02

21 thru 60	2.05(52.1)
0 thru 20	1.77(45.0)
dB VALUE	DIM A

DWG NO. WAS: 02356-01-00

REV.	DESCRIPTION	DATE
-	RELEASED	9/14/92
A	ECR 0348	6/14/92
B	ECR 2965	7/1/84
C	ECR 5722	11/20/87
D	ECR 6545	6/29/89
E	ECN 11287	7/5/92
F	REDRAW ON CAD	8/13/92
G	ECN 12350	1/29/93
H	ECN 15536	10/15/96
H1	ADDED TITLEBLOCK	3/21/05

<p><b>NOTICE:</b> The information contained in this drawing is proprietary and must not be used without the permission of Cinch Connectivity Solutions.</p> <p>UNLESS OTHERWISE NOTED DIMENSIONS ARE IN INCHES AND TOLERANCES ARE:          3 PLACE DECIMALS ±.005          2 PLACE DECIMALS ±.02          FRACTIONS ±1/64          PARALLELITY: T.I.R. _____          FLATNESS: T.I.R. _____          CONCENTRICITY: T.I.R. _____          ANGLES AND PERPENDICULARITY: ±1'</p>	CASE CODE <b>34078</b>		<b>MIDWEST MICROWAVE</b>	
	DRAWN/DATE A.BEAITY 8/13/92		ENG/DATE G.KOZAK 9/14/92	
CHECKED/DATE M.HOLLMAN 9/2/92		APPROVED/DATE		
TITLE ATTENUATOR OUTLINE DRAWING			DRAWING NUMBER ATT-0219-XX-NNN-02-01	REV. H1
SCALE: 5=1			SHEET 1 of 1	