

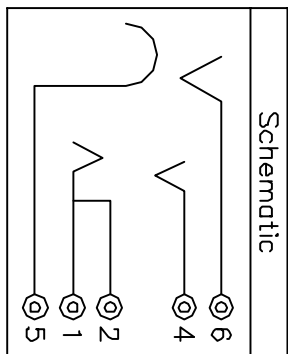
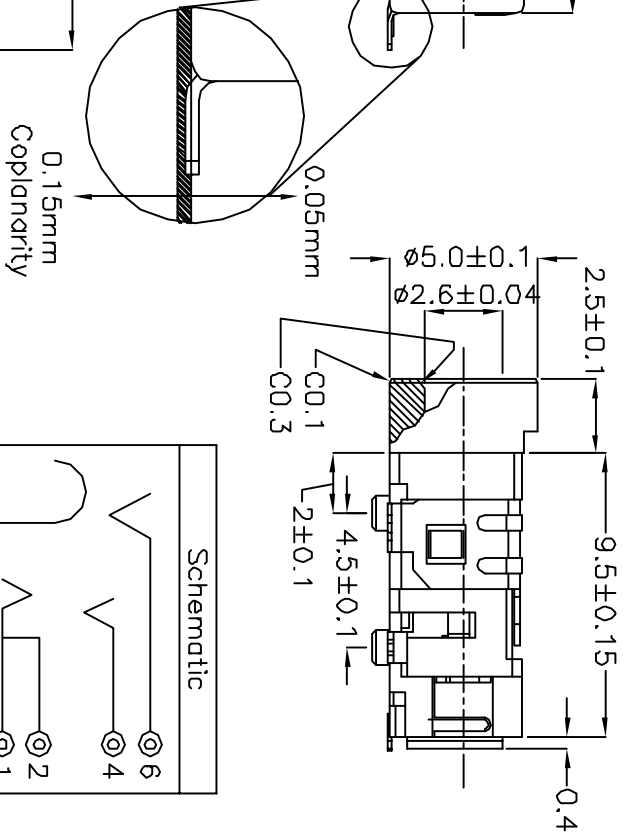
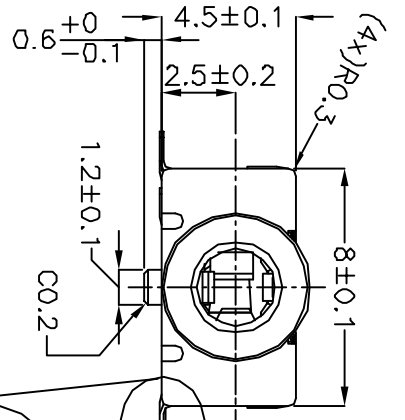
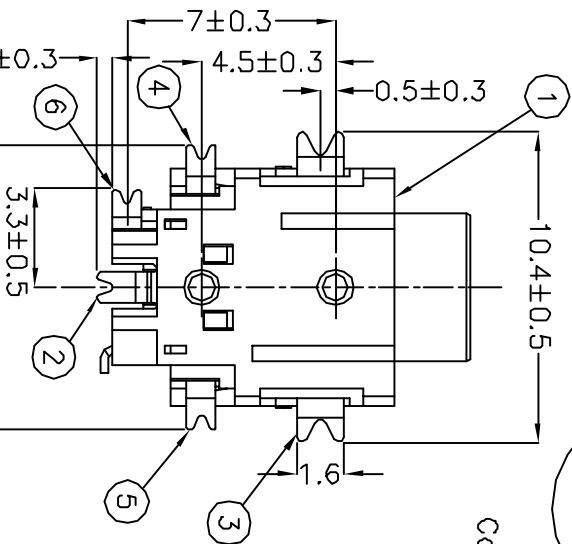
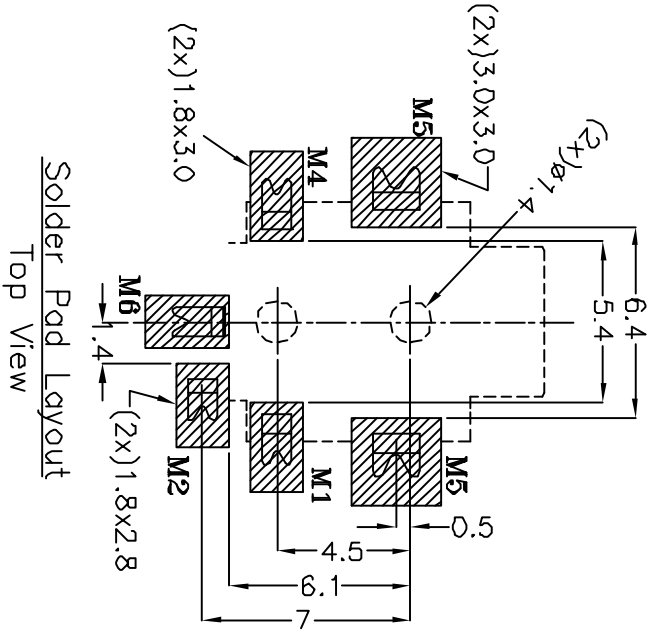
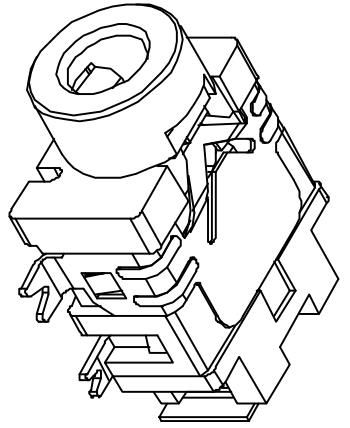
Excellent Integrated System Limited

Stocking Distributor

Click to view price, real time Inventory, Delivery & Lifecycle Information:

[CUI Inc.](#)
[SJ-42535RS-SMT](#)

For any questions, you can email us directly:
sales@integrated-circuit.com



6	R-Shunt(M2)	Brass	Silver	1	25T
5	Tip(M4)	Cu-Ti	Silver	1	25T
4	Ring(M1)	PBS(5210)	Silver	1	20T
3	Extra Ring(M5)	PBS(5210)	Silver	1	20T
2	Ground(M6)	PBS(5210)	Silver	1	20T
1	Housing(P1)	NY6T/NY9T		1	

Item Name	Material	Finish	Qty	Note	
6	R-Shunt(M2)	Brass	Silver	1	25T
5	Tip(M4)	Cu-Ti	Silver	1	25T
4	Ring(M1)	PBS(5210)	Silver	1	20T
3	Extra Ring(M5)	PBS(5210)	Silver	1	20T
2	Ground(M6)	PBS(5210)	Silver	1	20T
1	Housing(P1)	NY6T/NY9T		1	



9615 SW Allen, Suite 103
 Beaverton, OR 97005
 Phone: (503) 645-4899
 800-275-4899
 Fax: (503) 372-1266
 Website: www.cui.com

TITLE: **SMT Audio Jack w/4 Conductors 2.5mm**

PART NO.: **SJ-42535RS-SMT** UNITS: **Millimeters**

SCALE: **4X**
 DRAWN BY: **Todd R. White** APPROVED BY:

Specifications
 Rated Voltage: 16 VDC
 Rated Current: 300MA
 Contact Resistance: 100 mOHMS or less under all conditions including after life testing.
 Insulation Resistance: 100 M OHMS or greater at 500 VDC.
 Dielectric Withstand Voltage: 500V AC RMS for 1 minute
 Life: 5,000 cycles min.

Solder Pad Layout
 Top View

Bottom View