

Excellent Integrated System Limited

Stocking Distributor

Click to view price, real time Inventory, Delivery & Lifecycle Information:

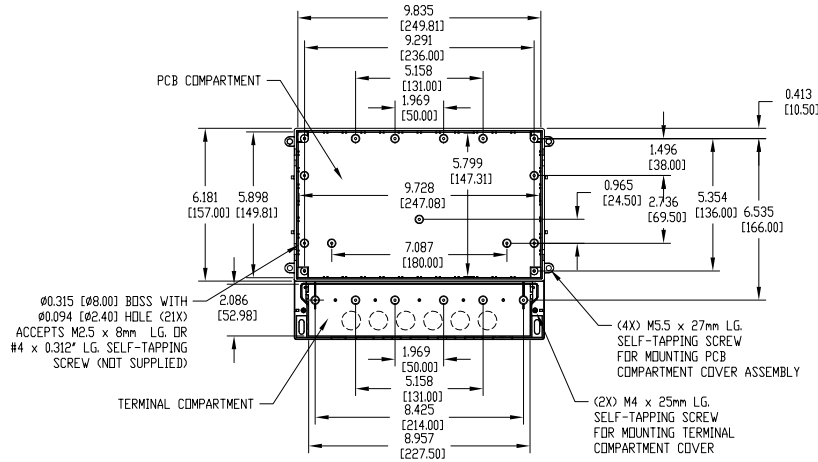
[BUD Industries, Inc.](#)

[DCH-11923](#)

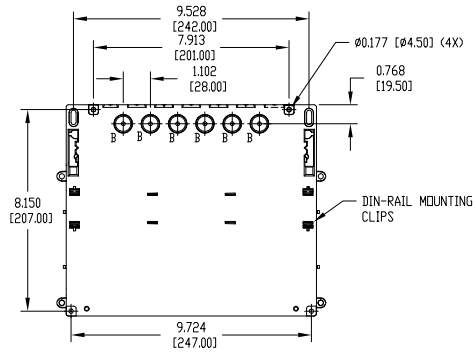
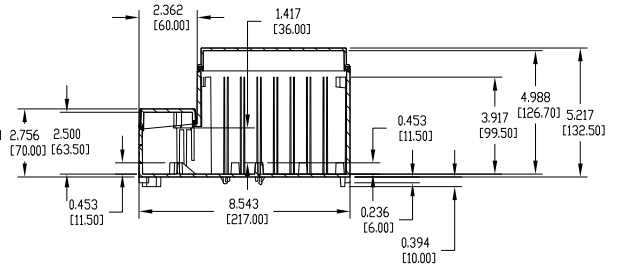
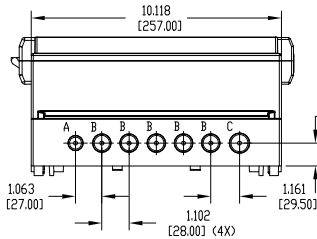
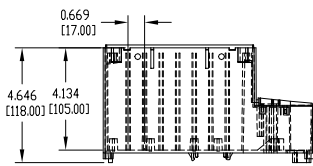
For any questions, you can email us directly:

sales@integrated-circuit.com

PART NAME	DUAL-COMPARTMENT ENCLOSURE w/HINGED COVER	PART No.	DCH-11923	REV. DATE	7-30-12
-----------	---	----------	-----------	-----------	---------



MATERIAL:
 BODY & TERMINAL COMPARTMENT COVER - LIGHT GRAY HIGH IMPACT ABS
 PCB COMPARTMENT COVER - BLUE TINTED POLYCARBONATE (UL 94-HB)
 SILICONE SPONGE GASKET IN BOTH COVERS



	KNICKOUT DIMENSION	CABLE GLAND
A	Ø0.614 [15.6mm]	PG 9(OR M12)
B	Ø0.748 [19.0mm]	PG 11(OR M16)
C	Ø0.819 [20.8mm]	PG 13.5(OR M20)

ALL DIMENSIONS HAVE ±0.015 TOLERANCE UNLESS OTHERWISE SPECIFIED