

## Excellent Integrated System Limited

Stocking Distributor

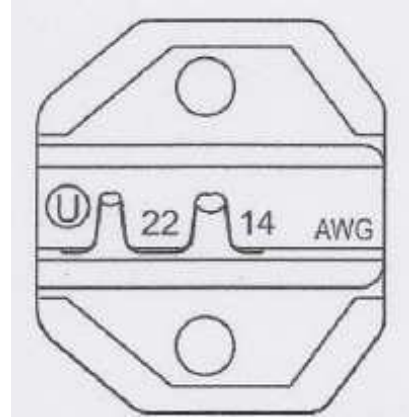
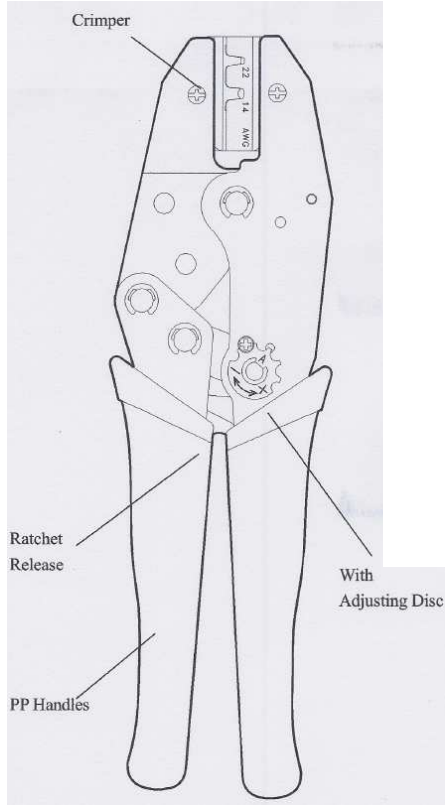
Click to view price, real time Inventory, Delivery & Lifecycle Information:

[Bel Fuse Inc.](#)  
[24-8644P](#)

For any questions, you can email us directly:  
[sales@integrated-circuit.com](mailto:sales@integrated-circuit.com)



DESCRIPTION: D-SUB RATCHET CRIMP TOOL, 14-22 AWG  
 MODEL NUMBER: 24-8644P  
 CRIMP TOOL: N/A  
 IMPEDANCE: N/A  
 FREQUENCY RANGE: N/A  
 MATERIAL: FRAME - MIDDLE CARBON STEEL  
 CRIMPER - MADE OF OFF WAX  
 RoHS COMPLIANCE: N/A  
 TECHNICAL DETAIL: N/A  
 LENGTH: 8.7" (220mm)  
 WEIGHT: 500g



		<b>AIM-Cambridge</b>	
	RoHS2 <input checked="" type="checkbox"/> 2011/65/EU	Title: D-Sub Ratchet Tool, 14-22AWG and V.35 Contacts Gauge	
<small>This PROPRIETARY Document is property of Cinch Connectivity Solutions. It is confidential in nature, not for release, and is valid only for the use intended or copied without permission and is not to be distributed.</small>		Model No. 24-8644P	Date: 2015/5/18
<small>UNLESS OTHERWISE SPECIFIED:          UNITS: METRIC          -X ±.2-          -XX ±.07-          ANGLES ±2°</small>		Size A DO NOT SCALE DRAWING	Sheet 1 of 1