

## Excellent Integrated System Limited

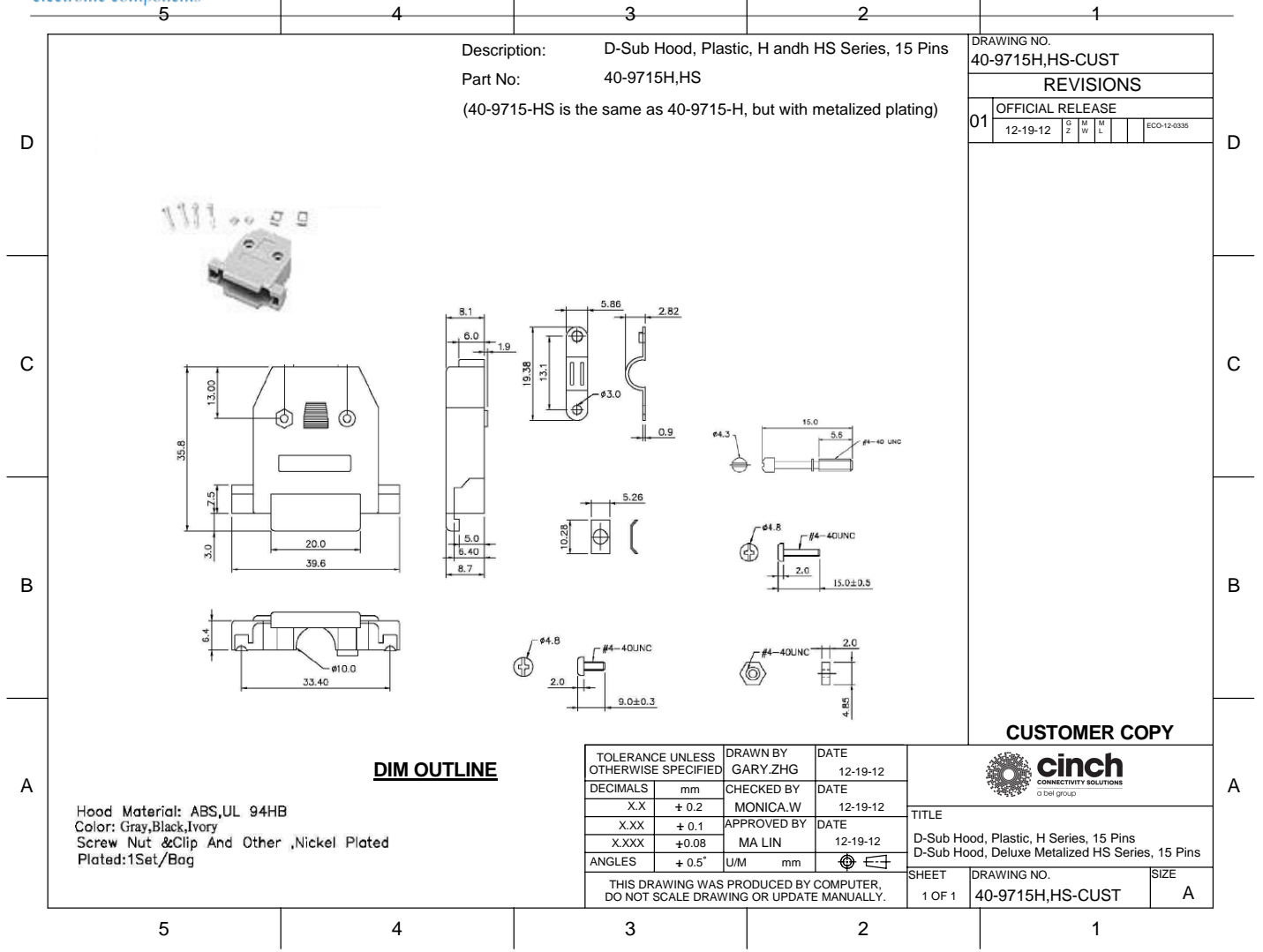
Stocking Distributor

Click to view price, real time Inventory, Delivery & Lifecycle Information:

[Bel Fuse Inc.](#)  
[40-9715HS](#)

For any questions, you can email us directly:

[sales@integrated-circuit.com](mailto:sales@integrated-circuit.com)



DRAWING NO. 40-9715HS-CUST	
<b>REVISIONS</b>	
01	OFFICIAL RELEASE
12-19-12	ECO-12-0335

**CUSTOMER COPY**

TOLERANCE UNLESS OTHERWISE SPECIFIED	DRAWN BY GARY.ZHG	DATE 12-19-12
DECIMALS	CHECKED BY MONICA.W	DATE 12-19-12
X.XX	APPROVED BY MA LIN	DATE 12-19-12
X.XXX	U/M	mm
ANGLES	THIS DRAWING WAS PRODUCED BY COMPUTER. DO NOT SCALE DRAWING OR UPDATE MANUALLY.	

TITLE D-Sub Hood, Plastic, H Series, 15 Pins D-Sub Hood, Deluxe Metalized HS Series, 15 Pins	
SHEET 1 OF 1	DRAWING NO. 40-9715HS-CUST
SIZE A	