

Excellent Integrated System Limited

Stocking Distributor

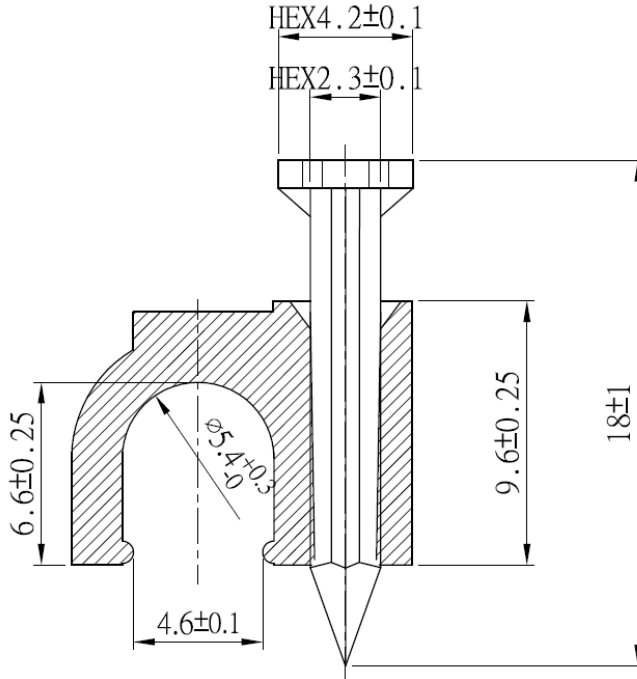
Click to view price, real time Inventory, Delivery & Lifecycle Information:

[Bel Fuse Inc.](#)
[25-7250](#)

For any questions, you can email us directly:
sales@integrated-circuit.com



DESCRIPTION:	CABLE CLIP, RG59 SINGLE WHITE
MODEL NUMBER:	25-7250
APPLICATION:	PLASTIC CABLE CLIPS WITH MOUNTING NAIL
CRIMP TOOL:	N/A
IMPEDANCE:	N/A
FREQUENCY RANGE:	N/A
MATERIAL:	NAIL STEEL
	BRACKET PE COLOR WHITE
RoHS COMPLIANCE:	YES
TECHNICAL DETAIL:	N/A



<p>This PROPRIETARY Document is property of Cinch Connectivity Solutions. It is confidential, non-transferable, and unclassified. It is to be used only for the purpose specified and not to be reproduced or distributed without prior written permission from Cinch Connectivity Solutions.</p> <p>INTERPRET DRAWING IN ACCORDANCE WITH ASME Y14.5-2009.</p>		AIM-Cambridge	
	RoHS 2002/95/EC UNLESS OTHERWISE SPECIFIED: UNITS: METRIC .XX ±.51 .XXX ±.127 ANGLES ±2°	Title: Cable Clip, RG59 Single White	Model No. 25-7250
		DO NOT SCALE DRAWING	Date: 9/25/2013
		Sheet 1 of 1	