

Excellent Integrated System Limited

Stocking Distributor

Click to view price, real time Inventory, Delivery & Lifecycle Information:

[Molex Connector Corporation](#)
[0334721202](#)

For any questions, you can email us directly:

sales@integrated-circuit.com

20 19 18 17 16 15 14 13 12 11 10 9 8 7 6 5 4 3 2 1

TABLE OF CONTENTS	
SHEET NO.	SHEET DESCRIPTION
1	NOTES AND BOM
2	CONFIGURATIONS
3-4	KEY CONFIGURATIONS
5	RECEPTACLE CONNECTOR ASSEMBLY
6	BACKSHELL NOTES
7	BACKSHELL
8	BACKSHELL CONFIGURATIONS
9	2X10 CONNECTOR INTERFACE DEFINITION

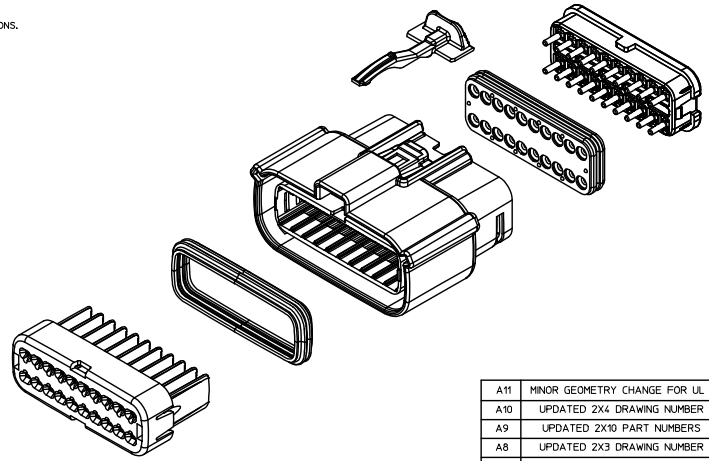
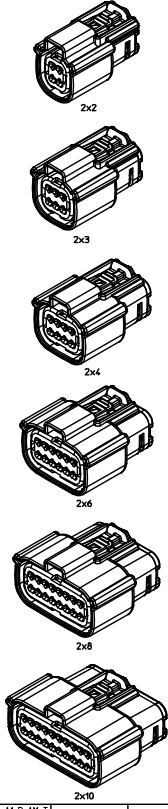
NOTES: VALID UNLESS OTHERWISE SPECIFIED

1. GENERAL:
 - a. APPLICATION SPECIFICATION SEE: AS-33472-100
 - CONTAINS: PRODUCT INTRODUCTION, PRODUCT SUMMARY, CONNECTOR ASSEMBLY, PACKAGING INFORMATION, CONNECTOR MATING, SERVICE INSTRUCTIONS, ELECTRICAL CONTINUITY CHECKING, CRIMPING, AND TROUBLESHOOTING.
 - DESIGNED TO MATE WITH DEVICE OR CONNECTOR AS SPECIFIED IN THE MATING INTERFACE/CONNECTOR DRAWINGS CHART.
 - DENOTES DRAWINGS THAT CAN BE ACCESSED AT <http://ewc.apc.com/teams.org/>.
 - ASSEMBLY SHIPPED WITH PLR IN PRE-LOCK POSITION (SEE PLR PRE-LOCK VIEW SHEET 5).
 - b. PRODUCT SPECIFICATION SEE:
 - STANDARD CONFIGURATION (STD): PS-33472-000
 - TRANSMISSION CONFIGURATION (TRNS):
 - CONTAINS SILICONE: TS-160038-0001
 - SILICONE FREE: TBD
 - UL V0 CONFIGURATION (UL V0): TBD
 - CONTAINS: PRODUCT INTRODUCTION, PRODUCT SUMMARY, RATINGS (CURRENT, TEMPERATURE, SEALING, AND FLAMMABILITY), TERMINALS, WIRE DIAMETER RANGE, PRODUCT VALIDATION, AND PRODUCT DEVIATIONS.
 - c. PACKAGING SPECIFICATION PER MOLEX DRAWING. SEE PACKAGING CHART
 - d. PARTS MUST BE IN COMPLIANCE TO MOLEX CHEMICAL SUBSTANCES FOR PRODUCTS AND PACKAGING SPECIFICATION OHS-699000-301
 - e. DATA MUST BE SUBMITTED UNDER THE MOLEX PART NUMBER TO IMDS (COMPANY ID=9225)
2. DESIGN - MATERIALS:
 - a. FOR BILL OF MATERIALS SEE:
 - STANDARD CONFIGURATION SD-33472-0002
 - TRANSMISSION CONFIGURATION
 - CONTAINS SILICONE: SD-160038-0002
 - SILICONE FREE: SD-160092-0002
 - UL V0 CONFIGURATION SD-160074-0002
 - b. TRANSMISSION CONNECTOR COMPONENTS MUST MEET THE MATERIAL REQUIREMENTS SPECIFIED IN TS-160038-0001 & TBD
3. DESIGN - GEOMETRY:
 - a. THE 3-D CAD DATA IS BASIC (WITHOUT TOLERANCE) AND MASTER FOR THIS PART WITH THE EXCEPTION OF UNDERLINED DIMENSIONS. DIMENSIONAL INFORMATION NOT SHOWN ON THIS DRAWING IS DEFINED BY THE DATA FILE AT ITS LATEST REVISION.
 - b. GEOMETRIC DIMENSIONS AND TOLERANCES PER ASME Y14.5M-2009
 - c. EDGES AND UNDIMENSIONED DETAILS PER ISO13715
 - d. CORNERS SHOWN AS SHARP TO BE R 0.2 MAX.
 - e. LETTERING SHALL BE 0.5 MAX RAISED IN 0.25 MAX RECESS PAD. THIS INCLUDES RECYCLING CODE, CAVITY ID, VENDOR IDENTIFICATION, AND CUSTOMER MATERIAL NUMBER.
 - f. VISUAL DEFECTS SHALL MEET COSMETIC STANDARD PS-45499-002 (CLASS B).
9. LASER MARKING:
 1. PART NUMBER
 2. DAY OF THE YEAR
 3. SHIFT
 4. YEAR

FOR ADDITIONAL INFORMATION SEE SECTION 5 UNDER PROCEDURES IN ES-34735-008.

PACKAGING	
DESCRIPTION	DRAWING NO.
2X2	PK-31300-635
2X3	PK-31300-903
2X4	PK-31300-903
2X6	PK-31300-903
2X8	PK-31300-903
2X10	PK-31300-903

MATING INTERFACE/CONNECTOR DRAWINGS		
DESCRIPTION	INTERFACE DEFINITION	MOLEX IN-LINE
STANDARD 2X2	*150-S-004-2-Z02	SD-33482-0001
UL V0 2X2	*150-S-004-2-Z02	SD-33482-0001
STANDARD 2X3	*150-S-006-2-Z02	SD-33482-0001
TRANSMISSION 2X3	*150-S-006-2-Z02	N/A
STANDARD 2X4	*150-S-008-2-Z02	SD-33482-0001
UL V0 2X4	*150-S-008-2-Z02	SD-33482-0001
STANDARD 2X6	*150-S-012-2-Z01	SD-33482-0001
STANDARD 2X8	*150-S-016-2-Z01	SD-33482-0001
STANDARD 2X10	SD-33472-0001	SD-33482-0001
UL V0 2X10	SD-33472-0001	SD-33482-0001



A11	MINOR GEOMETRY CHANGE FOR UL V0
A10	UPDATED 2X4 DRAWING NUMBER
A9	UPDATED 2X10 PART NUMBERS
A8	UPDATED 2X3 DRAWING NUMBER
A7	UPDATED 2X10 INTERFACE
A6	ADDED TRANSMISSION REFERENCES
A5	ADD 2X10 INTERFACE SHEETS
A4	ADD UL V0 CONFIGURATIONS
A3	ADDED 2X3 STD AND TRANSMISSION
A2	UPDATED 2X8 BLD DRAWINGS
A1	FIXED TYPO IN NOTE 1a, UPDATED 2X6 MOLEX IN-LINE BLADE DRAWING
A	INITIAL RELEASE

INSPECTION NUMBER LOG	
LAST NUMBER: 11	
ADDED: 11	
REMOVED:	
REV	REV DESCRIPTION

ENTER DESCRIPTION EUC NO. 141006-5539 DRAWING NO. 0334721202 CHKD: APPROVED: 2014/05/14 REV: A11	QUALITY SYMBOLS	GENERAL TOLERANCES (UNLESS SPECIFIED)		DIMENSION STYLE		DRAWN BY DATE APPROFIT 2014/05/14 CHECKED BY DATE	TITLE MX150 RCPT DUAL ROW SEALED ASSEMBLY MAT SEAL molex	SHEET NO. 1 OF 9
		mm	INCH	MM ONLY	SCALE 1.5:1			
	▽=0	4 PLACES ±---	±---					
	▽=0	3 PLACES ±---	±---					
	▽=0	2 PLACES ±0.10	±---					
	▽=0	1 PLACE ±0.2	±---					
	▽=0	0 PLACE ±---	±---					
		ANGULAR ± 1°						
		DRAFT WHERE APPLICABLE MUST REMAIN WITHIN DIMENSIONS						
		SEE NOTE 2a.						
		THIS DRAWING CONTAINS INFORMATION THAT IS PROPRIETARY TO MOLEX AND SHOULD NOT BE USED WITHOUT WRITTEN PERMISSION						

19 18 17 16 15 14 13 12 11 10 9 8 7 6 5 4 3 2 1

20 19 18 17 16 15 14 13 12 11 10 9 8 7 6 5 4 3 2 1

SHEET DESCRIPTION
CONFIGURATIONS

 2X2 - STD. 2X2 - TRNS. - SILICONE FREE †	 2X2 - STD. - LENGTHENED	 † 2X2 - UL V0	
 2X3 - STD. 2X3 - TRNS. - CONTAINS SILICONE †	 2X3 - STD. - WITH CLIPSLOT *		
 2X4 - STD.	 2X4 - STD. - WITH CLIPSLOT *	 † 2X4 - UL V0	 † 2X4 - UL V0 - WITH CLIPSLOT *
 2X6 - STD.	 2X6 - STD. - WITH CLIPSLOT *		
 2X8 - STD.			
 2X10 - STD.		 † 2X10 - UL V0	

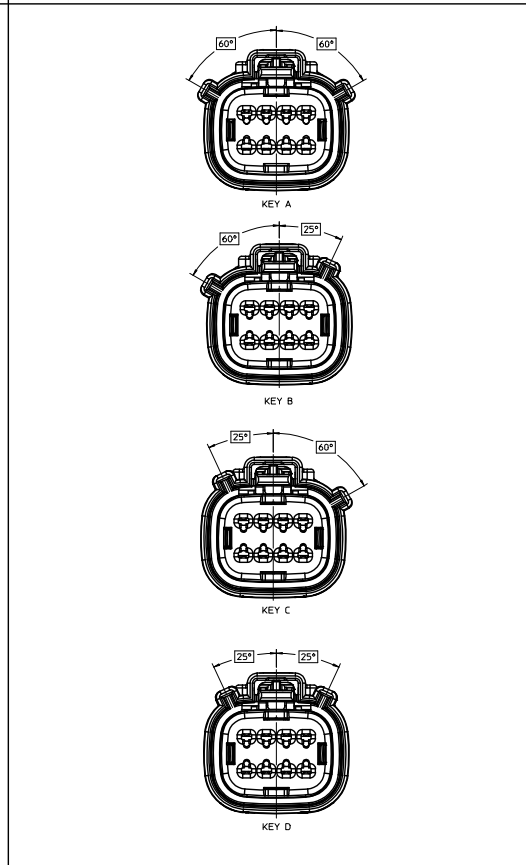
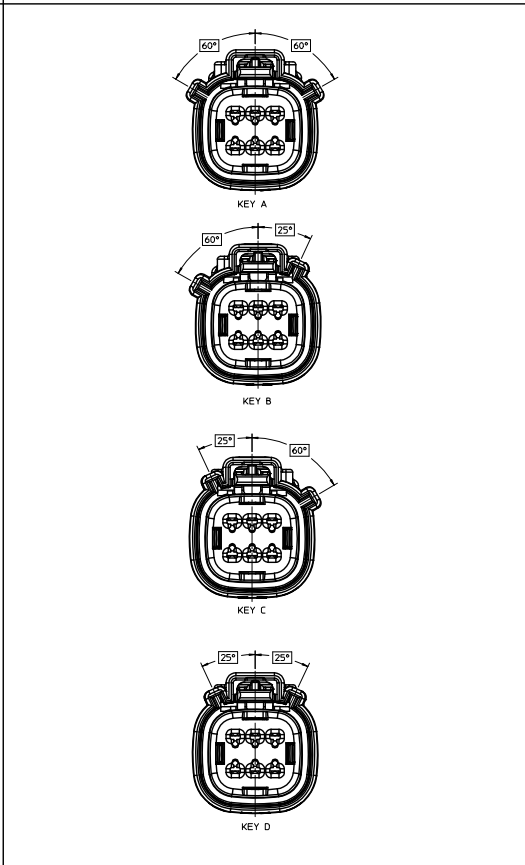
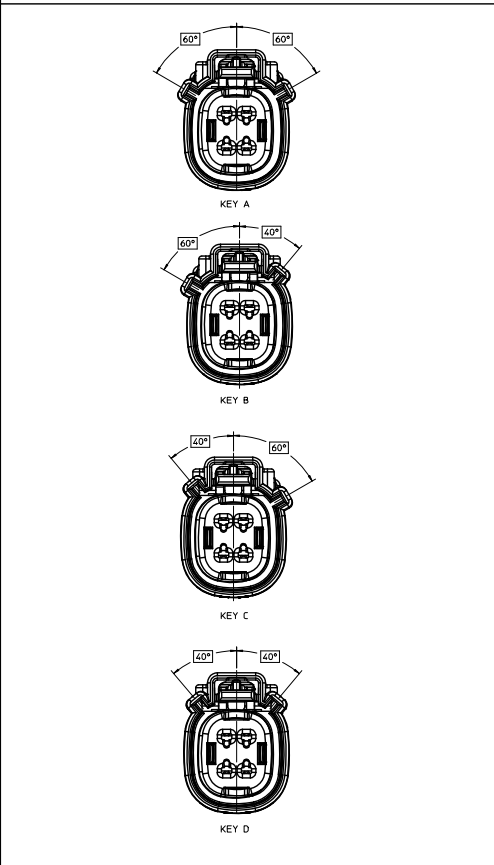
* WITH CLIPSLOT CONFIGURATION DOES NOT MEET THE USCAR PACKAGING FRAME REQUIREMENTS
† MINOR GEOMETRY DIFFERENCE THAN STANDARD CONFIGURATION. SEE NOTES 1a & 2a-b FOR MORE INFORMATION

ENTER DESCRIPTION ECN NO. 0334721202-1539 DRAWING DATE 2/16/10/08 CHGK. APPROVED/OKSI. 2014/05/24 REV. A11	QUALITY SYMBOLS	GENERAL TOLERANCES (UNLESS SPECIFIED)	DIMENSION STYLE	SCALE	DESIGN UNITS	THIRD ANGLE PROJECTION
	▽=0	mm INCH	MM ONLY	1:5:1	METRIC	
	▽=0	4 PLACES ± --- ± ---	DRAWN BY DATE			
	▽=0	3 PLACES ± --- ± ---	APPROFIT 2014/05/14			
▽=0	2 PLACES ± 0.10 ± ---	CHECKED BY DATE				TITLE
▽=0	1 PLACE ± 0.2 ± ---	APPROVED BY DATE				MX150 RCPT
▽=0	0 PLACE ± --- ± ---	W. KOSHY 2014/06/27				DUAL ROW SEALED ASSEMBLY
	ANGULAR ± 1°	NATURAL NO.				MAT SEAL
	DRAFT WHERE APPLICABLE MUST REMAIN WITHIN DIMENSIONS	SEE NOTE 2a.				molex
		SIZE 1				DOCUMENT NO. SD-33472-0001
						SHEET NO. 2 OF 9
						THIS DRAWING CONTAINS INFORMATION THAT IS PROPRIETARY TO MOLEX AND SHOULD NOT BE USED WITHOUT WRITTEN PERMISSION

19 18 17 16 15 14 13 12 11 10 9 8 7 6 5 4 3 2 1

20 19 18 17 16 15 14 13 12 11 10 9 8 7 6 5 4 3 2 1

SHEET DESCRIPTION
KEY CONFIGURATIONS

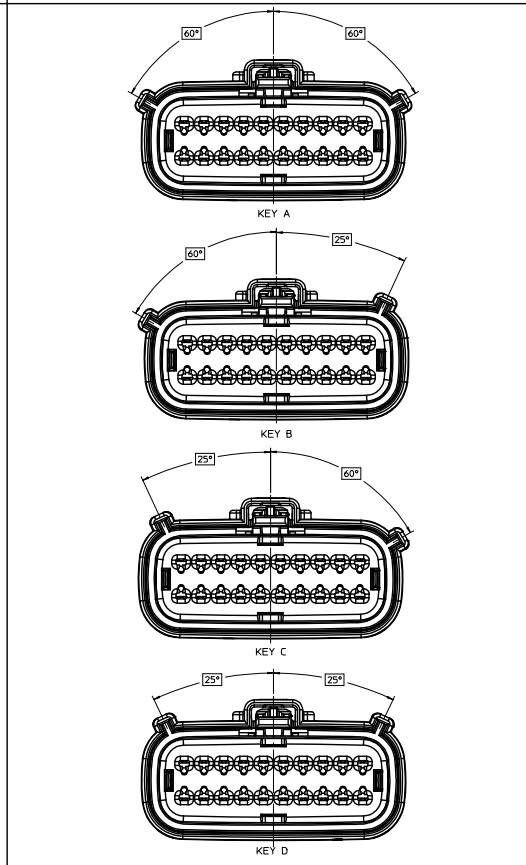
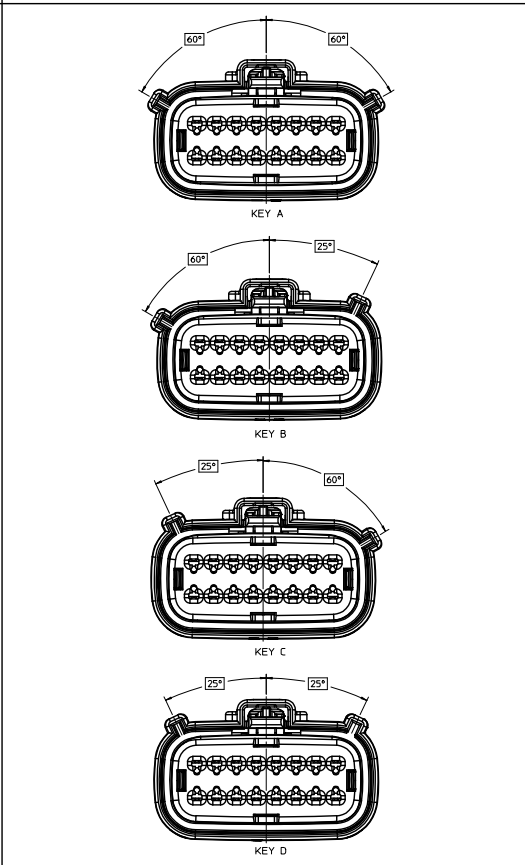
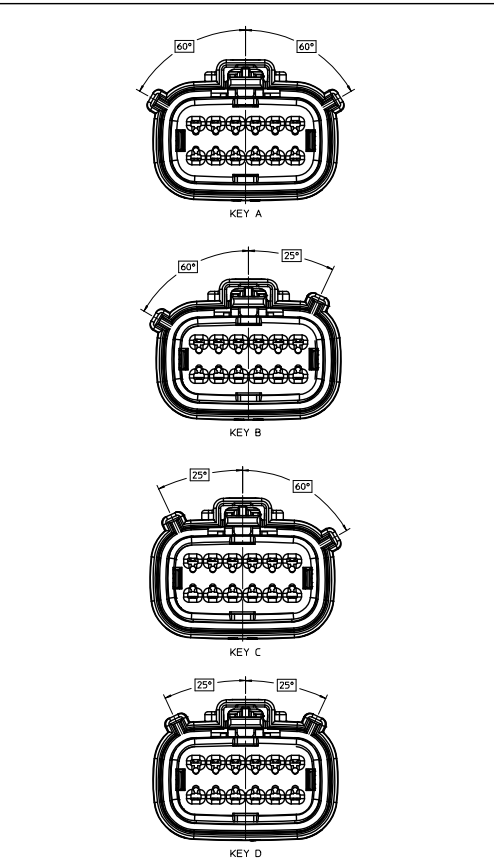


ENTER DESCRIPTION EC NO. VAL206-1539 DRAWING NO. 2014/05/14 CHKD. CHYK APPROVED BY: 2014/05/24 DESIGNED BY:	QUALITY SYMBOLS ∇=0 ∇=0 ∇=0	GENERAL TOLERANCES (UNLESS SPECIFIED)		DIMENSION STYLE MM ONLY		SCALE 3:1	DESIGN UNITS METRIC	THIRD ANGLE PROJECTION
		4 PLACES ± 0.10 ± 0.004 3 PLACES ± 0.15 ± 0.005 2 PLACES ± 0.20 ± 0.008 1 PLACE ± 0.25 ± 0.010 0 PLACE ± 0.30 ± 0.012	mm INCH --- --- --- --- --- --- --- --- --- ---	DRAWN BY DATE APROFFITT 2014/05/14 CHECKED BY DATE	TITLE MX150 RCPT DUAL ROW SEALED ASSEMBLY MAT SEAL		APPROVED BY DATE WKOSHY 2014/06/27	MATERIAL NO. DOCUMENT NO. SEE NOTE 2a. SD-33472-0001

R:\frame_A1_P_AKLT Rev. 5 2010/03/11

19 18 17 16 15 14 13 12 11 10 9 8 7 6 5 4 3 2 1

20	19	18	17	16	15	14	13	12	11	10	9	8	7	6	5	4	3	2	1
----	----	----	----	----	----	----	----	----	----	----	---	---	---	---	---	---	---	---	---



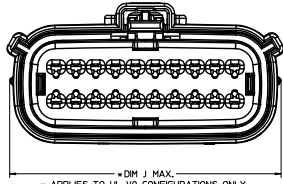
ENTER DESCRIPTION EC NO. UAL2046-1539 DRAWN BY TANG CHKO APPROVED BY JAFREKOSKI DATE 2014/05/08 2014/05/24 A11	QUALITY SYMBOLS ∇=0 ∇=0 ∇=0 ∇=0	GENERAL TOLERANCES (UNLESS SPECIFIED)		DIMENSION STYLE MM ONLY		SCALE 3:1 DESIGN UNITS METRIC THIRD ANGLE PROJECTION	
		4 PLACES ± 0.15	mm	INCH	DRAWN BY APROFIT		DATE 2014/05/14
		3 PLACES ± 0.10	mm	INCH	CHECKED BY		DATE
		2 PLACES ± 0.2	mm	INCH	APPROVED BY WKOSHY		DATE 2014/06/27
1 PLACE ± 0.2	mm	INCH	0 PLACE ± 0.2	mm	INCH	MATERIAL NO. SEE NOTE 2a. DOCUMENT NO. SD-33472-0001 SHEET NO. 4 OF 9	

19	18	17	16	15	14	13	12	11	10	9	8	7	6	5	4	3	2	1
----	----	----	----	----	----	----	----	----	----	---	---	---	---	---	---	---	---	---

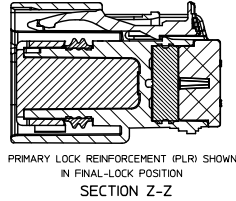
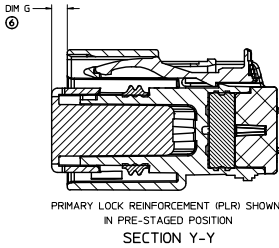
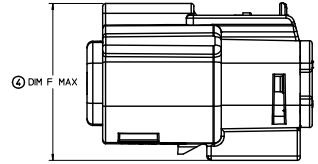
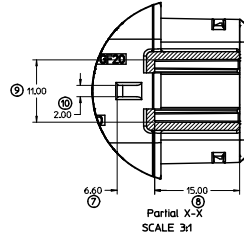
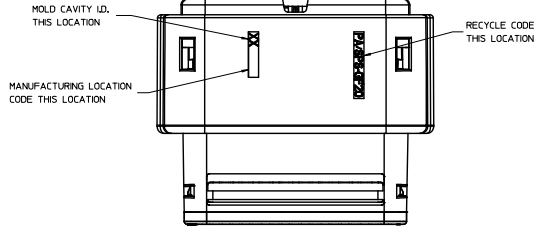
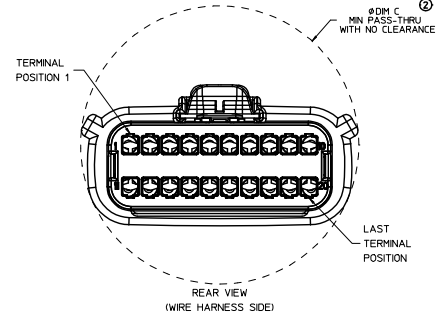
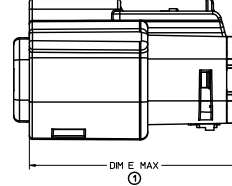
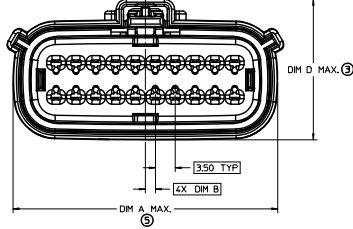
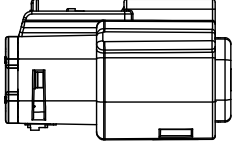
SHEET DESCRIPTION

RECEPTACLE CONNECTOR ASSEMBLY

DESCRIPTION	DIMENSIONS							
	A	B	C	D	E	F	G	J
2X2 STANDARD	18.58	1.75	25.45	24.81	37.65	N/A	2.75±0.50	20.04
2X2 LENGTHENED	18.58	1.75	25.45	24.81	42.25	N/A	2.75±0.50	
2X3 W/ CLIPSLOT	22.25	3.50	30.50	N/A	37.65	27.96	4.0±0.4	
2X3 W/O CLIPSLOT	22.25	3.50	24.24	24.90	37.65	N/A	4.0±0.4	
2X4 W/ CLIPSLOT	25.75	1.75	31.50	N/A	37.65	28.00	2.75±0.50	27.04
2X4 W/O CLIPSLOT	25.75	1.75	29.99	24.81	37.65	N/A	2.75±0.50	27.04
2X6 W/ CLIPSLOT	32.75	1.75	35.58	N/A	37.65	27.76	2.75±0.50	
2X6 W/O CLIPSLOT	32.75	1.75	35.58	24.90	37.65	N/A	2.75±0.40	
2X8 W/O CLIPSLOT	39.80	1.75	42.25	24.90	37.65	N/A	4.0±0.4	
2X10 W/O CLIPSLOT	46.75	1.75	49.05	24.90	37.65	N/A	2.75±0.50	48.04



LASER MARKING ON THIS SURFACE
SEE NOTE 3g.



ENTER DESCRIPTION ECN NO. 141706-9539 DRAWS/DATE CHKD. APPR/REV/DATE A11	QUALITY SYMBOLS ▽=0 ▽=0 ▽=0	GENERAL TOLERANCES (UNLESS SPECIFIED)		DIMENSION STYLE MM ONLY		SCALE 3:1	DESIGN UNITS METRIC	THIRD ANGLE PROJECTION
		mm	INCH	DRAWN BY	DATE			
		4 PLACES ±---	±---	APPROVED BY	DATE			
		3 PLACES ±---	±---	CHKD.	DATE			
		ANGULAR ± 1°		MATERIAL NO.		DOCUMENT NO.		SHEET NO. 5 OF 9
DRAFT WHERE APPLICABLE MUST REMAIN WITHIN DIMENSIONS		SEE NOTE 2a.		INCORPORATED AND SHOULD NOT BE USED WITHOUT WRITTEN PERMISSION		TITLE MX150 RCPT DUAL ROW SEALED ASSEMBLY MAT SEAL molex SD-33472-0001		

20	19	18	17	16	15	14	13	12	11	10	9	8	7	6	5	4	3	2	1
----	----	----	----	----	----	----	----	----	----	----	---	---	---	---	---	---	---	---	---

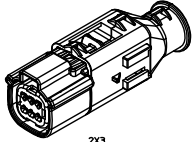
SHEET DESCRIPTION
BACKSHELL NOTES

BACKSHELL NOTES: VALID UNLESS OTHERWISE SPECIFIED

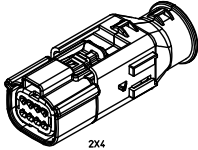
1. GENERAL:
a. APPLICATION SPECIFICATION SEE: AS-34951-001
-DESIGNED TO MATE WITH RECEPTACLE SEALED ASSEMBLY
-SPECIFIED IN MOLEX DRAWING SD-33472-0001
-SYSTEM TO BE USED WITH WIRE WITHIN DIAMETER RANGE OF 1.2mm TO 2.69mm.
-COMPONENTS ARE OPTIONAL AND MUST BE PURCHASED SEPERATELY.
-BACKSHELL DESIGN IS OWNED BY SChLEMMER.
-FOR ADDITIONAL INFORMATION SEE THE BACKSHELL COMPONENT DRAWING SD-34951-0001.

BACKSHELL CUSTOMER MODEL NUMBER LEGEND

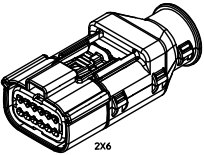
- 34951-XXXX
- CUSTOMER MODEL COMPONENTS
 - 0 - BACKSHELL ONLY
 - 1 - BACKSHELL & MX150 HOUSING KEY A ASSEMBLY
 - 2 - BACKSHELL & MX150 HOUSING KEY B ASSEMBLY
 - 3 - BACKSHELL & MX150 HOUSING KEY C ASSEMBLY
 - 4 - BACKSHELL & MX150 HOUSING KEY D ASSEMBLY
 - BACKSHELL FEATURES
 - 1 - WITH RIBS
 - 2 - WITHOUT RIBS
 - MX150 CIRCUIT SIZE 04, 06, 08, 12, 16, 20



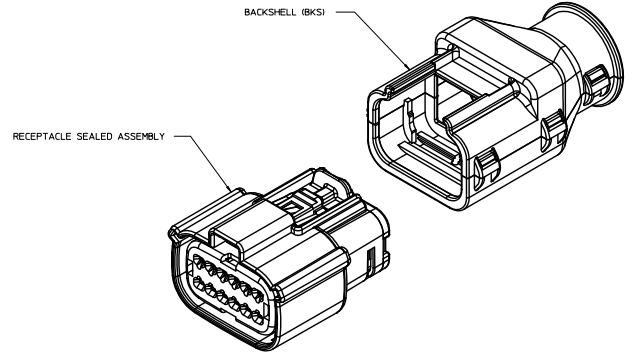
ZK3



ZK4



ZK6



RECEPTACLE SEALED ASSEMBLY

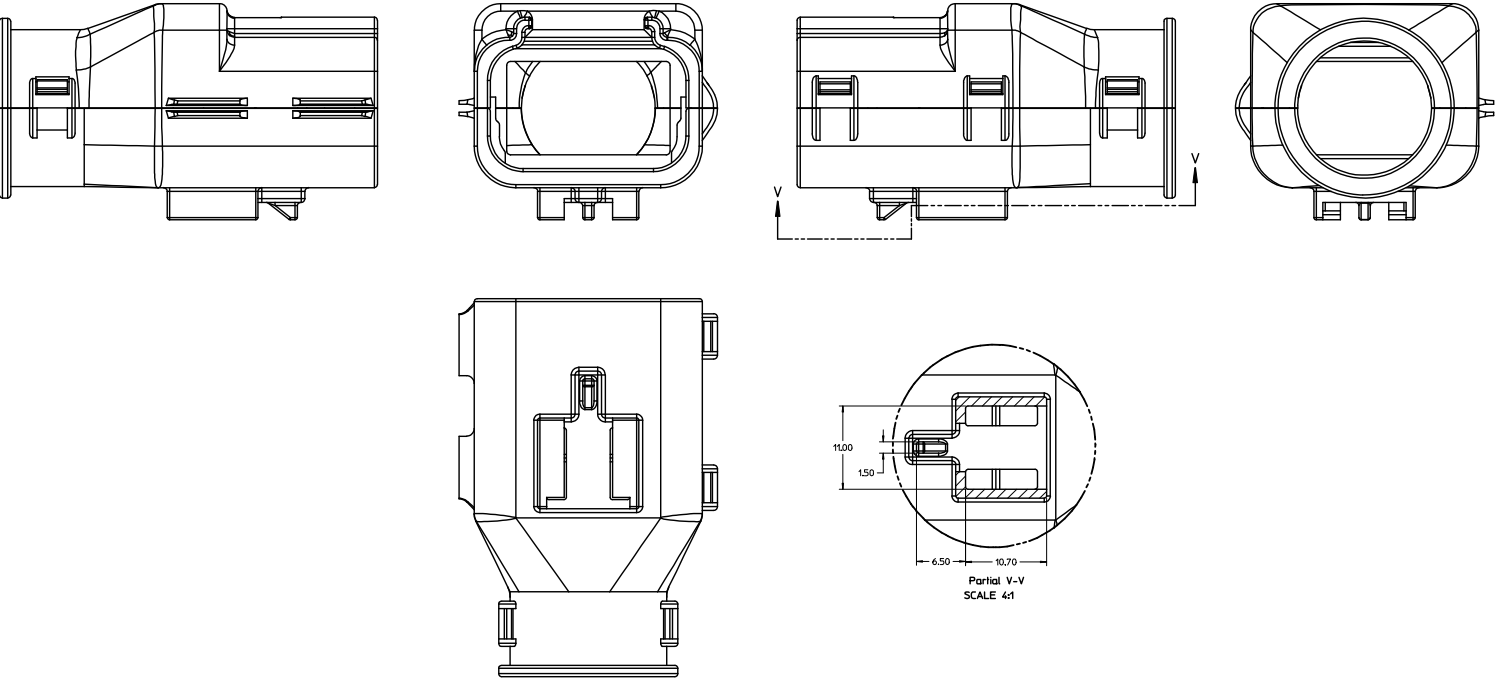
BACKSHELL (BK5)

ENTER DESCRIPTION ELEC NO. LAJ2006-1239 DRAWING NO. 033472-0001 CHNO: 033472-0001 APPROVED BY: [Signature] DATE: 2014/05/14	QUALITY SYMBOLS 4 PLACES ±0.10 3 PLACES ±0.20 2 PLACES ±0.30 1 PLACE ±0.40 0 PLACE ±0.50	GENERAL TOLERANCES (UNLESS SPECIFIED)		DIMENSION STYLE MM ONLY		SCALE 4:1	DESIGN UNITS METRIC	THIRD ANGLE PROJECTION	
		mm	INCH	DRAWN BY: [Signature] DATE: 2014/05/14		TITLE: MX150 RCPT DUAL ROW SEALED ASSEMBLY MAT SEAL			
		CHECKED BY: [Signature] DATE: 2014/06/27		APPROVED BY: [Signature] DATE: 2014/06/27		MATERIAL NO. [Blank] DOCUMENT NO. SD-33472-0001			
		ANGULAR ± 1°		DRAFT WHERE APPLICABLE MUST REMAIN WITHIN DIMENSIONS		SEE NOTE 2a.		SHEET NO. 6 OF 9	

19	18	17	16	15	14	13	12	11	10	9	8	7	6	5	4	3	2	1
----	----	----	----	----	----	----	----	----	----	---	---	---	---	---	---	---	---	---

20 19 18 17 16 15 14 13 12 11 10 9 8 7 6 5 4 3 2 1

SHEET DESCRIPTION
BACKSHELL



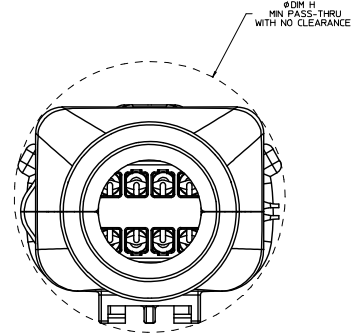
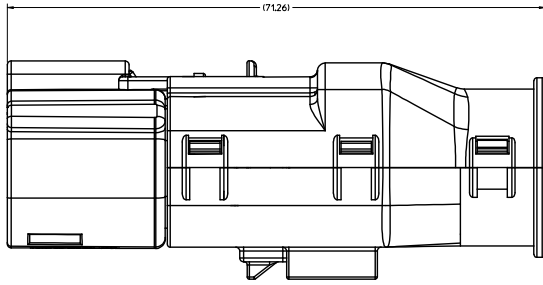
ENTER DESCRIPTION EC NO. UAI2046-1539 DRAWN BY TANG CHKD. CHEN APPROVED BY JAPREMEROSKI DATE 2014/05/24 SHEET NO. A11	QUALITY SYMBOLS	GENERAL TOLERANCES (UNLESS SPECIFIED)	DIMENSION STYLE	SCALE	DESIGN UNITS	THIRD ANGLE PROJECTION
	▽=0	mm INCH	MM ONLY	4:1	METRIC	☉
	▽=0	4 PLACES ±--- ±---	DRAWN BY DATE			
	▽=0	3 PLACES ±--- ±---	APPROFIT 2014/05/14			
	▽=0	2 PLACES ±0.10 ±---	CHECKED BY DATE			
▽=0	1 PLACE ±0.2 ±---	APPROVED BY DATE				
	0 PLACE ±--- ±---	WKOSHY 2014/06/27				
	ANGULAR ± 1°	PATERIAL NO.				
	DRAFT WHERE APPLICABLE MUST REMAIN WITHIN DIMENSIONS	SEE NOTE 2a				
		SIZE 1				
		THIS DRAWING CONTAINS INFORMATION THAT IS PROPRIETARY TO MOLEX INCORPORATED AND SHOULD NOT BE USED WITHOUT WRITTEN PERMISSION				

19 18 17 16 15 14 13 12 11 10 9 8 7 6 5 4 3 2 1

20 19 18 17 16 15 14 13 12 11 10 9 8 7 6 5 4 3 2 1

SHEET DESCRIPTION
BACKSHELL CONFIGURATIONS

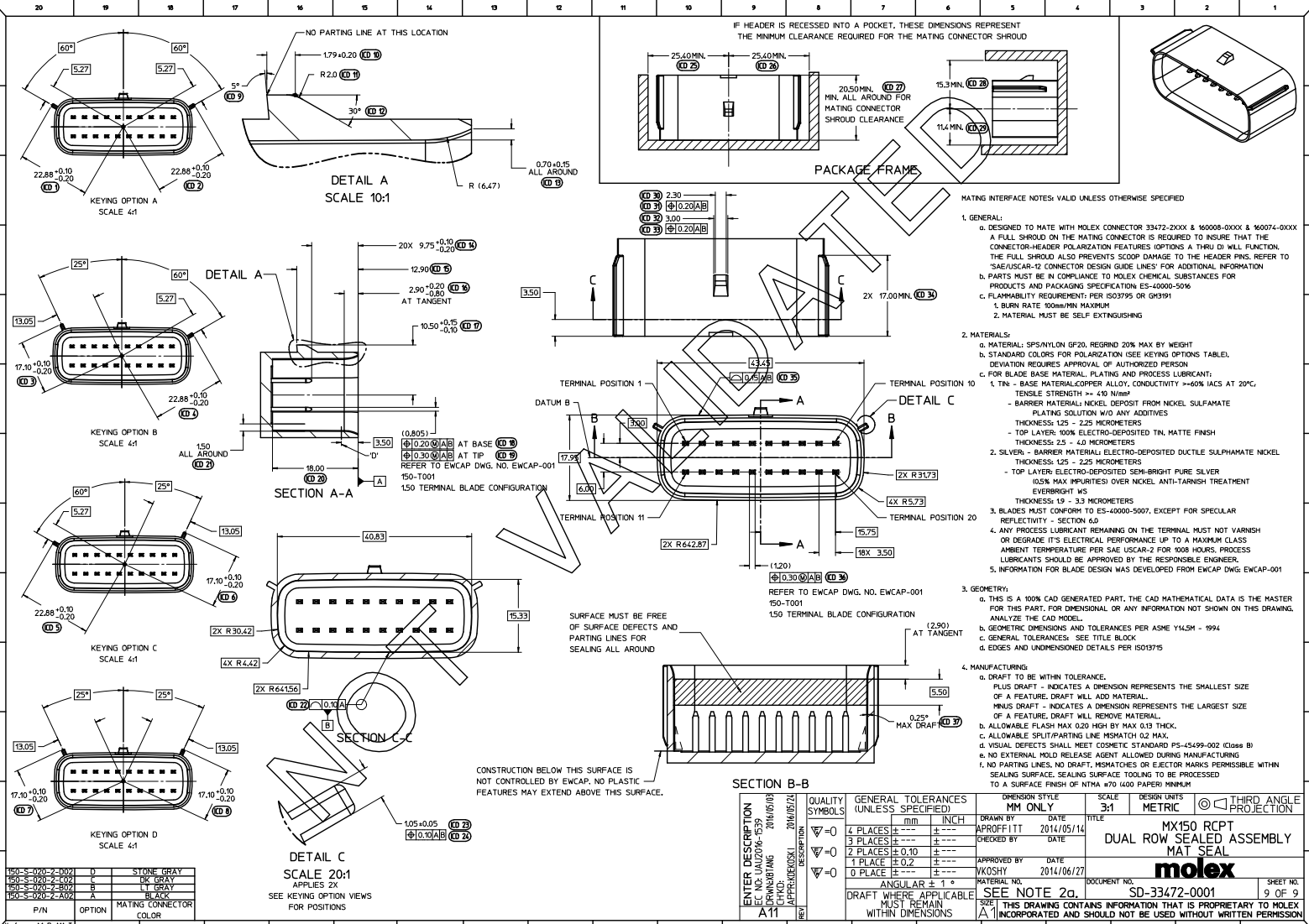
CHARTED DIMENSIONS	
DESCRIPTION	DIMENSIONS
2X2 STANDARD	TBD
2X2 LENGTHENED	TBD
2X3 W/ CLIPSLOT	TBD
2X3 W/O CLIPSLOT	28.50
2X4 W/ CLIPSLOT	TBD
2X4 W/O CLIPSLOT	30.75
2X6 W/ CLIPSLOT	TBD
2X6 W/O CLIPSLOT	35.83
2X8 W/O CLIPSLOT	TBD
2X10 W/O CLIPSLOT	TBD



RECEPTACLE SEALED ASSEMBLY WITH RECEPTACLE BACKSHELL

ENTER DESCRIPTION REC NO. 0334721202-1539 DRAWN BY: JANG CHECKED: APPRENDERSKI DATE: 2014/05/24 DESIGNED BY:	QUALITY SYMBOLS	GENERAL TOLERANCES (UNLESS SPECIFIED)	DIMENSION STYLE	SCALE	DESIGN UNITS	THIRD ANGLE PROJECTION
	∇=0 ∇=0 ∇=0	mm INCH 4 PLACES ±--- ±--- 3 PLACES ±--- ±--- 2 PLACES ±0.10 ±--- 1 PLACE ±0.2 ±--- 0 PLACE ±--- ±---	MM ONLY DRAWN BY: DATE APROFIT 2014/05/14 CHECKED BY: DATE APPROVED BY: DATE WKUSHY 2014/06/27	4:1	METRIC	MX150 RCPT DUAL ROW SEALED ASSEMBLY MAT SEAL molex
	ANGULAR ± 1° DRAFT WHERE APPLICABLE MUST REMAIN WITHIN DIMENSIONS	MATERIAL NO. SEE NOTE 2a THIS DRAWING CONTAINS INFORMATION THAT IS PROPRIETARY TO MOLEX INCORPORATED AND SHOULD NOT BE USED WITHOUT WRITTEN PERMISSION	DOCUMENT NO. SD-33472-0001	SHEET NO. 8 OF 9		
	A11					

19 18 17 16 15 14 13 12 11 10 9 8 7 6 5 4 3 2 1



- MATING INTERFACE NOTES: VALID UNLESS OTHERWISE SPECIFIED
- GENERAL:
 - DESIGNED TO MATE WITH MOLEX CONNECTOR 33472-2XXX & 160008-0XXX & 160074-0XXX
 - FULL SHROUD ON THE MATING CONNECTOR IS REQUIRED TO INSURE THAT THE CONNECTOR/HEADER POLARIZATION FEATURES (OPTIONS A THRU D) WILL FUNCTION. THE FULL SHROUD ALSO PREVENTS SCOP DAMAGE TO THE HEADER PINS. REFER TO SAE/USCAR-12 CONNECTOR DESIGN GUIDE LINES FOR ADDITIONAL INFORMATION
 - PARTS MUST BE IN COMPLIANCE TO MOLEX CHEMICAL SUBSTANCES FOR PRODUCTS AND PACKAGING SPECIFICATION ES-4000-50W
 - FLAMMABILITY REQUIREMENT: PER ISO3795 OR GM391
 - BURN RATE 100mm/MIN MAXIMUM
 - MATERIAL MUST BE SELF EXTINGUISHING
 - MATERIALS:
 - MATERIAL: SP5NYLON GF20, REGROD 20% MAX BY WEIGHT
 - STANDARD COLORS FOR POLARIZATION (SEE KEYING OPTIONS TABLE). DEVIATION REQUIRES APPROVAL OF AUTHORIZED PERSON
 - FOR BLADE BASE MATERIAL, PLATING AND PROCESS LUBRICANT:
 - TIN - BASE MATERIAL/COPPER ALLOY, CONDUCTIVITY >>408 IACS AT 20°C, TENSILE STRENGTH >> 410 N/mm²
 - BARRIER MATERIAL: NICKEL DEPOSIT FROM NICKEL SULFAMATE PLATING SOLUTION W/0 ANY ADDITIVES
 - THICKNESS: 125 - 225 MICROMETERS
 - TOP LAYER: 100% ELECTRO-DEPOSITED TN, MATTE FINISH
 - THICKNESS: 25 - 40 MICROMETERS
 - SILVER - BARRIER MATERIAL: ELECTRO-DEPOSITED DUCTILE SULPHAMATE NICKEL
 - THICKNESS: 125 - 225 MICROMETERS
 - TOP LAYER: ELECTRO-DEPOSITED SEMI-BRIGHT PURE SILVER
 - 100% MAX IMPURITIES OVER NICKEL ANTI-TARNISH TREATMENT EVERBRIGHT WS
 - THICKNESS: 19 - 33 MICROMETERS
 - BLADES MUST CONFORM TO ES-4000-5007, EXCEPT FOR SPECULAR REFLECTIVITY - SECTION 6.0
 - ANY PROCESS LUBRICANT REMAINING ON THE TERMINAL MUST NOT VARNISH OR DEGRADE ITS ELECTRICAL PERFORMANCE UP TO A MAXIMUM CLASS AMBIENT TEMPERATURE PER SAE USCAR-2 FOR 1008 HOURS. PROCESS LUBRICANTS SHOULD BE APPROVED BY THE RESPONSIBLE ENGINEER.
 - INFORMATION FOR BLADE DESIGN WAS DEVELOPED FROM ENCAP DWG: ENCAP-001
 - GEOMETRY:
 - THIS IS A 100% CAD GENERATED PART. THE CAD MATHEMATICAL DATA IS THE MASTER FOR THIS PART. FOR DIMENSIONAL OR ANY INFORMATION NOT SHOWN ON THIS DRAWING, ANALYZE THE CAD MODEL.
 - GEOMETRIC DIMENSIONS AND TOLERANCES PER ASME Y14.5H - 1994
 - GENERAL TOLERANCES: SEE TITLE BLOCK
 - EDGES AND UNDIMENSIONED DETAILS PER ISO1975
 - MANUFACTURING:
 - DRAFT TO BE WITHIN TOLERANCE. PLUS DRAFT - INDICATES A DIMENSION REPRESENTS THE SMALLEST SIZE OF A FEATURE. DRAFT WILL ADD MATERIAL. MINUS DRAFT - INDICATES A DIMENSION REPRESENTS THE LARGEST SIZE OF A FEATURE. DRAFT WILL REMOVE MATERIAL.
 - ALLOWABLE FLASH MAX 0.20 HIGH BY MAX 0.13 THICK.
 - ALLOWABLE SPLIT/PARTING LINE MISMATCH 0.2 MAX.
 - VISUAL DEFECTS SHALL MEET COSMETIC STANDARD PS-4599-002 (Class B)
 - NO EXTERNAL MOLD RELEASE AGENT ALLOWED DURING MANUFACTURING
 - NO PARTING LINES, NO DRAFT, MISMATCHES OR EJECTOR MARKS PERMISSIBLE WITHIN SEALING SURFACE. SEALING SURFACE TOOLING TO BE PROCESSED TO A SURFACE FINISH OF N7/A 470 400 PAPER MINIMUM

QUALITY SYMBOLS	GENERAL TOLERANCES (UNLESS SPECIFIED)		DIMENSION STYLE		SCALE	DESIGN UNITS	THIRD ANGLE PROJECTION
	mm	INCH	MM ONLY	DATE			
▽=0	4 PLACES ±---	±---	DRAWN BY	2014/05/14	3:1	METRIC	MX150 RCPT DUAL ROW SEALED ASSEMBLY MAT SEAL
▽=0	3 PLACES ±---	±---	CHECKED BY	DATE			
▽=0	2 PLACES ±0.10	±---	APPROVED BY	DATE	molex		SD-33472-0001
▽=0	1 PLACE ±---	±---	DATE	2014/06/27	DOCUMENT NO.		
▽=0	0 PLACE ±---	±---	DATE		SHEET NO.		
ANGULAR ± 1°			SEE NOTE 2a		9 OF 9		
DRAFT WHERE APPLICABLE MUST REMAIN WITHIN DIMENSIONS			INCORPORATED AND SHOULD NOT BE USED WITHOUT WRITTEN PERMISSION				

P/N	OPTION	MATING CONNECTOR COLOR
150-S-020-2-002	D	STONE GRAY
150-S-020-2-004	C	LG GRAY
150-S-020-2-001	B	L GRAY
150-S-020-2-003	A	BLACK

150-Frame_AT_P_AM.T Rev. 5 2012/07/11