

Excellent Integrated System Limited

Stocking Distributor

Click to view price, real time Inventory, Delivery & Lifecycle Information:

[Cinch Connectivity Solutions](#)
[27-8110](#)

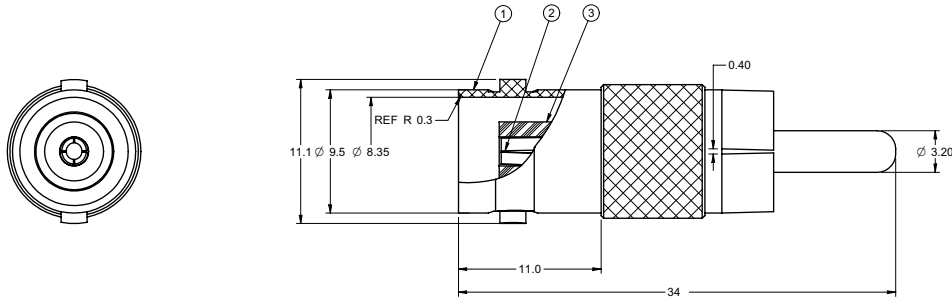
For any questions, you can email us directly:

sales@integrated-circuit.com

PART NUMBER	ITEM ① BODY	ITEM ② CONTACT	ITEM ③ INSULATOR
27-8110	ZINC NICKEL PLATED	BERYLLIUM Ni/Au PLATED	DELFIN

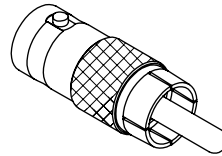
受控 CONTROLLED DOCUMENT			
编号 P/N	27-8110	版本 Rev	01
日期 Rel'd Date	May8,09		

DRAWING NO.	27-8110
REVISIONS	
01	OFFICIAL RELEASE
04-13-09	01



NOTES:

1. BNC END TECHNICAL DETAIL: REFER TO EMERSON DOCUMENT P/N 27-0000



THIS DRAWING TO BE INTERPRETED PER ANSI Y 14.5M - 1994

COMPANY CONFIDENTIAL

TOLERANCE UNLESS OTHERWISE SPECIFIED	DRAWN BY GARY.ZHG	DATE 04-13-09	<p>Connectivity Solutions</p>
DECIMALS	CHECKED BY BETTY.YU	DATE 04-13-09	
X	APPROVED BY THOMAS	DATE 04-13-09	
X.X			
X.XX			
ANGLES	U/M	mm	
THIS DRAWING WAS PRODUCED BY COMPUTER. DO NOT SCALE DRAWING OR UPDATE MANUALLY.			SHEET 1 OF 1 DRAWING NO. 27-8110 SIZE C