

Excellent Integrated System Limited

Stocking Distributor

Click to view price, real time Inventory, Delivery & Lifecycle Information:

[Cinch Connectivity Solutions](#)

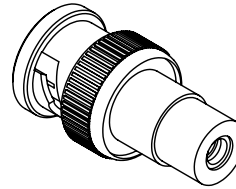
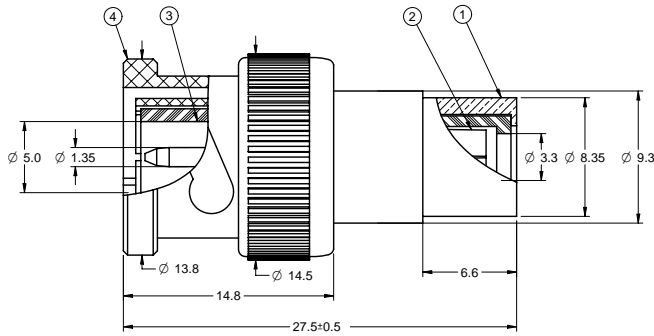
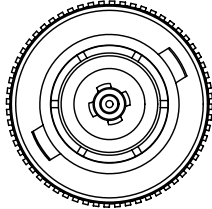
[CP-AD-515](#)

For any questions, you can email us directly:

sales@integrated-circuit.com

PART NUMBER	ITEM ① BODY	ITEM ② CONTACT	ITEM ③ INSULATOR	ITEM ④ NUT
25-7510	BRASS NICKEL PLATED	BRASS GOLD PLATED	DELTRIN	ZINC NICKEL PLATED

DRAWING NO. 25-7510	
REVISIONS	
A	RELEASE FOR QUOTATION 03-28-06
B	ADD NOTE 4&5 11-15-06



NOTES:

- ELECTRICAL SPECIFICATIONS**
 IMPEDANCE: 50 OHMS NOMINAL
 FREQUENCY RANGE: 0-4 GHz
 WORKING VOLTAGE: 500 Vrms MAX AT SEA LEVEL
 DIELECTRIC WITHSTANDING VOLTAGE: 1500 vrms AT SEA LEVEL
 CORONA LEVEL: 375 VOLTS MINIMUM AT 70,000 FEET
 CONTACT RESISTANCE: OUTER-0.2 MILLIOHMS MAXIMUM
 CENTER-2.1 MILLIOHMS MAXIMUM
 INSULATION RESISTANCE: 5000 MEGOHMS MINIMUM
- MECHANICAL SPECIFICATIONS**
 DURABILITY: 500 CYCLES MIN
- ENVIRONMENTAL SPECIFICATIONS**
 RECOMMENDED TEMPERATURE RANGE: -55 °C TO +85 °C
 MOISTURE RESISTANCE: MIL-STD-202
- PRODUCT SHOULD BE RoHS COMPLIANCE
- PACKAGING REQUIREMENT FOLLOWS ENGINEERING DOCUMENT P/N 836-4020001XX

THIS DRAWING TO BE INTERPRETED PER ANSI Y 14.5M - 1994

COMPANY CONFIDENTIAL

TOLERANCE UNLESS OTHERWISE SPECIFIED	DRAWN BY BETTY.YU	DATE 11-14-06	 Connectivity Solutions
DECIMALS	CHECKED BY IVON.W	DATE 11-14-06	
X	APPROVED BY THOMAS	DATE 11-14-06	
X.X			
X.XX			TITLE ADAPTER RCA JACK TO BNC PLUG
ANGLES			SHEET 1 OF 1
THIS DRAWING WAS PRODUCED BY COMPUTER, DO NOT SCALE DRAWING OR UPDATE MANUALLY.			DRAWING NO. 25-7510
			SIZE C