

Excellent Integrated System Limited

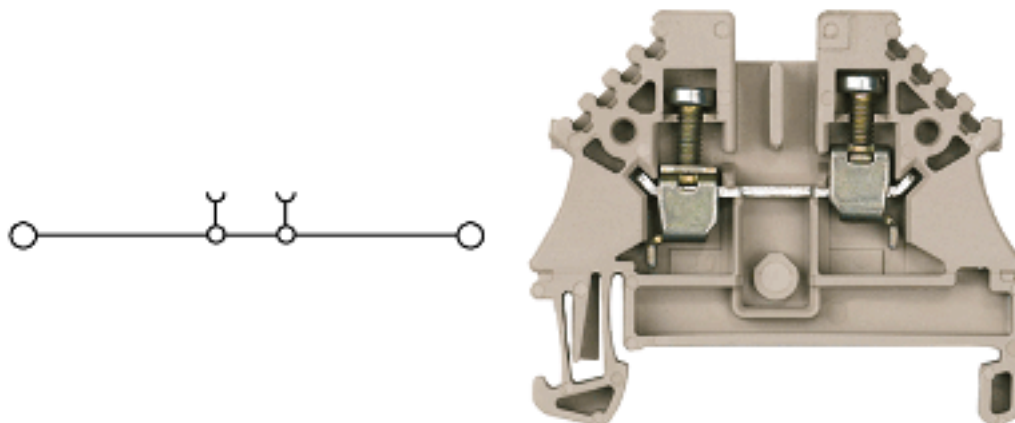
Stocking Distributor

Click to view price, real time Inventory, Delivery & Lifecycle Information:

[Weidmüller](#)
[1040800000](#)

For any questions, you can email us directly:

sales@integrated-circuit.com


General ordering data

Order No.	1040800000
Part designation	WDU 2.5N ZQV
Version	Feed-through terminal, 2.5 mm ² , Screw connection, Wemid, dark beige, TS 35
EAN	4008190964276
Qty.	100 pc(s).

Product notes

Note, ordering data	Rated voltage 400 V when using the cross-connection ZQV.
Note, technical data	2.5 mm ² conductor with wire end ferrule plus plastic collar only with collar optimised for diameter (order No. 1333100000, 500 pcs)
Product description	Their small size compared to the respective rated cross-section makes the modular terminals with the compact design very popular.

PT OKIECEx/ATEX rating data

EU-type examination certificate	KEMA98ATEX1683U
ATEX voltage	440 V
ATEX current	21 A
ATEX conductor cross-section	2.5 mm ²

2 clampable conductors (H05V/H07V) with equal cross-section (rated connection)

Solid, min.	0.5 mm ²
Solid, max.	1.5 mm ²
Flexible, min.	0.5 mm ²
Flexible, max.	1.5 mm ²
Flexible with ferrule, min. (DIN 46228 pt 1)	0.5 mm ²
Flexible with ferrule, max. (DIN 46228 pt 1)	1.5 mm ²

Additional technical data

Colour of insulating material	dark beige
-------------------------------	------------

Additional technical data

Connection direction	on side
End plate required	Yes
Explosion-tested version "Ex e"	No
Installation advice	TS 35
Insulating material	Wemid
Levels cross-connected internally	No
No. of identical terminals	1
No. of levels	1
No. of terminal strips per level	2
Open sides	right
Operating temperature range	- 50 °C, + 120 °C
Product family	W-Series
Type of connection	Screwed
Type of mounting	Snap-on
UL 94 flammability rating of insulation material	V-0
Version	Feed-through terminal

CSA rating data

Voltage (CSA)	300 V
CSA current	20 A
Min. cross-section (CSA)	AWG 26
Max. cross-section (CSA)	AWG 12

Conductors for clamping (rated connection)

Clamping range, min.	0.05 mm ²
Clamping range, max.	4 mm ²
Type of connection	Screw connection
2nd type of connection	screwed
Connection direction	on side
No. of connections	2
Stripping length	10 mm
Clamping screw	M 2.5
Blade size	0.6 x 3.5 mm
Tightening torque range	0.4...0.6 Nm
Torque level with DMS electric screwdriver	1
Gauge to IEC 60947-1	A3
Solid, min.	0.5 mm ²
Solid, max.	4 mm ²
Stranded, min.	1.5 mm ²
Stranded, max.	4 mm ²
Flexible, min.	0.5 mm ²
Flexible, max.	4 mm ²
Flexible with ferrule, min. (DIN 46228/1)	0.5 mm ²
Flexible with ferrule, max. (DIN 46228/1)	2.5 mm ²
Flexible, min., ferrule with plastic collar (DIN 46228 pt 4)	0.25 mm ²
Flexible, max., ferrule with plastic collar (DIN 46228 pt 4)	2.5 mm ²
Twin wire-end ferrule, min.	0.5 mm ²
Twin wire end ferrule, max.	1.5 mm ²
AWG conductor size, min.	AWG 30

Conductors for clamping (rated connection)

AWG conductor size, max.	AWG 12
AWG conductor size, min.	0.13 mm ²
AWG conductor size, max.	3.31 mm ²

Dimensions

Width	5.1 mm
Height of lowest version	37.5 mm
Length	44 mm
Weight	5.7 g
TS 35 offset	24.5 mm

Disconnect terminals

Torque level with DMS electric screwdriver	1
--	---

Rating data

Rated cross-section	2.5 mm ²
Rated voltage	500 V
Rated impulse voltage	6 kV
Rated current	24 A
Standards	IEC 60947-7-1
Current with max. conductor	32 A
Pollution severity	3

UL rating data

Voltage (UL)	300 V
Current (UL)	20 A
Min. cross-section (UL)	AWG 30
Max. cross-section (UL)	AWG 12

Approvals

Approvals institutes



Downloads

STEP	1040800000_26943_WDU_2.5N_ZQV_STP.stp
------	---------------------------------------

Classifications

ETIM 2.0	EC000897
ETIM 3.0	EC000897
eClass 4.1	27-14-11-20
eClass 5.0	27-14-11-20
eClass 5.1	27-14-11-20

Similar products

Order No.	Part designation	Version
1023700000	WDU 2.5N	Feed-through terminal, 2.5 mm ² , Screw connection, Wemid, dark beige, TS 35
1023780000	WDU 2.5N BL	Feed-through terminal, 2.5 mm ² , Screw connection, Wemid, blue, TS 35
1023720000	WDU 2.5N GN WAP GE	Feed-through terminal, 2.5 mm ² , Screw connection, Wemid, green, TS 35
1023760000	WDU 2.5N OR	Feed-through terminal, 2.5 mm ² , Screw connection, Polyamide, Orange, TS 35
1040880000	WDU 2.5N ZQV BL	Feed-through terminal, 2.5 mm ² , Screw connection, Wemid, blue, TS 35
1730940000	WDU 2.5N/600UL	Feed-through terminal, 2.5 mm ² , Screw connection, Wemid, dark beige, TS 35