

Excellent Integrated System Limited

Stocking Distributor

Click to view price, real time Inventory, Delivery & Lifecycle Information:

[C&K Components](#)

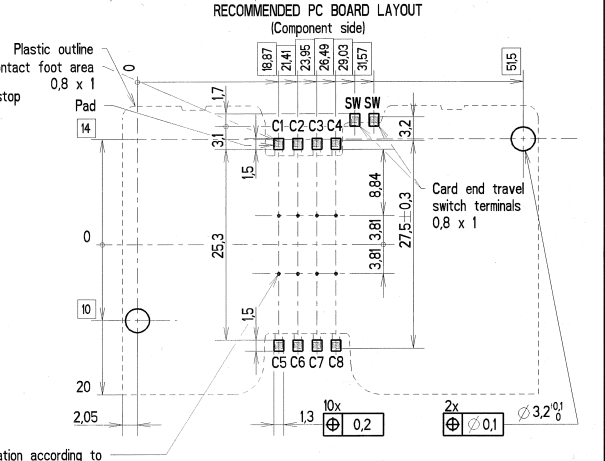
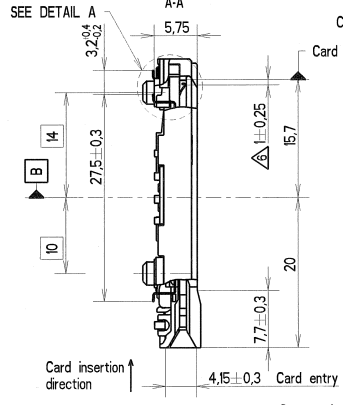
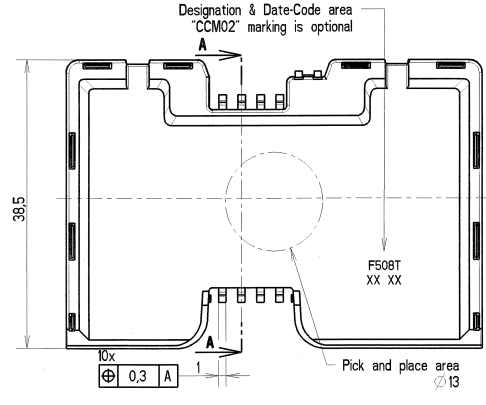
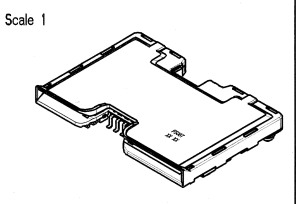
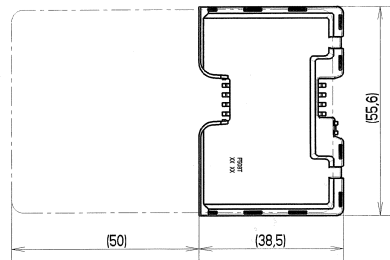
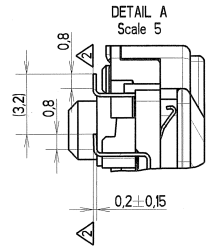
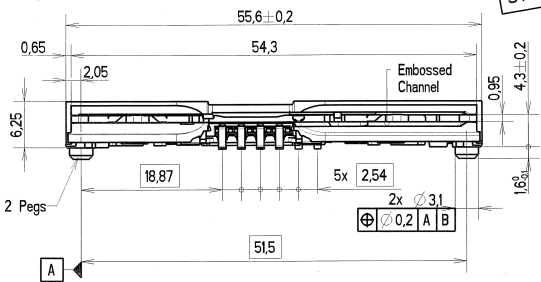
[CCM02F508LFTT30](#)

For any questions, you can email us directly:

sales@integrated-circuit.com

REV.	N	DCR	NATURE DE LA MODIFICATION	DATE	VISA
------	---	-----	---------------------------	------	------

SYSTEM CONFIDENTIAL



- Notes :
- 1 - Termination to PCB : SMT reflow soldering
Temperature/time profile according to :
C&K PS-LF-001 specification.
Since there are no boardlocks, the connector must be held in place on the PCB across the top face of the cover.
 - 2 - Level of each contact tail compared to the nearest plastic stand-off.
Coplanarity of metal soldering surfaces : 0,15 mm.
 - 3 - Recommendation for solder paste thickness > 0,2 mm.
 - 4 - 2,5 microns min tin plating on contact terminal areas and 0,1 microns min gold plating on switch terminal areas.
 - 5 - Contacts forces :
- max 0,5 N per contact with max. card thickness.
- min 0,2 N per contact with min. card thickness.
 - 6 - Card end travel switch NO activates when the sliding card is 1 mm from the card stop.
 - 7 - For packaging on tray, see document : cu 030278Y0041.
 - 8 - In case of customer accessories integration requesting an interface with CCM, please ask C&K for a 3D model.

MATIERE	TOL LINEAIRE	TOL ANGULAIRE	TRAITEMENT	PROTECTION
SAUF INDIQUE :	± 01	± 2	ETAT DE SURFACE	DIMENSIONS CRITIQUES
COTES DONNEES AVANT PROTECTION			Ra	DIMENSIONS SPC
BAVURES ET ARETES VIVES SUPPRIMEES			PROVE	LANGAGE
DESSINE D.FERRATON	DATE 11-02-2009	ANALYSE Y	TAB FAM Y	E
VERIFIE G.PINON	DATE 11-02-2009	REPLACE		
APPROUVE L.KUBAT	DATE 11-02-2009	DESIGNATION		
G&K C&K Components	PROJECTION 1ER DEDRE ECHELLE 2	CCM02-F508LFT SLIDING VERSION 2 pegs		
BP 359 - 39105 Dole - FRANCE -	TAILLE FEUILLE NUMERO A3 1 / 1 CU			
				REV 1122MIYF508

LE PLAN EST LA PROPRIETE DE C&K. COMPOSANTS SAS ET LE PEUT ETRE REPRODUIT OU COMMUNIQUE SANS SON AUTORISATION.

A B C D E F