

Excellent Integrated System Limited

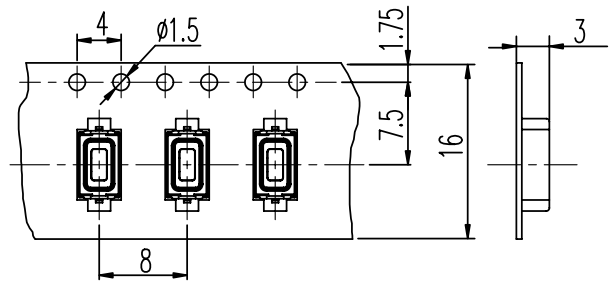
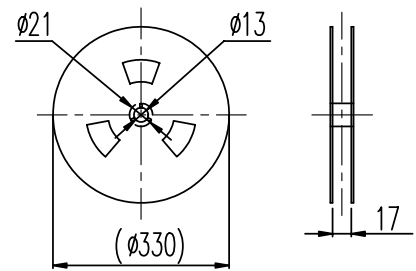
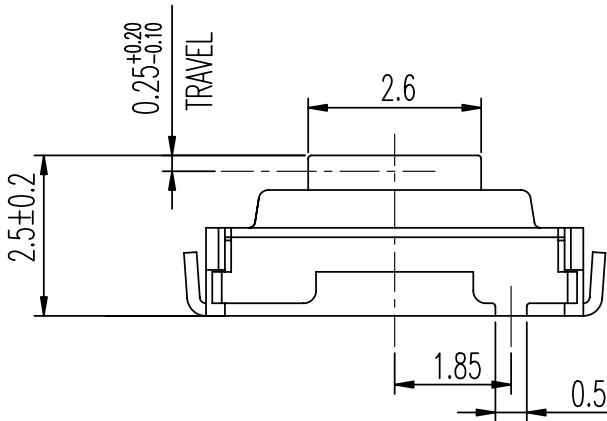
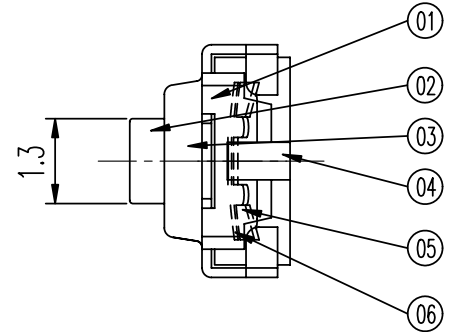
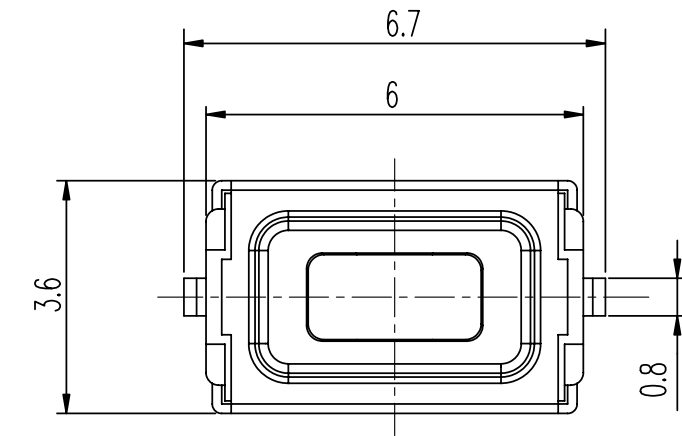
Stocking Distributor

Click to view price, real time Inventory, Delivery & Lifecycle Information:

[C&K Components](#)
[RS285G05A2URT](#)

For any questions, you can email us directly:

sales@integrated-circuit.com



Total 3,000 pcs for one Reel.

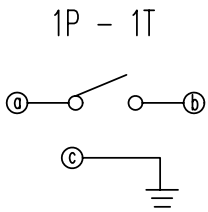
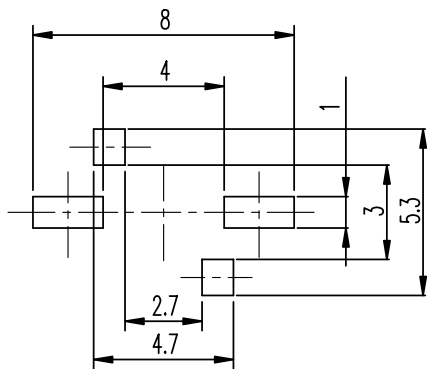


示意图 SCHEMATIC



安装孔 PIERCING PLAN

规格 Specifications

额定负荷 Ratings	DC 12 V 50 mA Max.
	DC 1 V 10 μA Min.
初期接触电阻 Initial Contact Resistance	100 mΩ Max.
绝缘电阻 Insulation Resistance	DC 100 V 60 Sec. 100 MΩ Min.
抗电强度 Dielectric Voltage	AC 250 V (50~60HZ) 60 Sec.
操作力 Operating Force	160 ⁺⁵⁰ / ₋₃₀ gf
负荷寿命 Operating Life With Load	100,000 次 Cycles

序号 PART NO.	零件 PART	材料 MATERIAL	数量 QTY	备注 REMARKS
06	防尘膜 DUST COVER	PI TAPE	1	NATURAL
05	弹片 SPRING PLATE	SUS	1	Ag CLAD
04	端子 TERMINAL	C2680R	2	Ag PLATED
03	盖片 COVER	SUS	1	Ag PLATED
02	胶柄 KNOB	PA	1	BLACK C
01	胶壳 HOUSING	PA	1	BLACK C

标号 REV	内容 DESCRIPTION	签名 SIGN.	日期 DATE
	DWG NO. ITEM3079		

TOLERANCES UNLESS OTHERWISE SPEC.		TITLE	TACT SWITCH		ITEM NO	RS-285G05A2-U RT		
UNDER 1	± 0.10	DRAWN	廖铁军	2010-10-28	VERSION	A01	PAGE 1	OF 1
1 - 10	± 0.30	REVIEWED	方勇	2010-10-28	SCALE	—	UNIT	mm
OVER 10	± 0.50	APPROVED	马建和	2010-10-28	PROJECTION			