

Excellent Integrated System Limited

Stocking Distributor

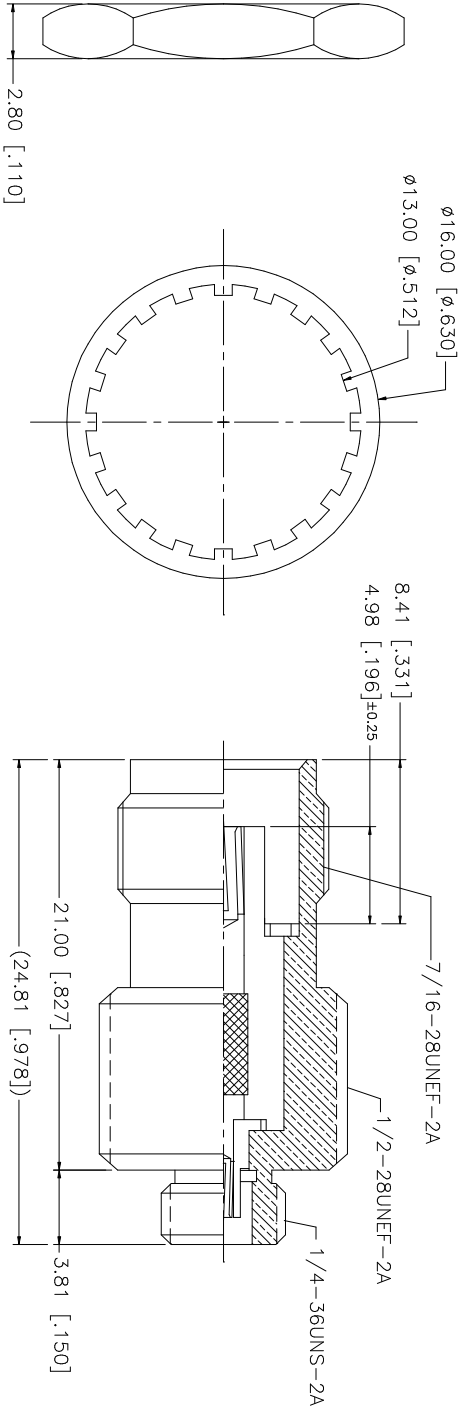
Click to view price, real time Inventory, Delivery & Lifecycle Information:

[Amphenol RF](#)
[242190](#)

For any questions, you can email us directly:

sales@integrated-circuit.com

REV.	DATE	DESCRIPTION
A	12/05/02	ADD 1/4-36UNS-2A MATING FACE
B	01/29/03	MODIFY OVERALL BODY DIMENSIONS
C	03/18/04	ADD LOCK RING DIMENSION



NOTES:
 1. MAX. PANEL THICKNESS = 6.5mm

QTY	FINISH	MATERIAL	DESCRIPTION
1	GOLD	BRASS	CONTACT PIN
1	GOLD	BER. COPPER	CONTACT PIN
1	NATURAL	TEFLON	INSULATOR
1	NICKEL	BRASS	LOCK WASHER
1	NICKEL	BRASS	HEX NUT
1	NICKEL	BRASS	LOCK RING

APPROVALS	DATE
DRAWN G.R.S.	03/18/04
CHECKED	
ISSUED	
SHEET 1 OF 1	

UNLESS OTHERWISE SPECIFIED DIMENSIONS ARE IN MILLIMETERS. DIMENSIONS IN [] ARE IN INCHES AND FOR CUSTOMER REFERENCE ONLY.
UNLESS OTHERWISE SPECIFIED TOLERANCES FOR MILLIMETERS ARE: 0.5 - 8mm ± 0.20mm 8 - 30mm ± 0.40mm 30 - 120mm ± 0.50mm
UNLESS OTHERWISE SPECIFIED TOLERANCES FOR INCHES ARE: .020 - .315 = ± 0.007" .315 - 1.180 = ± 0.015" 1.180 - 4.724 = ± 0.020"

DO NOT SCALE DRAWING
CAD FILE C:/242/242190.DWG

DWG. NO.	REV.	SIZE	SCALE
242190.DWG	C	A	N/A

PART NO.	PART DESCRIPTION
242190	TNC BULKHEAD JACK TO MCX JACK ADAPTER

Amphenol Connex