

## Excellent Integrated System Limited

Stocking Distributor

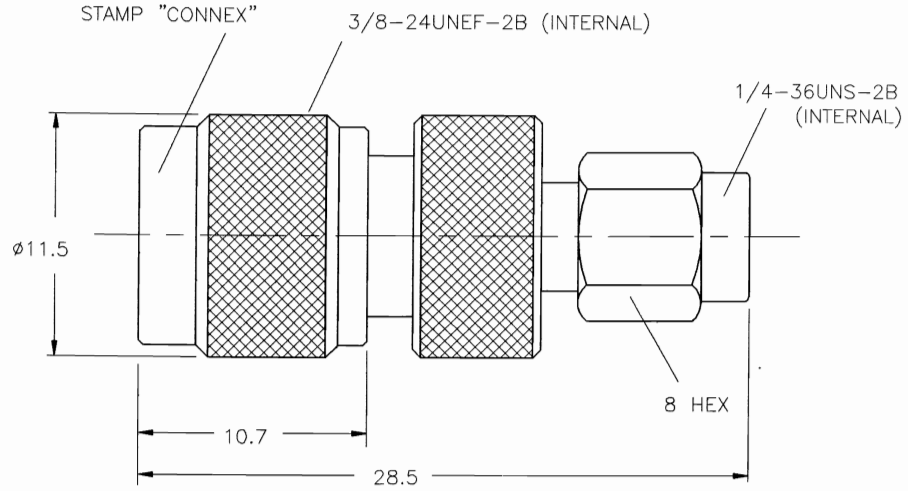
Click to view price, real time Inventory, Delivery & Lifecycle Information:


[Amphenol RF](#)  
[242118](#)

For any questions, you can email us directly:

[sales@integrated-circuit.com](mailto:sales@integrated-circuit.com)

REV.	DATE	DESCRIPTION
NC	1/8/97	INITIAL RELEASE



DESCRIPTION	MATERIAL	FINISH	DIMENSIONS ARE IN MILLIMETERS UNLESS OTHERWISE SPECIFIED TOLERANCES ARE:	APPROVALS	DATE	 <b>Connex</b> Connector Corporation				
1	BODY	BRASS	NICKEL	0.5-6 = ± 0.2	DRAWN G.R.S.					1/8/97
2	CONTACT PIN	BRASS	GOLD	6-30 = ± 0.4	CHECKED		SIZE A	FSCM NO. 99001	DWG. NO. 242118.DWG	REV. NC
3	INSULATOR	TEFLON	NATURAL	30-120 = ± 0.6	ISSUED		SCALE 4:1	PART NO. 242118	SHEET 1 OF 1	
4				120-315 = ± 1						
5				315-1000 = ± 1.6						
6				1000-2000 = ± 2.4						
7										
8			DO NOT SCALE DRAWING							