

Excellent Integrated System Limited

Stocking Distributor

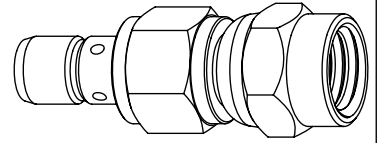
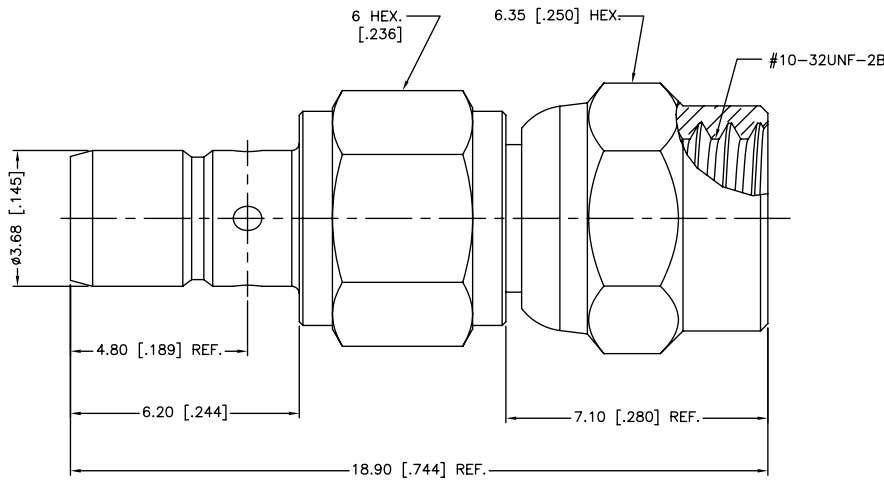
Click to view price, real time Inventory, Delivery & Lifecycle Information:

[Amphenol RF](#)
[242228](#)

For any questions, you can email us directly:

sales@integrated-circuit.com

REV.	DATE	ECR NO.	DESCRIPTION
NC	06/09/04	XXXXXX	INITIAL RELEASE
A	01/17/07	XXXXXX	UPDATE DRAWING FORMAT
B	11/27/13	2661	CORRECT DESCRIPTION, ADD ELECTRICAL/MECHANICAL NOTES, UPDATE DRAWING FORMAT



1. IMPEDANCE: 50 OHM
2. FREQUENCY RANGE: 0-4 GHZ
3. DIELECTRIC WITHSTANDING VOLTAGE: 1000 VRMS, MIN.
4. DURABILITY: 500 CYCLES MIN.
5. TEMPERATURE RANGE: -65°C TO +165°C

UNLESS OTHERWISE SPECIFIED DIMENSIONS ARE IN MILLIMETERS; DIMENSIONS IN [] ARE IN INCHES AND FOR CUSTOMER REFERENCE ONLY.
 UNLESS OTHERWISE SPECIFIED TOLERANCES FOR MILLIMETERS ARE:
 <math>< 0.5 \pm 0.05\text{mm}</math>
 0.5 - 6mm $\pm 0.10\text{mm}</math>
 6 - 30mm $\pm 0.20\text{mm}</math>
 30 - 120mm $\pm 0.30\text{mm}</math>
 ANGLES $\pm 1^\circ</math>
 UNLESS OTHERWISE SPECIFIED TOLERANCES FOR INCHES ARE:
 <math>< .020 \pm 0.002''</math>
 .020 - .236 = $\pm 0.004''</math>
 .236 - 1.180 = $\pm 0.007''</math>
 1.180 - 4.724 = $\pm 0.012''</math>
 ANGLES $\pm 1^\circ</math>
 DO NOT SCALE DRAWING$$$$$$$$

APPROVALS	DATE
DRAWN M.ZHANG	11/27/13
CHECKED	
ISSUED	
SHEET 1 OF 1	
CAD FILE C:/CONNEX/242228.DWG	

Amphenol Connex

PART DESCRIPTION
SMC PLUG TO SMB JACK ADAPTER

PART NO. **242228**

DWG. NO. 242228.DWG

REV. B	SIZE A	SCALE NA
--------	--------	----------

QTY	FINISH	MATERIAL	DESCRIPTION
1	GOLD	BRASS	BODY
1	NATURAL	PTFE	INSULATOR
1	GOLD	BER. COPPER	CONTACT PIN
1	GOLD	BRASS	SHELL