

## Excellent Integrated System Limited

Stocking Distributor

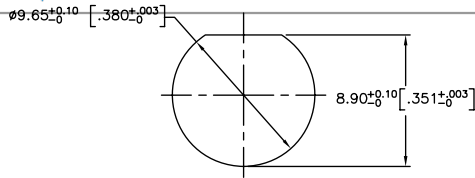
Click to view price, real time Inventory, Delivery & Lifecycle Information:

[Amphenol RF](#)  
[112769](#)

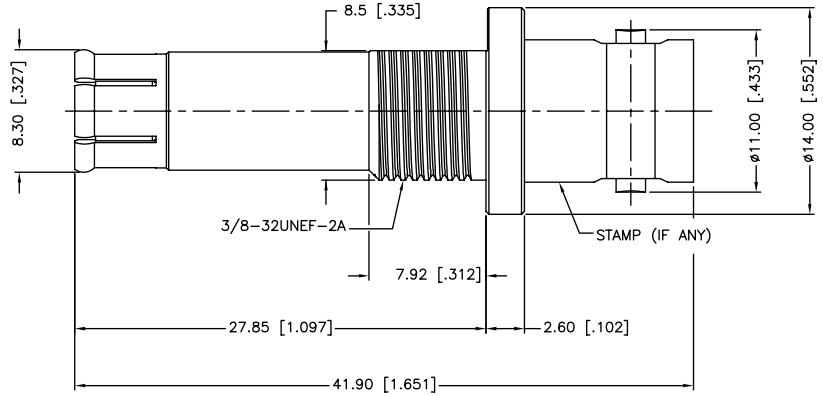
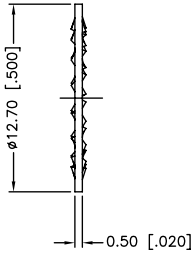
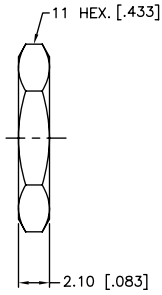
For any questions, you can email us directly:

[sales@integrated-circuit.com](mailto:sales@integrated-circuit.com)

REV.	DATE	ECR NO.	DESCRIPTION
NC	09/24/09	XXXXXX	INITIAL RELEASE



RECOMMENDED MOUNTING HOLE



1. FREQUENCY RANGE: DC 0-3 GHZ
2. VSWR: 1.15, MAX.
3. MAX. PANEL THICKNESS=4.5 mm

UNLESS OTHERWISE SPECIFIED DIMENSIONS ARE IN MILLIMETERS. DIMENSIONS IN [ ] ARE IN INCHES AND FOR CUSTOMER REFERENCE ONLY.				APPROVALS	DATE	<h2 style="color: blue; margin: 0;">Amphenol Connex</h2>			
7	HEX NUT	BRASS	NICKEL	1	DRAWN		M.ZHANG	09/24/09	
6	LOCK WASHER	BRASS	NICKEL	1	CHECKED				
5	RETAINER RING	BER. COPPER	NICKEL	1	ISSUED				
4	INSULATOR	PTFE	NATURAL	1	SHEET	1 OF 1			
3	CONTACT PIN	BER. COPPER	GOLD	1	PART DESCRIPTION <b>BNC BULKHEAD JACK TO PUSH-ON PLUG ADAPTOR</b>				
2	LOCK RING	BRASS	NICKEL	1					
1	BODY	BRASS	NICKEL	1					
UNLESS OTHERWISE SPECIFIED TOLERANCES FOR MILLIMETERS ARE: 0.5 - 8mm ± 0.20mm 8 - 30mm ± 0.40mm 30 - 120mm ± 0.50mm  UNLESS OTHERWISE SPECIFIED TOLERANCES FOR INCHES ARE: .020 - .315 = ± 0.007" .315 - 1.180 = ± 0.015" 1.180 - 4.724 = ± 0.020"				DO NOT SCALE DRAWING		PART NO.	112769		
				CAD FILE		DWG. NO.	112769.DWG		
DESCRIPTION				MATERIAL	FINISH	QTY	REV. NC	SIZE A	SCALE NA