

Excellent Integrated System Limited

Stocking Distributor

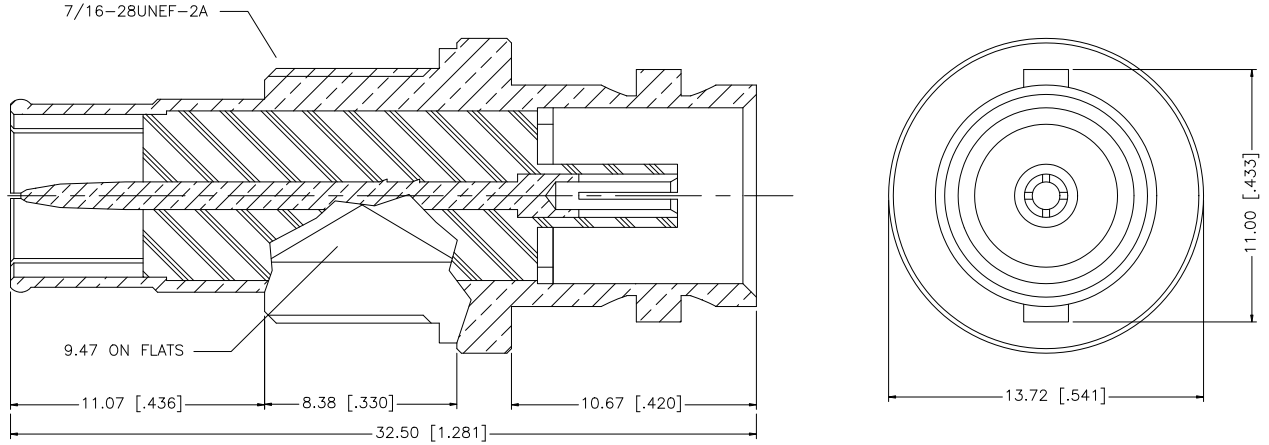
Click to view price, real time Inventory, Delivery & Lifecycle Information:

[Amphenol RF](#)
[242230-75](#)

For any questions, you can email us directly:

sales@integrated-circuit.com

REV.	DATE	DESCRIPTION
NC	06/25/07	INITIAL RELEASE



				UNLESS OTHERWISE SPECIFIED DIMENSIONS ARE IN MILLIMETERS. DIMENSIONS IN [] ARE IN INCHES AND FOR CUSTOMER REFERENCE ONLY.	APPROVALS	DATE	Amphenol Connex							
8					DRAWN	G.R.S.		06/25/07						
7					CHECKED									
6					ISSUED									
5					SHEET	1 OF 1								
4					PART DESCRIPTION									
3	CONTACT PIN	PHOS. BRONZE	GOLD	1	BNC MALE PUSH ON TO BNC JACK ADAPTER									
2	INSULATOR	TEFLON	NATURAL	1	PART NO.									
1	BODY	BRASS	NICKEL	1	242230-75									
	DESCRIPTION	MATERIAL	FINISH	QTY	CAD FILE	C:/242/242230-75.DWG	DWG. NO.	242230-75.DWG	REV.	NC	SIZE	A	SCALE	NA

UNLESS OTHERWISE SPECIFIED DIMENSIONS ARE IN MILLIMETERS. DIMENSIONS IN [] ARE IN INCHES AND FOR CUSTOMER REFERENCE ONLY.

UNLESS OTHERWISE SPECIFIED TOLERANCES FOR MILLIMETERS ARE:
 0.5 - 8mm ± 0.20mm
 8 - 30mm ± 0.40mm
 30 - 120mm ± 0.50mm

UNLESS OTHERWISE SPECIFIED TOLERANCES FOR INCHES ARE:
 .020 - .315 = ± 0.007"
 .315 - 1.180 = ± 0.015"
 1.180 - 4.724 = ± 0.020"

DO NOT SCALE DRAWING