

Excellent Integrated System Limited

Stocking Distributor

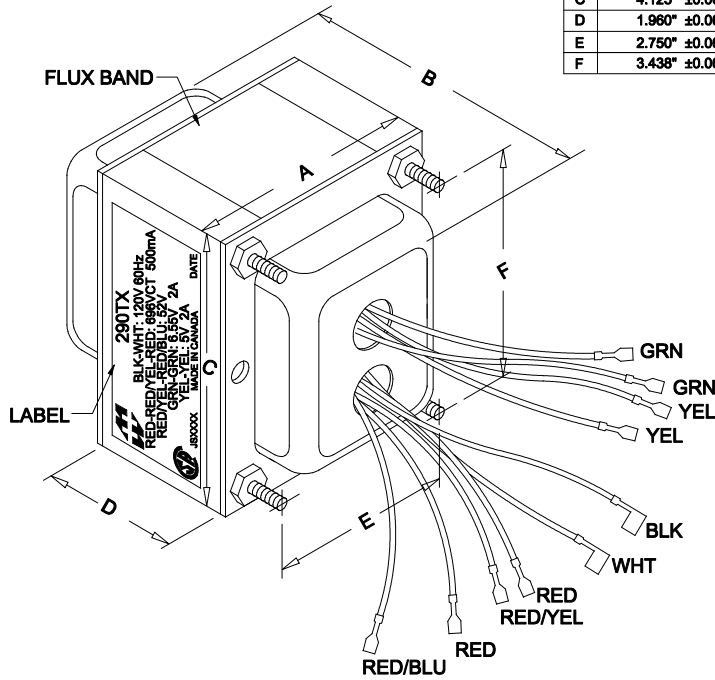
Click to view price, real time Inventory, Delivery & Lifecycle Information:

[Hammond Manufacturing](#)
[290TX](#)

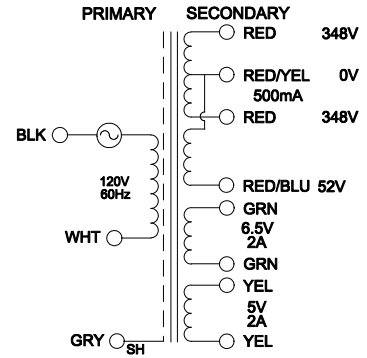
For any questions, you can email us directly:

sales@integrated-circuit.com

DIMENSIONS:	
A	3.438" ±0.063
B	4.300" ±0.125
C	4.125" ±0.063
D	1.960" ±0.063
E	2.750" ±0.063
F	3.438" ±0.063



NOTE: ALL LEADS 12" OUT MIN.



ELECTRICAL DATA:		
TESTS	CONDITIONS	ACCEPTANCE CRITERIA
Iex	@ 120V, 60Hz, BLK - WHT	237mA Max.
Sec. N.L.V	@ 120V, 60Hz, BLK - WHT	
	RED - RED =	747.9V ±2%
	RED - RED/YEL = RED/YEL - RED =	373.9V ±2%
	RED/YEL - RED/BLU =	57.85V ±2%
	YEL - YEL =	5.357V ±2%
DCR	@ 20°C, BLK - WHT =	1.180 Ω ±20%
	@ 20°C, RED - RED =	46.16 Ω ±20%
	@ 20°C, RED/YEL - RED/BLU =	6.140 Ω ±20%
	@ 20°C, YEL - YEL =	0.070 Ω ±20%
HIPOT	@ 20°C, GRN - GRN =	0.080 Ω ±20%
	PRIMARY - SECONDARY	2500V, 60Hz, 1 SEC

REV.#	REVISION	DATE
0	RELEASED.	12/01/10

HAMMOND MANUFACTURING ELECTRONIC DIVISION
52 RANKIN PLACE, WATERLOO, ONTARIO, N2J 3Z5
PH # (519) 886-6181 FAX # (519) 886-9540

DWG. BY: C. ILIE	CHK'D BY:	TITLE: 290TX	DWG. NO.
DATE: 12/01/10	APP'D. BY:	TRANSFORMER	290TX
DIMENSIONS: IN() MM()			