

Excellent Integrated System Limited

Stocking Distributor

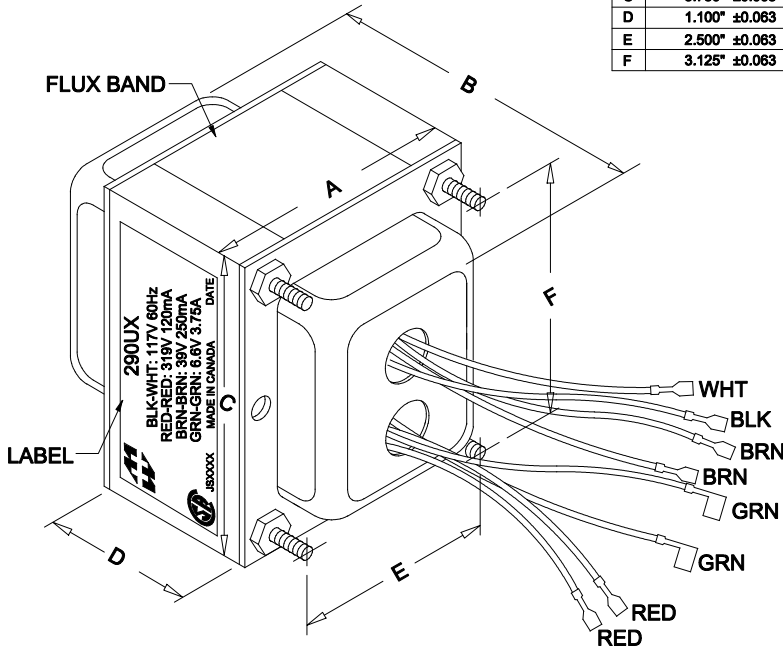
Click to view price, real time Inventory, Delivery & Lifecycle Information:

[Hammond Manufacturing](#)
[290UX](#)

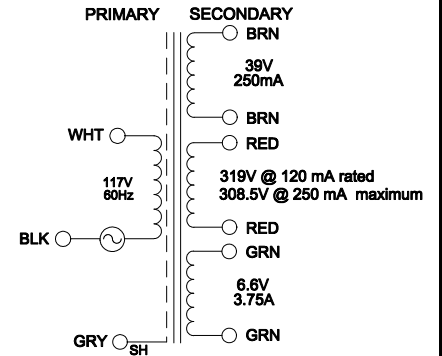
For any questions, you can email us directly:

sales@integrated-circuit.com

DIMENSIONS:	
A	3.125" ±0.063
B	3.250" ±0.125
C	3.750" ±0.063
D	1.100" ±0.063
E	2.500" ±0.063
F	3.125" ±0.063



NOTE: ALL LEADS 12" OUT MIN.



ELECTRICAL DATA:		
TESTS	CONDITIONS	ACCEPTANCE CRITERIA
lex	@ 117V, 60Hz, BLK - WHT	200mA Max.
Sec. N.L.V	@ 117V, 60Hz, BLK - WHT	
	RED - RED =	331.3V ±2%
	BRN - BRN =	40.95V ±2%
	GRN - GRN =	7.082V ±2%
DCR	@ 20°C, BLK - WHT =	4.140 Ω ±20%
	@ 20°C, RED - RED =	44.94 Ω ±20%
	@ 20°C, BRN - BRN =	4.800 Ω ±20%
	@ 20°C, GRN - GRN =	0.080 Ω ±20%
HIPOT	PRIMARY - SECONDARY	2500V, 60Hz, 1 SEC

REV.#	REVISION	DATE	HAMMOND MANUFACTURING		ELECTRONIC DIVISION		PH # (519) 886-6181
0	RELEASED.	07/26/11	52 RANKIN PLACE, WATERLOO, ONTARIO, N2J 3Z5		FAX # (519) 886-9540		DWG. NO. 290UX
1	Add B+ winding maximum current	09/18/14					
			DWG. BY: C. ILIE	CHK'D BY:	TITLE: 290UX		
			DATE: 07/26/11	APP'D. BY:	TRANSFORMER		
				DIMENSIONS: IN() MM()			