

## Excellent Integrated System Limited

Stocking Distributor

Click to view price, real time Inventory, Delivery & Lifecycle Information:

[Hammond Manufacturing](#)  
[2CSFB19](#)

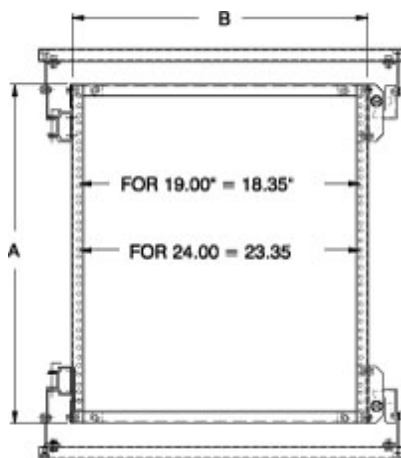
For any questions, you can email us directly:

[sales@integrated-circuit.com](mailto:sales@integrated-circuit.com)

## Swing Frame *S2CSWF Series*



- Available in 19" and 24" widths.
- Variable depth feature allows front to rear adjustment.
- Installs with either left or right hinging.
- Mounts onto Rail Support Kits (not included).
- Clip nuts required for mounting to punched rails.
- Finished in textured black.



Part No.	Fits Console Unit	Fits Console Size	Panel			
			Width	Height	A	B
<b>2CSFT19</b>	Turrets/Terminal	24,36,48,60	19"	8U	15.75	19.28
<b>2CSFT24</b>	Turrets/Terminal	36,48,60	24"	8U	15.75	24.28
<b>2CSFB19</b>	Bases	24,36,48,60	19"	12U	22.09	19.28
<b>2CSFB24</b>	Bases	36,48,60	24"	12U	22.09	24.28

Data subject to change without notice