



Distributor of Hammond Manufacturing: Excellent Integrated System Limited

Datasheet of 500-0950 - CONSOLE STEEL GRAY 7.94LX11.83"W

Contact us: sales@integrated-circuit.com Website: www.integrated-circuit.com

Excellent Integrated System Limited

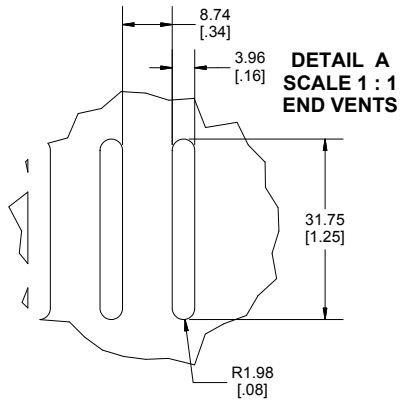
Stocking Distributor

Click to view price, real time Inventory, Delivery & Lifecycle Information:

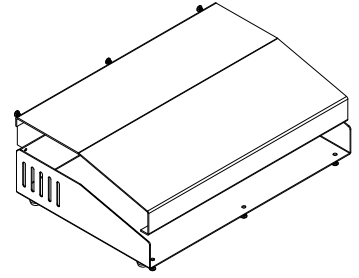
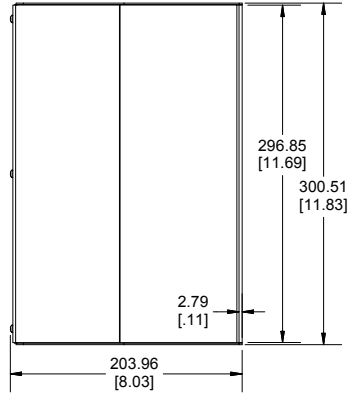
[Hammond Manufacturing](#)
[500-0950](#)

For any questions, you can email us directly:

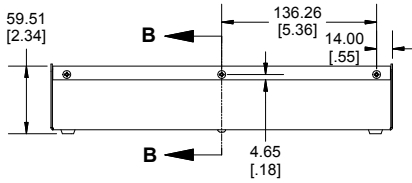
sales@integrated-circuit.com



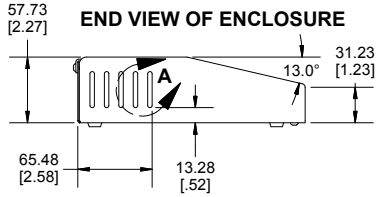
TOP VIEW OF ENCLOSURE



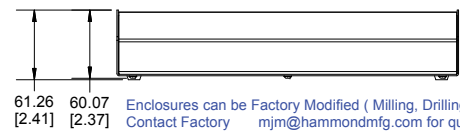
BACK VIEW OF ENCLOSURE



END VIEW OF ENCLOSURE

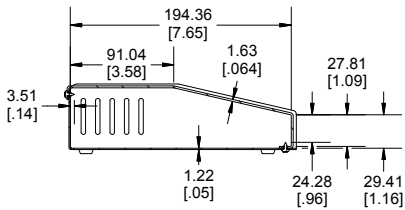


FRONT VIEW OF ENCLOSURE

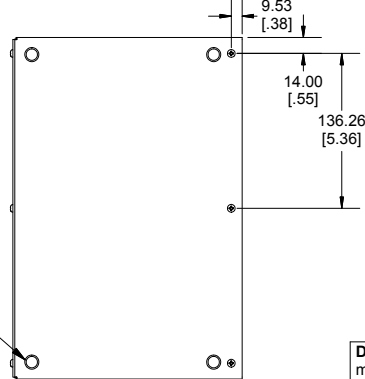


Enclosures can be Factory Modified (Milling, Drilling, Printing etc.)
Contact Factory mjm@hammondmfg.com for quotes
Solid models of this enclosure available in STEP or IGES.

**SECTION B-B
END VIEW**



BOTTOM VIEW OF ENCLOSURE



ADHESIVE RUBBER FEET

Dimensions:
mm
[inches]

NOTE

Case Includes Adhesive Rubber Feet and Required Hardware.
Enclosure Case is Made of 0.05" Steel.
Top Panel is Made of 0.064" Aluminum.

PART NUMBERS

500-0950 Enclosure	
Smooth Light Grey Top Case Dark Satin Grey Base Case	500-0950
ACCESSORIES	
Plated Cover Screws (Pkg 50) #6 x 1/4 Self Tapping	SC19482-50
Grey Self-Adhesive Rubber Feet (Pkg 4)	1421T2GY

**HAMMOND
MANUFACTURING™**
500-0950
www.hammondmfg.com