

## Excellent Integrated System Limited

Stocking Distributor

Click to view price, real time Inventory, Delivery & Lifecycle Information:

[BUD Industries, Inc.](#)  
[PN-1328](#)

For any questions, you can email us directly:

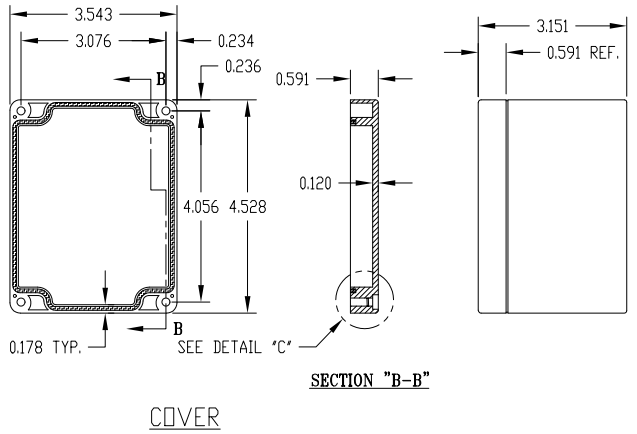
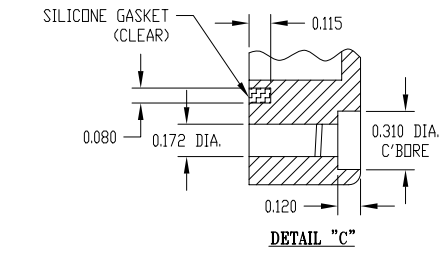
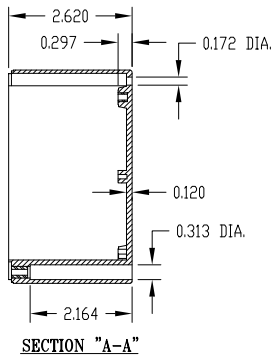
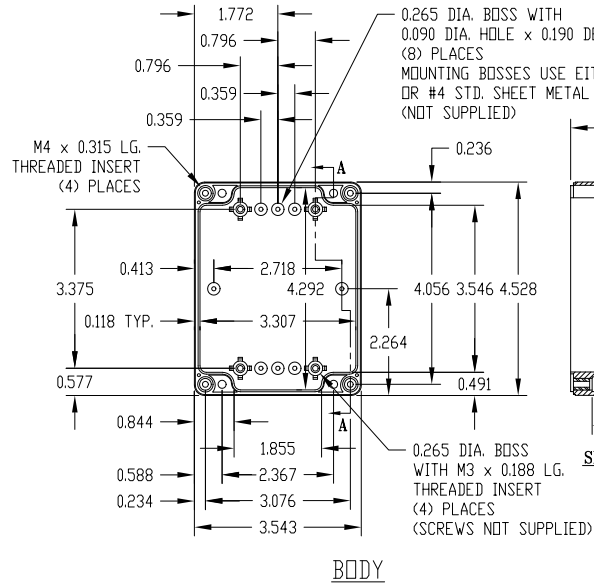
[sales@integrated-circuit.com](mailto:sales@integrated-circuit.com)

PART NAME	NEMA 4X ENCLOSURE	PART No.	PN-1328, PN-1328-C AND PN-1328-DG	REV. DATE	11-17-08
-----------	-------------------	----------	-----------------------------------	-----------	----------

INDUSTRY STANDARDS:

POLYCARBONATE (LIGHT GRAY AND CLEAR)  
 UL94-HB FLAMMABILITY RATING (UL FILE #E41613)  
 UV STABILIZED  
 SERVICE TEMPERATURE RANGE: -40°C TO +120°C

ABS (DARK GRAY)  
 UL94-HB FLAMMABILITY RATING (UL FILE #E56070)  
 SERVICE TEMPERATURE RANGE: -40°C TO +80°C



NOTE: ALL DIMENSIONS HAVE ±0.015 TOLERANCE UNLESS OTHERWISE SPECIFIED.

PART NUMBER	MATERIAL		FINISH		HARDWARE KIT
	BODY	COVER	BODY	COVER	
PN-1328	POLYCARBONATE		LIGHT GRAY		KIT CONTAINS (4) M4 x 20mm (0.787") LG. SCREWS FOR ASSEMBLY
PN-1328-C	POLYCARBONATE		LIGHT GRAY	CLEAR	
PN-1328-DG	HIGH-IMPACT ABS		DARK GRAY		