

## **Excellent Integrated System Limited**

Stocking Distributor

Click to view price, real time Inventory, Delivery & Lifecycle Information:

[Panasonic Electronic Components](#)  
[ESB-33535A](#)

For any questions, you can email us directly:

[sales@integrated-circuit.com](mailto:sales@integrated-circuit.com)

# Panasonic

## Push Switches/ESB33

### ESB33 Vertical Push Switches

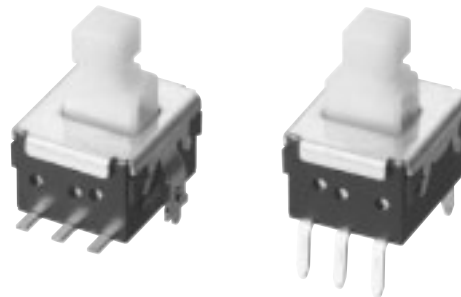
Type: **ESB33 (H=6.0 mm)**

#### ■ Features

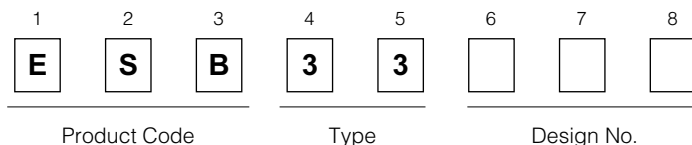
- Low profile (H=6.0 mm)
- 3 N and 5 N operating force availables

#### ■ Recommended Applications

- Operation switches for automobiles (heater control switches etc.)
- Secondary power switches for lower voltage in consumer electronic equipment and different types of mode switches



#### ■ Explanation of Part Numbers



#### ■ Specifications

Rating	50 $\mu$ A 3 Vdc to 0.2 A 14 Vdc (Resistive load)
Travel	Lock travel=1.5 mm Full travel=2.3 mm
Mounting Height	6.0 mm
Poles and Throws	2-poles 2-throws
Operating Mode	Self-lock, Non-lock
Switching Mode	Non-shorting
Minimum Quantity/Packing Unit	100 pcs. Polyethylene Bag (Bulk) / 300 pcs. Embossed Taping (Reel Pack)
Quantity/Carton	2000 pcs. Polyethylene Bag (Bulk) / 1800 pcs. Embossed Taping (Reel Pack)

#### ■ Standard Products

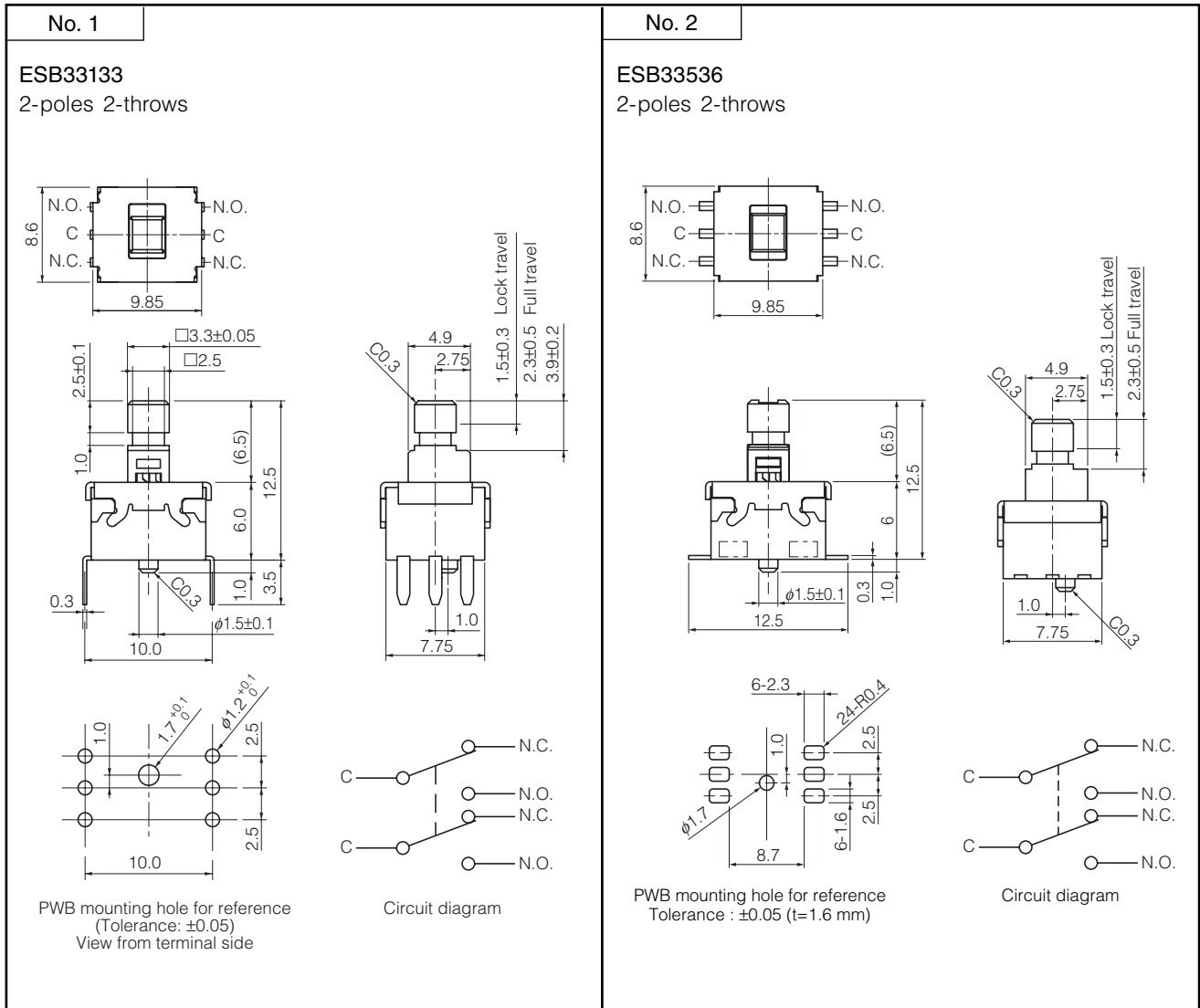
Operating Mode	Terminals	Packaging	Operating Force	Part Numbers	Lever Color
PP	Wave Soldering	Polyethylene Bag (Bulk)	3.0 N $\pm$ 1.0 N	ESB33133	Light Yellow
NL				ESB33134	
PP	Surface Mount	Embossed Taping (Reel )	3.0 N $\pm$ 1.0 N	ESB33535	Light Yellow
NL				ESB33536	

Note: PP=Self-lock NL=Non-lock

# Panasonic

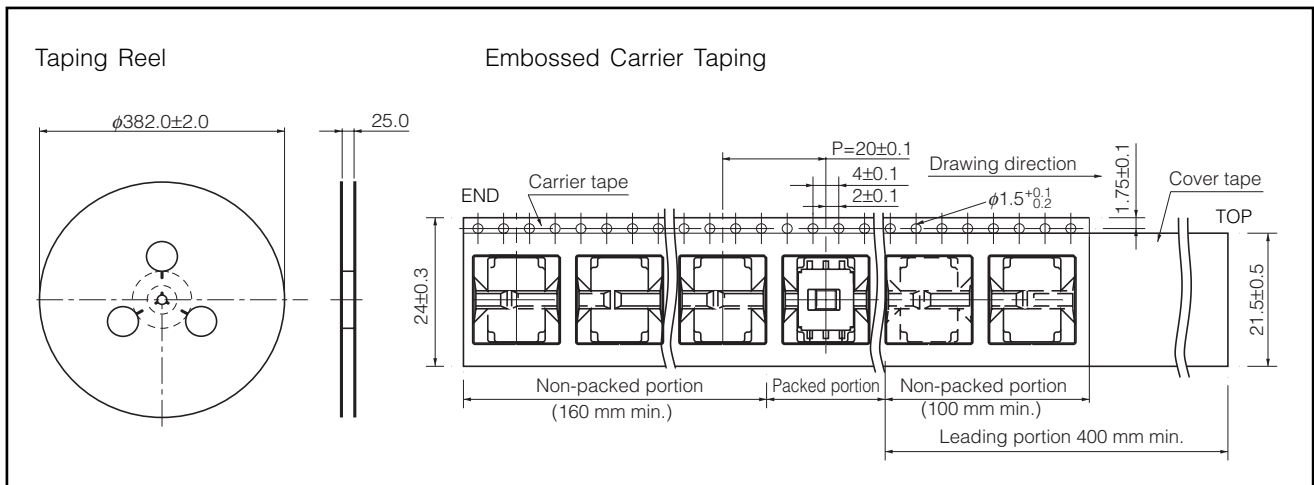
## Push Switches/ESB33

■ Dimensions in mm (not to scale)



■ Packaging Specifications

Standard Reel Dimensions in mm (not to scale)



■ Application Notes:

- Operating force should be applied at the center of the lever.