

## Excellent Integrated System Limited

Stocking Distributor

Click to view price, real time Inventory, Delivery & Lifecycle Information:

[Phoenix Contact](#)  
[1404816](#)

For any questions, you can email us directly:

[sales@integrated-circuit.com](mailto:sales@integrated-circuit.com)

<https://www.phoenixcontact.com/us/produkte/1404816>



## Sensor/Actuator cable - SAC-3P- 5,0-PVC/B-1L-Z B-L - 1404816

Please be informed that the data shown in this PDF Document is generated from our Online Catalog. Please find the complete data in the user's documentation. Our General Terms of Use for Downloads are valid (<http://download.phoenixcontact.com>)



Sensor/Actuator cable, 3-position, PVC, Black RAL 9005, Free cable end, on B valve plug (10 mm), with 1 LED, connected with Z diode, Cable length: 5 m



### Key commercial data

Packing unit	0
Minimum order quantity	1
GTIN	 4 046356 726467
Custom tariff number	85444290
Country of origin	POLAND

### Technical data

#### General data

Rated current at 40°C	4 A
Rated voltage	24 V
Number of positions	3
Volume resistance	≤ 5 mΩ
Insulation resistance	≥ 100 MΩ
Length of cable	5 m
Ambient temperature (operation)	-20 °C ... 85 °C (valve plug)

#### General characteristics

Standards/regulations	Valve connector EN 175301-803
Surge voltage category	III
Pollution degree	3
Degree of protection	IP65/67
Torque	0.6 Nm (Valve plug-in connector)
Valve plug contact material	CuSn
Valve plug contact surface material	Sn
Valve plug contact insert material	PA 66
Material housing valve plug	TPU
Sealing material	TPU (Seal molded)

<https://www.phoenixcontact.com/us/produkte/1404816>


## Sensor/Actuator cable - SAC-3P- 5,0-PVC/B-1L-Z B-L - 1404816

### Technical data

#### General characteristics

Status display	1 LED
Protective circuit/component	Z diode

#### Conductor data

Cable type	PVC black
Cable type (abbreviation)	PVC
Cable abbreviation	LiYY
Conductor cross section	3x 0.5 mm <sup>2</sup>
AWG signal line	20
Conductor structure signal line	16x 0.20 mm
Core diameter including insulation	1.5 mm ±0.05 mm
Wire colors	Black 1, black 2, green/yellow
Overall twist	3 wires, twisted
External sheath, color	Black RAL 9005
External cable diameter D	4.8 mm ± 0.2 mm
Smallest bending radius, fixed installation	24 mm
Smallest bending radius, movable installation	48 mm
Outer sheath, material	PVC
Material conductor insulation	PVC
Conductor material	Bare Cu litz wires
Insulation resistance	Min. 20 MΩ*km
Conductor resistance	39 Ω/km (at 20 °C)
Nominal voltage, conductor	300 V
Test voltage, conductor	1200 V
Flame resistance	DIN EN 50265-2-1
Resistance to oil	Almost oil-resistant
Ambient temperature (operation)	-40 °C ... 80 °C (cable, fixed installation)
Ambient temperature (operation)	-5 °C ... 80 °C (cable, flexible installation)

### Classifications

#### ETIM

ETIM 3.0	EC001855
ETIM 4.0	EC001855
ETIM 5.0	EC001855

#### UNSPSC

UNSPSC 11	31251501
UNSPSC 12.01	31251501
UNSPSC 13.2	31251501
UNSPSC 6.01	31251501
UNSPSC 7.0901	31251501

<https://www.phoenixcontact.com/us/produkte/1404816>



## Sensor/Actuator cable - SAC-3P- 5,0-PVC/B-1L-Z B-L - 1404816

### Classifications

eCl@ss

eCl@ss 4.0	27060306
eCl@ss 4.1	27060306
eCl@ss 5.0	27061801
eCl@ss 5.1	27061801
eCl@ss 6.0	27061801
eCl@ss 7.0	27061801

### Accessories

Accessories

Assembly

Screw - SAC-V-SCREW-M3-29 KNURL - 1403779



Fillister head screw with plastic knurl, M3 x 40

### Marking

Insert label - PABA WH/15 - 1013151



Insert label, white, Unlabeled, Can be labeled with: Plotter, Mounting type: Thread on, Cable diameter: 0.6-50 mm, Lettering field: 15 x 4 mm

Insert label - PABA YE/15 - 1013698



Insert label, yellow, Unlabeled, Can be labeled with: Plotter, Mounting type: Thread on, Cable diameter: 0.6-50 mm, Lettering field: 15 x 4 mm

Insert label - PABA RD/15 - 1013944



Insert label, red, Unlabeled, Can be labeled with: Plotter, Mounting type: Thread on, Cable diameter: 0.6-50 mm, Lettering field: 15 x 4 mm

<https://www.phoenixcontact.com/us/produkte/1404816>



## Sensor/Actuator cable - SAC-3P- 5,0-PVC/B-1L-Z B-L - 1404816

### Accessories

Conductor marker carrier - PATG 2/23 - 1013850



Conductor marker carrier, transparent, Unlabeled, Mounting type: Slide on, Cable diameter: 2-4 mm, Lettering field: 4 x 23 mm

Conductor marker carrier - PATG 3/23 - 1013863



Conductor marker carrier, transparent, Unlabeled, Mounting type: Slide on, Cable diameter: 4-7 mm, Lettering field: 4 x 23 mm

Conductor marker carrier - PATG 4/23 - 0808011



Conductor marker carrier, transparent, Unlabeled, Mounting type: Slide on, Cable diameter: 6-10 mm, Lettering field: 4 x 23 mm

Marker pen - B-STIFT - 1051993



Marker pen, for manual labeling of unprinted Zack strips, smear-proof and waterproof, line thickness 0.5 mm

### Tools

Cable-cutting tool - CUTFOX-S VDE - 1212207



Diagonal cutter for copper and aluminum conductors, VDE-tested

<https://www.phoenixcontact.com/us/produkte/1404816>



## Sensor/Actuator cable - SAC-3P- 5,0-PVC/B-1L-Z B-L - 1404816

### Accessories

Stripping tool - WIREFOX SAC - 1212623



Stripping pliers, for halogen-free sensor/actuator cables (SAC cables), with PUR and PVC insulation, from Ø of 4.4 to 7 mm, any stripping length

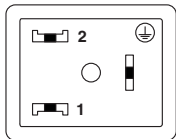
Stripping tool - WIREFOX 10 - 1212150



Stripping tool, for cables and conductors from 0.02 - 10 mm<sup>2</sup>, self-adjusting, stripping length of up to 18 mm, cutting capacity of up to 10 mm<sup>2</sup> stranded/1.5 mm<sup>2</sup> solid, replaceable stripping blade

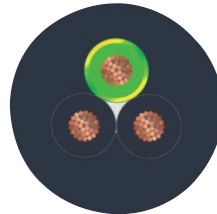
### Drawings

Schematic diagram



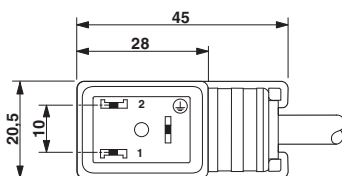
Valve connector pin assignment, type B

Cable cross section



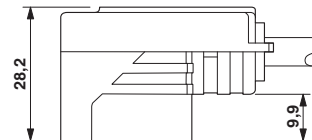
PVC black [PVC]

Dimensioned drawing



Valve plug, type B

Dimensioned drawing



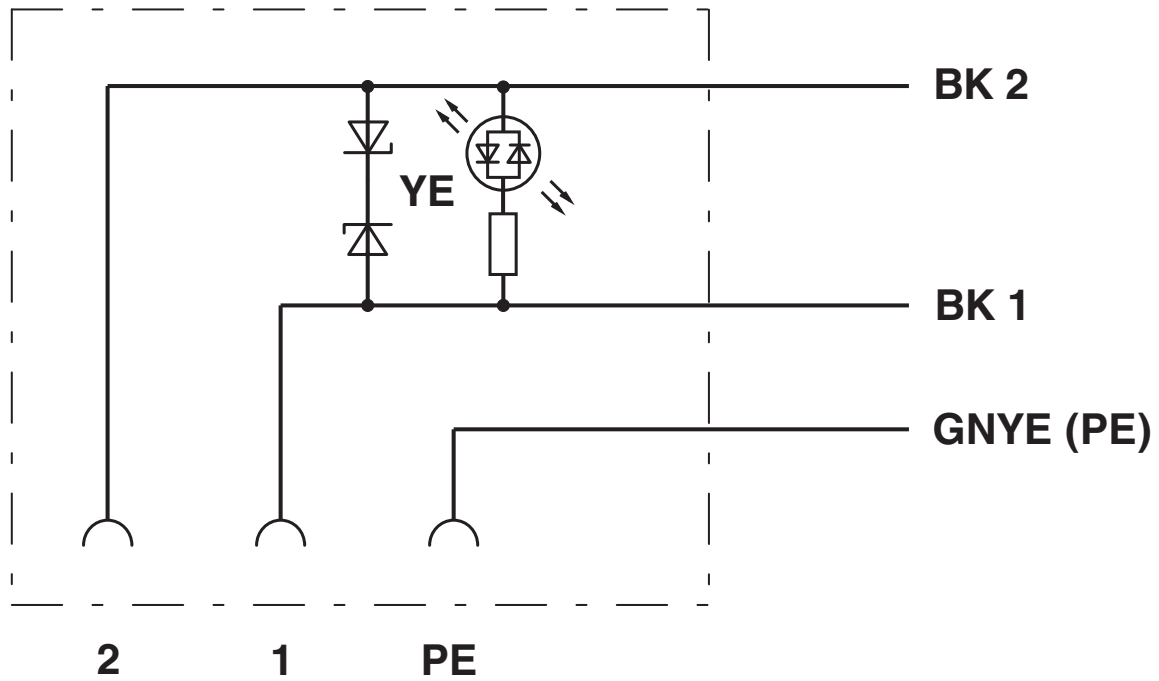
Valve connector, type B, side view

<https://www.phoenixcontact.com/us/produkte/1404816>



## Sensor/Actuator cable - SAC-3P- 5,0-PVC/B-1L-Z B-L - 1404816

Circuit diagram



<https://www.phoenixcontact.com/us/produkte/1404816>



---

© Phoenix Contact 2012 - all rights reserved  
<http://www.phoenixcontact.com>