

## **Excellent Integrated System Limited**

Stocking Distributor

Click to view price, real time Inventory, Delivery & Lifecycle Information:

[Molex Connector Corporation](#)  
[0366970003](#)

For any questions, you can email us directly:  
[sales@integrated-circuit.com](mailto:sales@integrated-circuit.com)

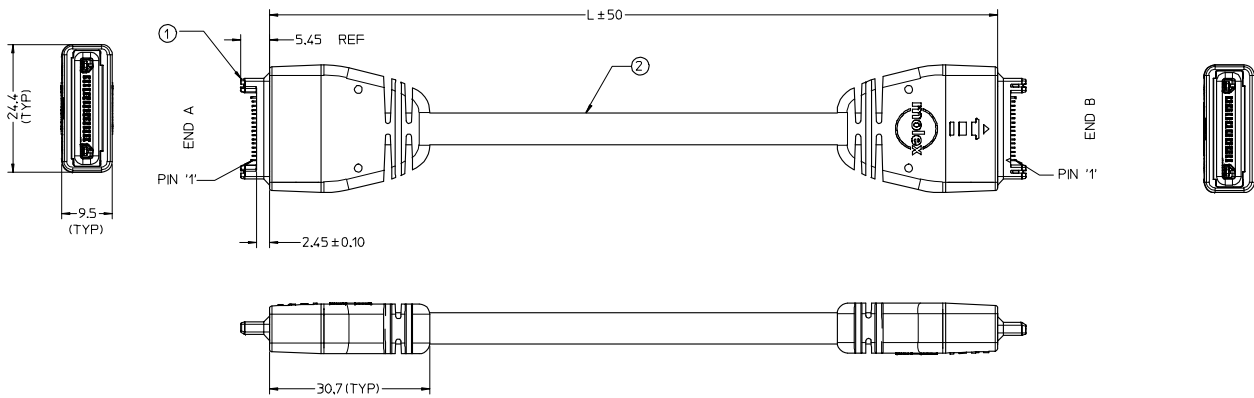


TABLE-1

16	YELLOW/WHITE	16
15	GREEN/WHITE	15
14	BROWN/WHITE	14
13	BLUE/WHITE	13
12	ORANGE/WHITE	12
11	RED/WHITE	11
10	WHITE	10
9	BLACK/WHITE	9
8	VOILET	8
7	BLUE	7
6	GREEN	6
5	YELLOW	5
4	ORANGE	4
3	RED	3
2	BROWN	2
1	BLACK	1
END A	COLOUR	END B

PART NUMBER	'L' (MM)
36697-0001	1000
36697-0002	2000
36697-0003	3000

ITEM	DESCRIPTION	QTY
2	16 CORE CABLE, 7/0.1 STRANDED TINNED COPPER 30 AWG, PVC JACKETED, OD 6.0MM	-
1	HANDYLINK 16 PIN CONNECTOR PART 453391600	2

EC NO. 12006-0503	2006/06/28	QUALITY SYMBOLS	GENERAL TOLERANCES (UNLESS SPECIFIED)	DIMENSION STYLE	SCALE	DESIGN UNITS	THIRD ANGLE PROJECTION
UJDRWSSUDHIR	2006/06/28	▽=0	mm INCH	MM ONLY	2:1	METRIC	
CHICXKPRASAD	2006/06/28	▽=0	4 PLACES ± --- ± ---	DRAWN BY	DATE		
APPR:KPRASAD	2006/06/28		3 PLACES ± --- ± ---	SSUDHIR	2005/07/20		
			2 PLACES ± --- ± ---	CHECKED BY	DATE		
			1 PLACE ± --- ± ---	KPRASAD	2005/07/20		
			ANGULAR ± --- °	APPROVED BY	DATE		
				KPRASAD	2005/07/20		
			DRAFT WHERE APPLICABLE MUST REMAIN WITHIN DIMENSIONS	MATERIAL NO.	DOCUMENT NO.		
					SD-36697-001		
				SEE CHART			
				THIS DRAWING CONTAINS INFORMATION THAT IS PROPRIETARY TO MOLEX INCORPORATED AND SHOULD NOT BE USED WITHOUT WRITTEN PERMISSION			