

Excellent Integrated System Limited

Stocking Distributor

Click to view price, real time Inventory, Delivery & Lifecycle Information:

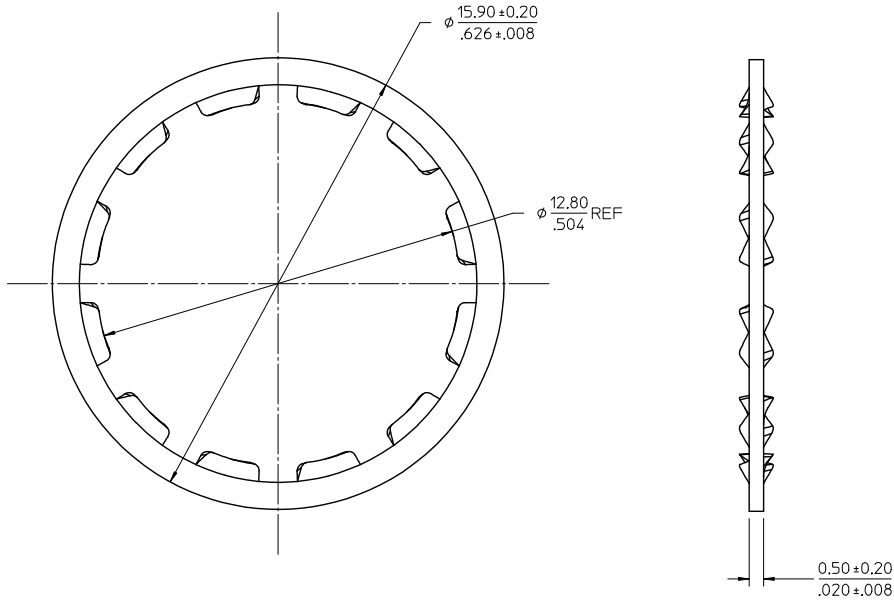
[Molex Connector Corporation](#)
[0896100104](#)

For any questions, you can email us directly:

sales@integrated-circuit.com

MATERIALS AND FINISHES

LOCK WASHER: PHOSPHOR BRONZE
PLATED NICKEL



PART # 89610-0104

CUG: ADD TOLERANCE LCR: RFD-LE18 EC NO: URF-2015-0597 DRAWING NO: 2015/04/28 CHKD: CHENG APPR: TCHENG 2015/05/06	QUALITY SYMBOLS	GENERAL TOLERANCES (UNLESS SPECIFIED)	DIMENSION STYLE	SCALE	DESIGN UNITS	THIRD ANGLE PROJECTION
	$\nabla = 0$ $\nabla = 0$ $\nabla = 0$	mm INCH 4 PLACES ± --- ± --- 3 PLACES ± --- ± --- 2 PLACES ± --- ± --- 1 PLACE ± --- ± --- 0 PLACE ± --- ± ---	MM/IN		METRIC	
	DESCRIPTION	ANGULAR ± 2 °	DRAWN BY	DATE	TITLE	
	REV	DRAFT WHERE APPLICABLE MUST REMAIN WITHIN DIMENSIONS	AROBERTSON	2010/01/08	LOCKWASHER M-LW	
			CHECKED BY	DATE		
			SSS			
			APPROVED BY	DATE		
			MATERIAL NO.	DOCUMENT NO.		
			896100104	SD-89610-0104		
			SIZE	THIS DRAWING CONTAINS INFORMATION THAT IS PROPRIETARY TO MOLEX INCORPORATED AND SHOULD NOT BE USED WITHOUT WRITTEN PERMISSION		
			C			