

## Excellent Integrated System Limited

Stocking Distributor

Click to view price, real time Inventory, Delivery & Lifecycle Information:

[Molex Connector Corporation](#)  
[0734151960](#)

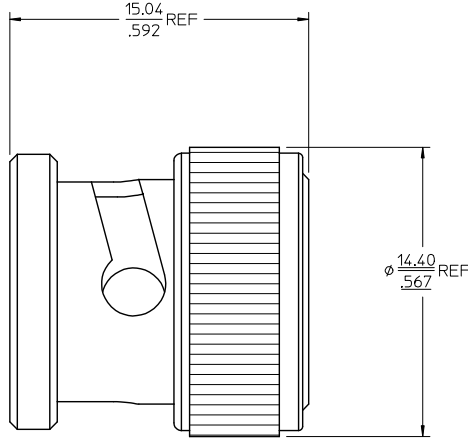
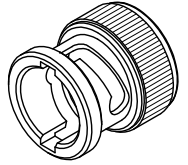
For any questions, you can email us directly:

[sales@integrated-circuit.com](mailto:sales@integrated-circuit.com)

MATERIALS AND FINISHES

COUPLING NUT, CAP BRASS  
PLATED NICKEL

GASKET SILICONE RUBBER



73415-1961	73415-1960, ONE PER BAG
73415-1960	POLY BAG
PART NO.	PACKAGING

FIG. 1960 POLY BAG W/S BULK PER REF: E15-279 EC NO: URF2016-0031 DRAWING NO: 2015/08/06 CHKD: APPR: Y. CHENG 2015/08/07	QUALITY SYMBOLS	GENERAL TOLERANCES (UNLESS SPECIFIED)	DIMENSION STYLE	SCALE	DESIGN UNITS	THIRD ANGLE PROJECTION	
	$\nabla=0$ $\nabla=0$ $\nabla=0$	mm INCH 4 PLACES ± --- ± --- 3 PLACES ± --- ± --- 2 PLACES ± --- ± --- 1 PLACE ± --- ± --- 0 PLACE ± ±	MM/IN	DRAWN BY DATE AZR 2003/08/12 CHECKED BY DATE JDW 2003/08/12 APPROVED BY DATE GMH 2003/08/12	METRIC	BNC PLUG, DUST CAP EWR-2143 BNC-M <b>molex</b>	MATERIAL NO. SEE TABLE
	ANGULAR ± 2 ° DRAFT WHERE APPLICABLE MUST REMAIN WITHIN DIMENSIONS	THIS DRAWING CONTAINS INFORMATION THAT IS PROPRIETARY TO MOLEX INCORPORATED AND SHOULD NOT BE USED WITHOUT WRITTEN PERMISSION	DOCUMENT NO. SD-73415-196	SHEET NO. 1 OF 1			
	REV	A2					