

## Excellent Integrated System Limited

Stocking Distributor

Click to view price, real time Inventory, Delivery & Lifecycle Information:

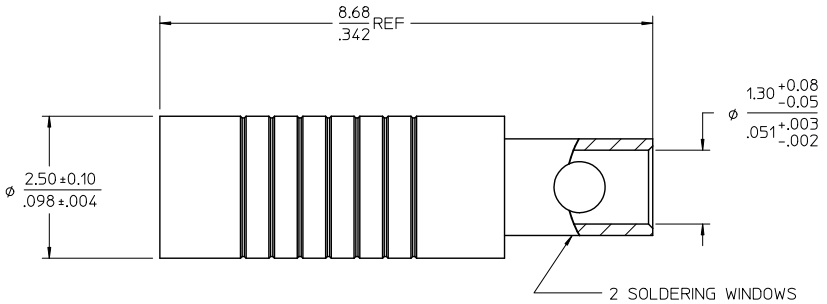
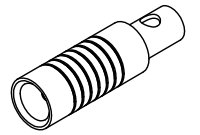
[Molex Connector Corporation](#)  
[0734154760](#)

For any questions, you can email us directly:

[sales@integrated-circuit.com](mailto:sales@integrated-circuit.com)

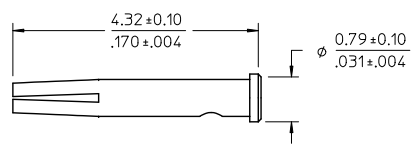
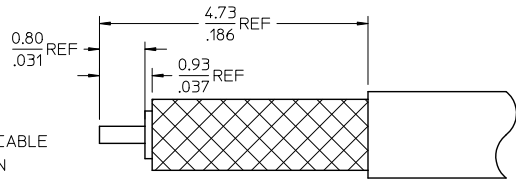
MATERIALS AND FINISHES

|  |   |
|--|---|
| PART NO. 73415-4760/73415-4761<br>73415-4762/73415-4763<br>73415-4765                                      | PART NO. 73415-4764                               |
| BODY<br>BRASS<br>PLATED:50u* MIN COPPER UNDERCOAT.<br>100~200u* NICKEL UNDERCOAT.<br>2u* MIN GOLD PLATING. | BODY<br>BERYLLIUM COPPER<br>PLATED TRI-METAL      |
| CENTER CONTACT<br>BERYLLIUM COPPER<br>PLATED:10u* MIN GOLD PLATING   | CENTER CONTACT<br>BERYLLIUM COPPER<br>PLATED GOLD |
| INSULATOR<br>TEFLON  | INSULATOR<br>TEFLON                               |



WITHSTAND 48HRS SALT SPRAY TEST

- Note:
1. Part No.73415-4761 WITHOUT CONTACT PART
  2. 73415-4762 WITH CUSTOMER REQUEST PACKAGE
  3. Part No.73415-4763 USE PART NO.73415-4760 WITH 500PCS BY BAG



| PART NO.   | DESCRIPTION  | PACKAGING                   |
|------------|--------------|-----------------------------|
| 73415-4767 | NON-MAGNETIC | 1 PIECE 73415-4764 PER BAG  |
| 73415-4766 | GENERAL TYPE | 1 PIECE 73415-4760 PER BAG  |
| 73415-4765 | GENERAL TYPE | SPECIFIC LABEL ON OUTER BOX |
| 73415-4764 | NON-MAGNETIC | 500pcs BY ONE BAG           |
| 73415-4763 | GENERAL TYPE | 500pcs BY ONE BAG           |
| 73415-4762 | GENERAL TYPE | SEE NOTE 2                  |
| 73415-4761 | GENERAL TYPE | SEE NOTE 1                  |
| 73415-4760 | GENERAL TYPE | 1000pcs BY ONE BAG          |

|               |                       |
|---------------|-----------------------|
| PS-89675-0320 | PRODUCT SPECIFICATION |
| SPECIFICATION | DESCRIPTION           |

| CHG: PS WAS<br>PS-73599-0220,<br>DELETED AS.<br>EC NO: URF2011-0430<br>2011/01/17<br>DRW: JLEEZ<br>2011/01/17<br>CHK: JSSS<br>2011/01/17<br>APPR: JWENER<br>2011/01/17<br>C6 | QUALITY SYMBOLS<br>▽=0<br>▽=0                               | GENERAL TOLERANCES (UNLESS SPECIFIED)   | DIMENSION STYLE  | SCALE | DESIGN UNITS | THIRD ANGLE PROJECTION |       |       |          |       |       |          |       |       |         |       |       |       |  |        |  |
|--|---|---|------------------|-------|--------------|------------------------|-------|-------|----------|-------|-------|----------|-------|-------|---------|-------|-------|-------|--|--------|--|
|  |   | <table border="1"> <thead> <tr> <th></th> <th>mm</th> <th>INCH</th> </tr> </thead> <tbody> <tr> <td>4 PLACES</td> <td>± ---</td> <td>± ---</td> </tr> <tr> <td>3 PLACES</td> <td>± ---</td> <td>± ---</td> </tr> <tr> <td>2 PLACES</td> <td>± ---</td> <td>± ---</td> </tr> <tr> <td>1 PLACE</td> <td>± ---</td> <td>± ---</td> </tr> </tbody> </table> |                  | mm    | INCH         | 4 PLACES               | ± --- | ± --- | 3 PLACES | ± --- | ± --- | 2 PLACES | ± --- | ± --- | 1 PLACE | ± --- | ± --- | MM/IN |  | METRIC |  |
|  |   |   | mm               | INCH  |              |                        |       |       |          |       |       |          |       |       |         |       |       |       |  |        |  |
|  |   | 4 PLACES  | ± ---            | ± --- |              |                        |       |       |          |       |       |          |       |       |         |       |       |       |  |        |  |
| 3 PLACES   | ± ---   | ± ---   |                  |       |              |                        |       |       |          |       |       |          |       |       |         |       |       |       |  |        |  |
| 2 PLACES   | ± ---   | ± ---   |                  |       |              |                        |       |       |          |       |       |          |       |       |         |       |       |       |  |        |  |
| 1 PLACE  | ± ---   | ± ---   |                  |       |              |                        |       |       |          |       |       |          |       |       |         |       |       |       |  |        |  |
| DRAWN BY: JLEE DATE: 2007/07/23<br>CHECKED BY: TFLAHERTY DATE: 2007/07/23<br>APPROVED BY: JWENER DATE: 2007/07/23  | TITLE: SSMCX JACK, 50 OHM CABLE TYPE (.047, 1.3MM) SSMCX-JC | MATERIAL NO. SEE TABLE<br>DOCUMENT NO. SD-73415-476   | SHEET NO. 1 OF 1 |       |              |                        |       |       |          |       |       |          |       |       |         |       |       |       |  |        |  |
| DRAFT WHERE APPLICABLE MUST REMAIN WITHIN DIMENSIONS   |   |   |                  |       |              |                        |       |       |          |       |       |          |       |       |         |       |       |       |  |        |  |