

Excellent Integrated System Limited

Stocking Distributor

Click to view price, real time Inventory, Delivery & Lifecycle Information:

[Molex Connector Corporation](#)
[0733860042](#)

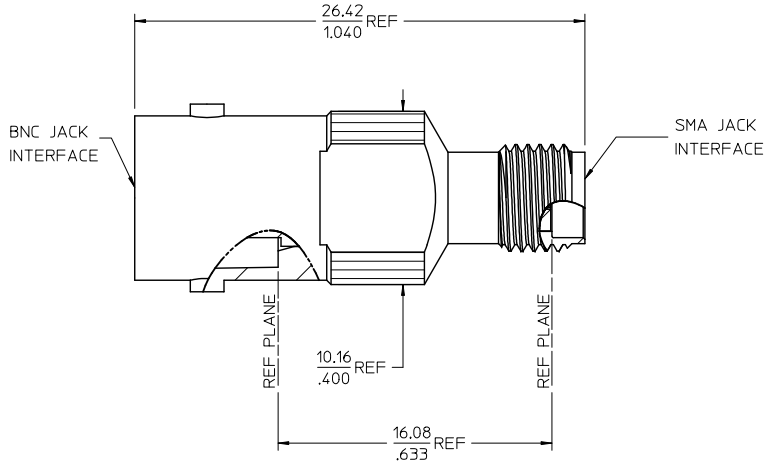
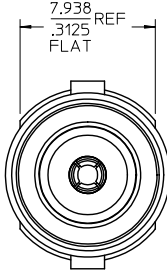
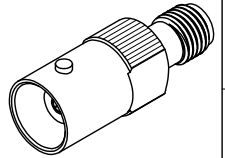
For any questions, you can email us directly:
sales@integrated-circuit.com

MATERIALS AND FINISHES

BODY STAINLESS STEEL
PASSIVATED

CENTER CONTACT BERYLLIUM COPPER
PLATED GOLD

INSULATOR TEFLON



PS-89675-2700	ELECTRO/MECH PERFORM.
MIL-STD-348A, FIG. 301-2	BNC INTERFACE
MIL-STD-348A, FIG. 310-2	SMA INTERFACE
SPECIFICATION	DESCRIPTION

73386-0042	TRAY
73386-0041	ONE PER BAG
PART NO.	PACKAGING

CHG: UPDATE VIEWS EC NO: URF2013-0380 2013/01/08 DRAWN: JMTNER 2013/01/08 CHKD: SSS 2013/01/08 APPR: JMTNER 2013/01/08 B2	QUALITY SYMBOLS ▽=0 ▽=0	GENERAL TOLERANCES (UNLESS SPECIFIED)		DIMENSION STYLE		SCALE	DESIGN UNITS	THIRD ANGLE PROJECTION	
				MM/IN					
		4 PLACES ± --- ± ---	mm INCH	DRAWN BY	DATE	TITLE			
		3 PLACES ± --- ± ---		EOC	1997/12/29	BSA,BNC JACK TO SMA JACK ADAPTER, 50 OHMS			
2 PLACES ± --- ± ---		CHECKED BY	DATE	EWR-2910 BSA-BNCJ/SMAJ					
1 PLACE ± --- ± ---		DHG	1998/01/05	MOLEX INCORPORATED					
ANGULAR ± 2 °		APPROVED BY	DATE	MATERIAL NO.		DOCUMENT NO.			
		GMH	1998/01/05			SD-73386-004			
DRAFT WHERE APPLICABLE MUST REMAIN WITHIN DIMENSIONS		SEE TABLE		SIZE		SHEET NO. 1 OF 1			
				C		THIS DRAWING CONTAINS INFORMATION THAT IS PROPRIETARY TO MOLEX INCORPORATED AND SHOULD NOT BE USED WITHOUT WRITTEN PERMISSION			