

Excellent Integrated System Limited

Stocking Distributor

Click to view price, real time Inventory, Delivery & Lifecycle Information:

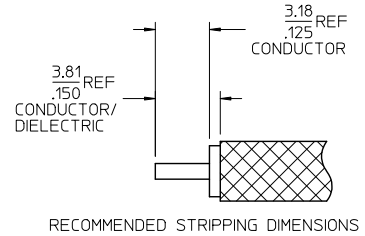
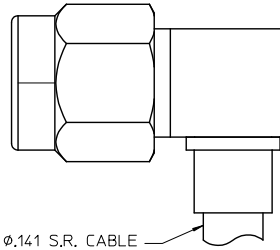
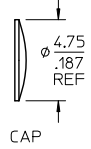
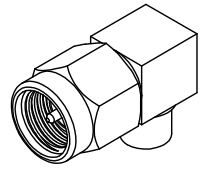
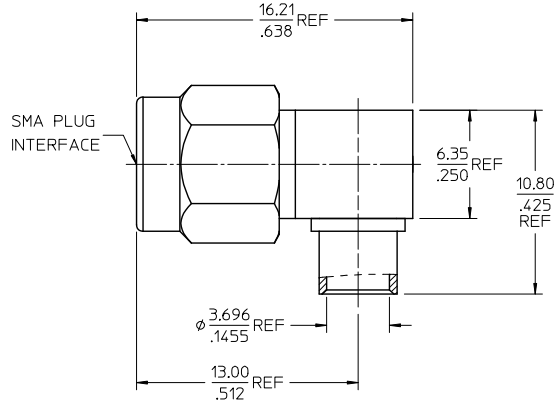
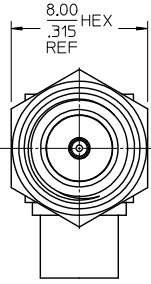
[Molex Connector Corporation](#)
[0732510552](#)

For any questions, you can email us directly:

sales@integrated-circuit.com

MATERIALS AND FINISHES

- BODY, CAP, COUPLING NUT: BRASS
FINISH: SEE TABLE
- CENTER CONTACT: BERYLLIUM COPPER
FINISH: GOLD
- INSULATOR: TEFLON
- RETAINING RING: BERYLLIUM COPPER
- GASKET: SILICONE RUBBER



73251-0553	GOLD	NICKEL	NICKEL	TRAY
73251-0552	GOLD	GOLD	GOLD	-0551 ONE PER BAG
73251-0551	GOLD	GOLD	GOLD	TRAY
73251-0550	NICKEL	NICKEL	NICKEL	TRAY
PART NO.	BODY	CAP	COUPLING NUT	PACKAGING

CHG:ADDED -0553 PER: PDR15072025	EC NO: URF2016-0113	2015/08/13
	DRW:RTEH	2015/08/13
A8	CHKD: CHEN	2015/08/21
	APPR: CHEN	2015/08/21

QUALITY SYMBOLS	GENERAL TOLERANCES (UNLESS SPECIFIED)	DIMENSION STYLE	SCALE	DESIGN UNITS	THIRD ANGLE PROJECTION
∇=0	mm INCH	MM/IN	6:1	METRIC	☉
∇=0	4 PLACES ± --- ± ---	DRAWN BY	DATE	TITLE	
∇=0	3 PLACES ± --- ± ---	TEF	2000/05/24	SMA PLUG,R/A FOR .141 SR	
∇=0	2 PLACES ± --- ± ---	CHECKED BY	DATE	CABLE, 50 OHMS	
∇=0	1 PLACE ± --- ± ---	SSS	2000/05/24	SMA-PC/RA, EWR-3594	
∇=0	0 PLACE ± --- ± ---	APPROVED BY	DATE		
∇=0	ANGULAR ± 2 °	GMH	2000/05/24		
DRAFT WHERE APPLICABLE MUST REMAIN WITHIN DIMENSIONS	SIZE C	MATERIAL NO.	DOCUMENT NO.	SHEET NO.	
		SEE TABLE	SD-73251-055	1 OF 1	
THIS DRAWING CONTAINS INFORMATION THAT IS PROPRIETARY TO MOLEX INCORPORATED AND SHOULD NOT BE USED WITHOUT WRITTEN PERMISSION					