

Excellent Integrated System Limited

Stocking Distributor

Click to view price, real time Inventory, Delivery & Lifecycle Information:

[Molex Connector Corporation](#)
[0731713541](#)

For any questions, you can email us directly:

sales@integrated-circuit.com

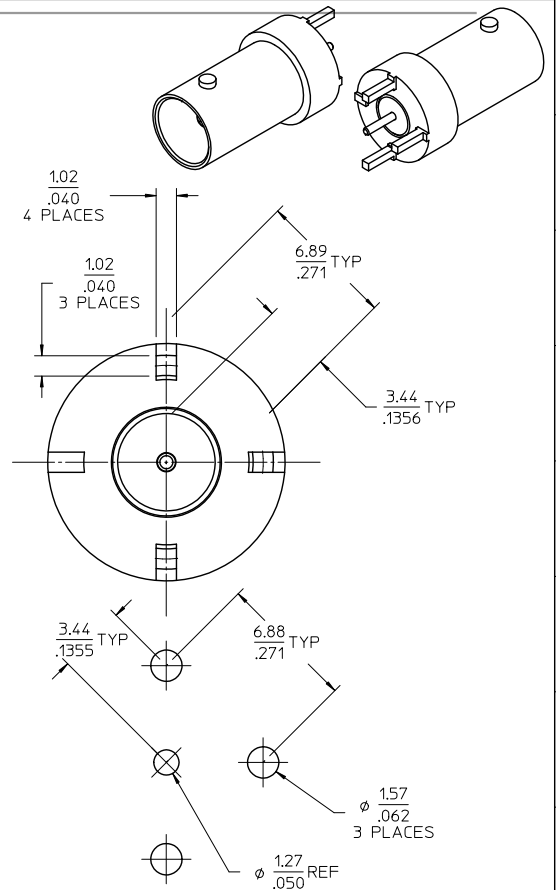
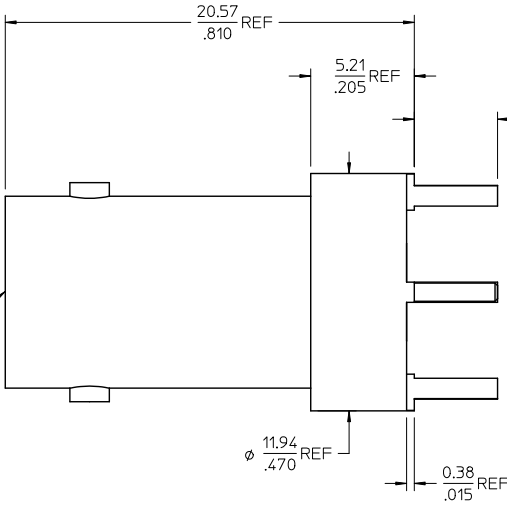
MATERIALS AND FINISHES

BODY, PRESS RING: BRASS
PLATED NICKEL

CONTACT: BERYLLIUM COPPER
PLATED GOLD

INSULATOR: TEFLON

BNC JACK
75 OHM INTERFACE



NOTE:
3 PCB LEGS
4 STANDOFFS

SUGGESTED PCB LAYOUT

73171-3541	ONE PER BAG
73171-3540	TRAY
PART NO.	PACKAGING

PS-89675-2020	PRODUCT SPECIFICATION
SPECIFICATION	DESCRIPTION

CHG: ADD PS AND -3541 EC NO: URF2011-0572 DRAWN: JWIENER 2/11/08/30 CHKD: SSS 2/11/08/30 APPR: JWIENER 2/11/08/30	QUALITY SYMBOLS ▽=0 ▽=0	GENERAL TOLERANCES (UNLESS SPECIFIED)		DIMENSION STYLE	SCALE	DESIGN UNITS	THIRD ANGLE PROJECTION
		mm	INCH	MM/IN	METRIC		
A1	REV	4 PLACES	±	---	DRAWN BY	DATE	BNC JACK PCB 3GHZ 75 OHM VERTICAL BNC-J/PCB, EWR-3694
		3 PLACES	±	---	JDW	2008/07/16	
		2 PLACES	±	---	CHECKED BY	DATE	MOLEX INCORPORATED
		1 PLACE	±	---	SSS	2008/07/16	
		ANGULAR ± 2 °		APPROVED BY	DATE	MATERIAL NO. DOCUMENT NO. SHEET NO.	
		DRAFT WHERE APPLICABLE MUST REMAIN WITHIN DIMENSIONS		JDW	2008/07/16	SEE TABLE	SD-73171-354 1 OF 1
SIZE C THIS DRAWING CONTAINS INFORMATION THAT IS PROPRIETARY TO MOLEX INCORPORATED AND SHOULD NOT BE USED WITHOUT WRITTEN PERMISSION							