

Excellent Integrated System Limited

Stocking Distributor

Click to view price, real time Inventory, Delivery & Lifecycle Information:

[Molex Connector Corporation](#)
[0732760191](#)

For any questions, you can email us directly:

sales@integrated-circuit.com

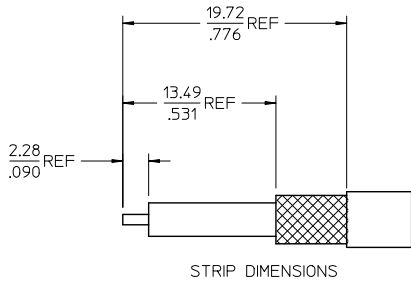
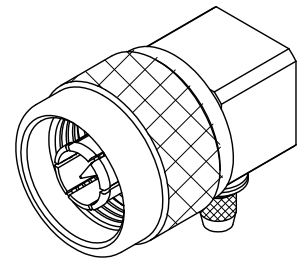
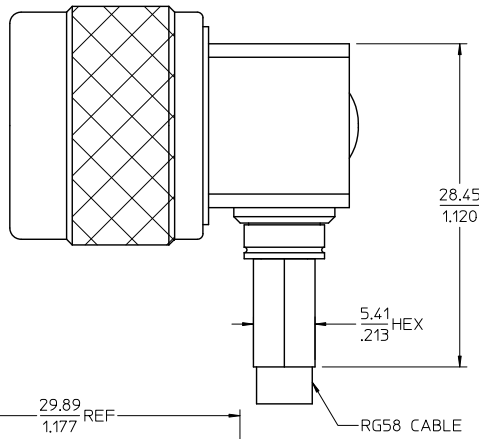
MATERIALS AND FINISHES

BODY, COUPLING NUT, CAP, OUTER CONTACT BRASS
PLATED NICKEL

CENTER CONTACT BRASS
PLATED GOLD

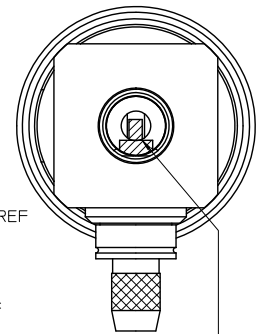
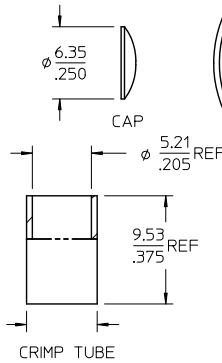
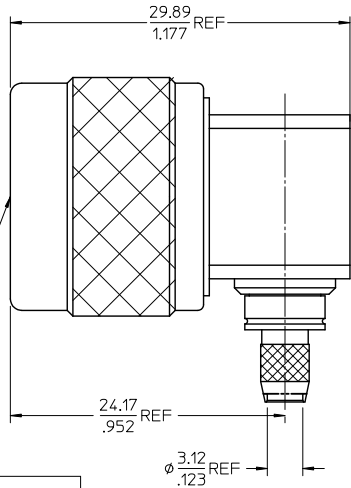
INSULATOR TEFLON

GASKET SILICONE RUBBER



STRIP DIMENSIONS

N PLUG
INTERFACE



CABLE DIELECTRIC MUST
COME CLOSE TO THE CENTER
CONTACT AS POSSIBLE

73276-0191	ONE PER BAG
73276-0190	STANDARD
PART NO.	PACKAGING

MIL-STD-348A, FIG. 304.1	INTERFACE
SPECIFICATION	DESCRIPTION

CHG: ADD -0191 EC NO: URF2011-0614 DRAWN: JWENER 2/11/04/18 CHKD: JSS 2/11/04/18 APPR: JWENER 2/11/04/20	QUALITY SYMBOLS ▽=0 ▽=0	GENERAL TOLERANCES (UNLESS SPECIFIED)	DIMENSION STYLE		SCALE	DESIGN UNITS	THIRD ANGLE PROJECTION
			mm	INCH			
B1	DESCRIPTION	4 PLACES ±	±	DRAWN BY	DATE	TITLE	MATERIAL NO.
		3 PLACES ±	±	JM	2005/08/24		
		2 PLACES ±	±	CHECKED BY	DATE		
		1 PLACE ±	±	JM	2005/08/24		
		ANGULAR ± 2 °		APPROVED BY	DATE		
		DRAFT WHERE APPLICABLE MUST REMAIN WITHIN DIMENSIONS		JDW	2005/08/24		
		SEE TABLE		MATERIAL NO.		DOCUMENT NO.	
		SIZE		SD-73276-019		SHEET NO.	
		THIS DRAWING CONTAINS INFORMATION THAT IS PROPRIETARY TO MOLEX INCORPORATED AND SHOULD NOT BE USED WITHOUT WRITTEN PERMISSION				1 OF 1	