

## Excellent Integrated System Limited

Stocking Distributor

Click to view price, real time Inventory, Delivery & Lifecycle Information:

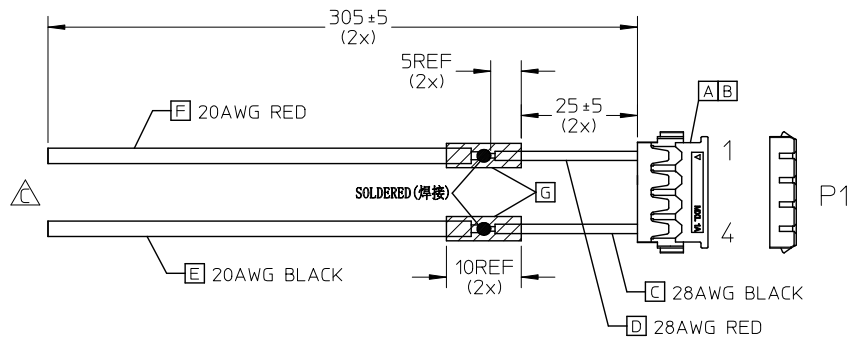
[Molex Connector Corporation](#)  
[0688014085](#)

For any questions, you can email us directly:

[sales@integrated-circuit.com](mailto:sales@integrated-circuit.com)

7	6	5	4	3	2	1
---	---	---	---	---	---	---

REVISIONS				
EC NO	DATE	REV	DESCRIPTION	CHANGER
	12.12.24	A	INITIAL RELEASE.	JORRY DUAN
CY13-5880	13.01.09	B	CHG. TITLE	JORRY DUAN
CY13-5950	13.01.25	C	CANCEL TINNED	JORRY DUAN



NOTES

1. THIS PRODUCT MUST MEET EU 2002/95 EC ROHS COMPLIANCE.

此产品符合EU 2002/95 EC ROHS 环保要求

2. ELECTRICAL PERFORMANCE REFER TO ES-000.

电气特性参考ES-000.

3. 28AWG WIRE SPEC.(线的规格)

- 1) WIRE OD:0.7+/-0.05MM,
- 2) WIRE INSULATION: FEP
- 3) CONDUCTOR:7/0.127 TINNED COPPER
- 4)UL STYLE:UL1371
- 5)TEMPERATURE RATING:105℃
- 6) RATED VOLTAGE:300V

4. 20AWG WIRE SPEC.(线的规格)

- 1) WIRE OD:1.78+/-0.05MM,
- 2) WIRE INSULATION: PVC
- 3) CONDUCTOR:26/0.16 TINNED COPPER
- 4)UL STYLE:UL1569
- 5)TEMPERATURE RATING:105℃
- 6) RATED VOLTAGE:300V

5. STICK UL LABEL ON THE OUTSIDE CARTON.

外箱上贴UL标签

WIRING CHART	
P1	COLOR
1	RED
2	
3	
4	BLACK

G	HST 2MM BLACK	A/R	
F	20AWG,PLTD,PVC,RD,1.78mm,UL1569	A/R	
E	20AWG,PLTD,PVC,BK,1.78mm,UL1569	A/R	
D	28AWG,FEP,RED,OD:0.7MM,UL1371,VW-1.	A/R	
C	28AWG,FEP,BLACK,OD:0.7MM,UL1371,VW-1.	A/R	
B	TERMINAL 28-30AWG		2
A	4CKT HSG,WHITE		1
ITEM	DESCRIPTION	L(MM)	Q'TY

EC NO: CPG2013-2410 DRW/CX/FA003 2013/01/26 CHKD:JDUAN 2013/01/26 APPR:FNIE 2013/01/28	QUALITY SYMBOLS ∇=0 ∇=0 ∇=0	GENERAL TOLERANCES (UNLESS SPECIFIED)		DIMENSION STYLE MM ONLY		SCALE ---	DESIGN UNITS METRIC	THIRD ANGLE PROJECTION
		4 PLACES ± --- ± --- 3 PLACES ± --- ± --- 2 PLACES ± --- ± --- 1 PLACE ± --- ± --- 0 PLACE ± --- ± ---	mm INCH ± --- ± --- ± --- ± --- ± --- ± --- ± --- ± ---	DRAWN BY CX1A003	DATE 2012/12/25	TITLE 2PINS WIRING PICO EZMATE 12" 20/28AWG	MATERIAL NO. 688014085	DOCUMENT NO. SD-68801-087
DRAFT WHERE APPLICABLE MUST REMAIN WITHIN DIMENSIONS		APPROVED BY FNIE		DATE 2012/12/26	THIS DRAWING CONTAINS INFORMATION THAT IS PROPRIETARY TO MOLEX INCORPORATED AND SHOULD NOT BE USED WITHOUT WRITTEN PERMISSION			

tb\_frame\_A4\_P\_ME\_T  
Rev. G 2012/01/11

6	5	4	3	2	1
---	---	---	---	---	---