

Excellent Integrated System Limited

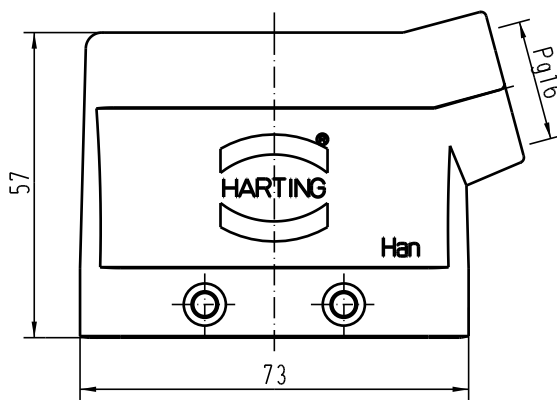
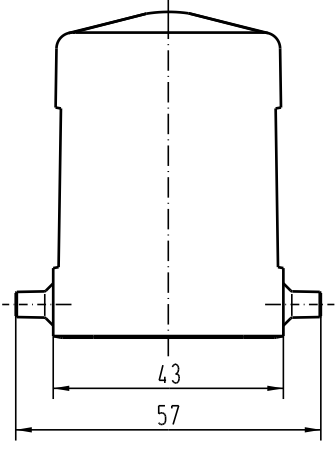
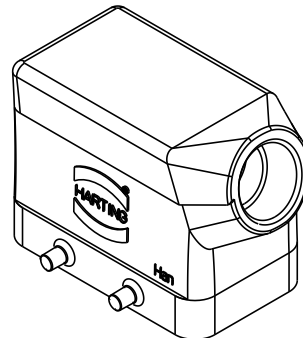






Stocking Distributor

Click to view price, real time Inventory, Delivery & Lifecycle Information:

[Harting](#)
[09340030501](#)

For any questions, you can email us directly:
sales@integrated-circuit.com

Alle Rechte vorbehalten/ All rights reserved

5	4	3	2	1																																																											
D																																																															
C																																																															
B																																																															
A	<table border="1" style="width:100%; border-collapse: collapse;"> <tr> <td colspan="3" style="text-align: center;">  All Dimensions in mm Original Size DIN A 4 </td> <td colspan="3" style="text-align: center;">Techn. Character.</td> <td colspan="3" style="text-align: center;">Nicht lotierte Masse/ free size tolerances</td> </tr> <tr> <td></td> <td></td> <td></td> <td style="text-align: center;">Dat.</td> <td style="text-align: center;">Name</td> <td style="text-align: center;">Maststab/Scale</td> <td colspan="3" rowspan="3" style="text-align: center; vertical-align: middle;"> Han 3HvE-gs-Pg16 Tüllengehäuse/ <i>hoods side-entry</i> </td> </tr> <tr> <td></td> <td></td> <td></td> <td style="text-align: center;">Detail.</td> <td style="text-align: center;">03.09.03</td> <td style="text-align: center;">DY</td> <td rowspan="2" style="text-align: center; vertical-align: middle; font-size: 2em;">1:1</td> </tr> <tr> <td></td> <td></td> <td></td> <td style="text-align: center;">Insp.</td> <td></td> <td style="text-align: center;">KR</td> </tr> <tr> <td></td> <td></td> <td></td> <td style="text-align: center;">Stand.</td> <td></td> <td></td> <td colspan="3" rowspan="2" style="text-align: center; vertical-align: middle;"> TB 09 34 003 0501 </td> </tr> <tr> <td style="text-align: center;">410609</td> <td></td> <td></td> <td colspan="3" style="text-align: center;">HARTING Electric GmbH & Co. KG</td> <td colspan="3" style="text-align: center;">  </td> </tr> <tr> <td style="text-align: center;">Mod.</td> <td style="text-align: center;">Dat.</td> <td style="text-align: center;">Name</td> <td colspan="3" style="text-align: center;">D-32339 Espelkamp</td> <td style="text-align: center;">Sub.</td> <td colspan="3" style="text-align: center;"> Blatt/ page / </td> </tr> </table>				 All Dimensions in mm Original Size DIN A 4			Techn. Character.			Nicht lotierte Masse/ free size tolerances						Dat.	Name	Maststab/Scale	Han 3HvE-gs-Pg16 Tüllengehäuse/ <i>hoods side-entry</i>						Detail.	03.09.03	DY	1:1				Insp.		KR				Stand.			TB 09 34 003 0501			410609			HARTING Electric GmbH & Co. KG						Mod.	Dat.	Name	D-32339 Espelkamp			Sub.	Blatt/ page /		
 All Dimensions in mm Original Size DIN A 4			Techn. Character.			Nicht lotierte Masse/ free size tolerances																																																									
			Dat.	Name	Maststab/Scale	Han 3HvE-gs-Pg16 Tüllengehäuse/ <i>hoods side-entry</i>																																																									
			Detail.	03.09.03	DY				1:1																																																						
			Insp.		KR																																																										
			Stand.			TB 09 34 003 0501																																																									
410609			HARTING Electric GmbH & Co. KG																																																												
Mod.	Dat.	Name	D-32339 Espelkamp			Sub.	Blatt/ page /																																																								