

Excellent Integrated System Limited

Stocking Distributor

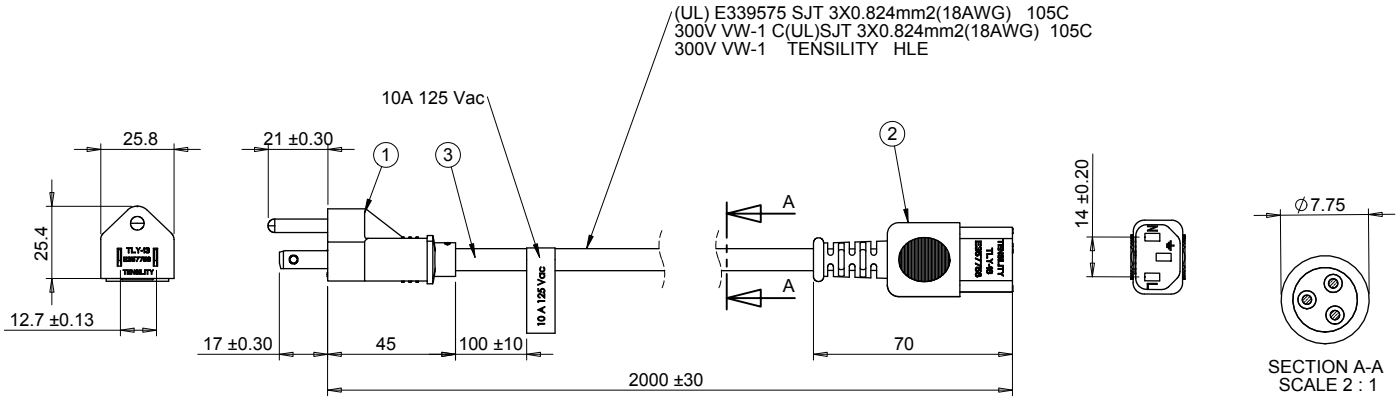
Click to view price, real time Inventory, Delivery & Lifecycle Information:

[Tensility International Corporation](#)
[11-00017](#)

For any questions, you can email us directly:

sales@integrated-circuit.com

| ITEM NO. | PART NUMBER | DESCRIPTION | QTY. | NOTES |
|----------|-------------|---|------|----------------|
| 1 | TLY-13 | NEMA 5-15P | 1 | black overmold |
| 2 | TLY-18 | C13 | 1 | black overmold |
| 3 | 30-00248 | Wire, 3C, 18 AWG, UL SJT, 300V, 105°C, 7.75 mm, VW-1, PVC | 1 | |



| Revision | Date | Description | Notes | | TENSILITY | | |
|----------|------------|-----------------|--|---|---|-----------------|--------------|
| A | 12/19/2012 | Initial release | Rated for 10 A at 125 Vac | | 20802 Sockeye Place #130 Bend, OR 97701 USA tel 541.323.3228 fax 541.323.4202 800 877.670.7118 www.tensility.com | | |
| | | | RoHS, REACH and Dodd-Frank conflict materials compliant | | | | |
| | | | Function test: no open, no reversed polarity, no short circuit, no INT | | | | |
| | | | DIMENSIONS ARE IN MILLIMETERS | DESCRIPTION: | SIZE | Part number | |
| | | | TOLERANCES: | Ac cord, 2000 mm, U.S, NEMA 5-15P plug, TLY-13 to C13, TLY-18, 18 AWG, SJT wire, 30-00248 | A | 11-00017 | |
| | | | X: ± 0.5 mm | | SCALE:1:2 | WEIGHT: | SHEET 1 OF 1 |
| | | | X.X: ± 0.3 mm | | | | |
| | | | X.XX: ± 0.05 mm | | | | |

5

↑

4

3

2

1