



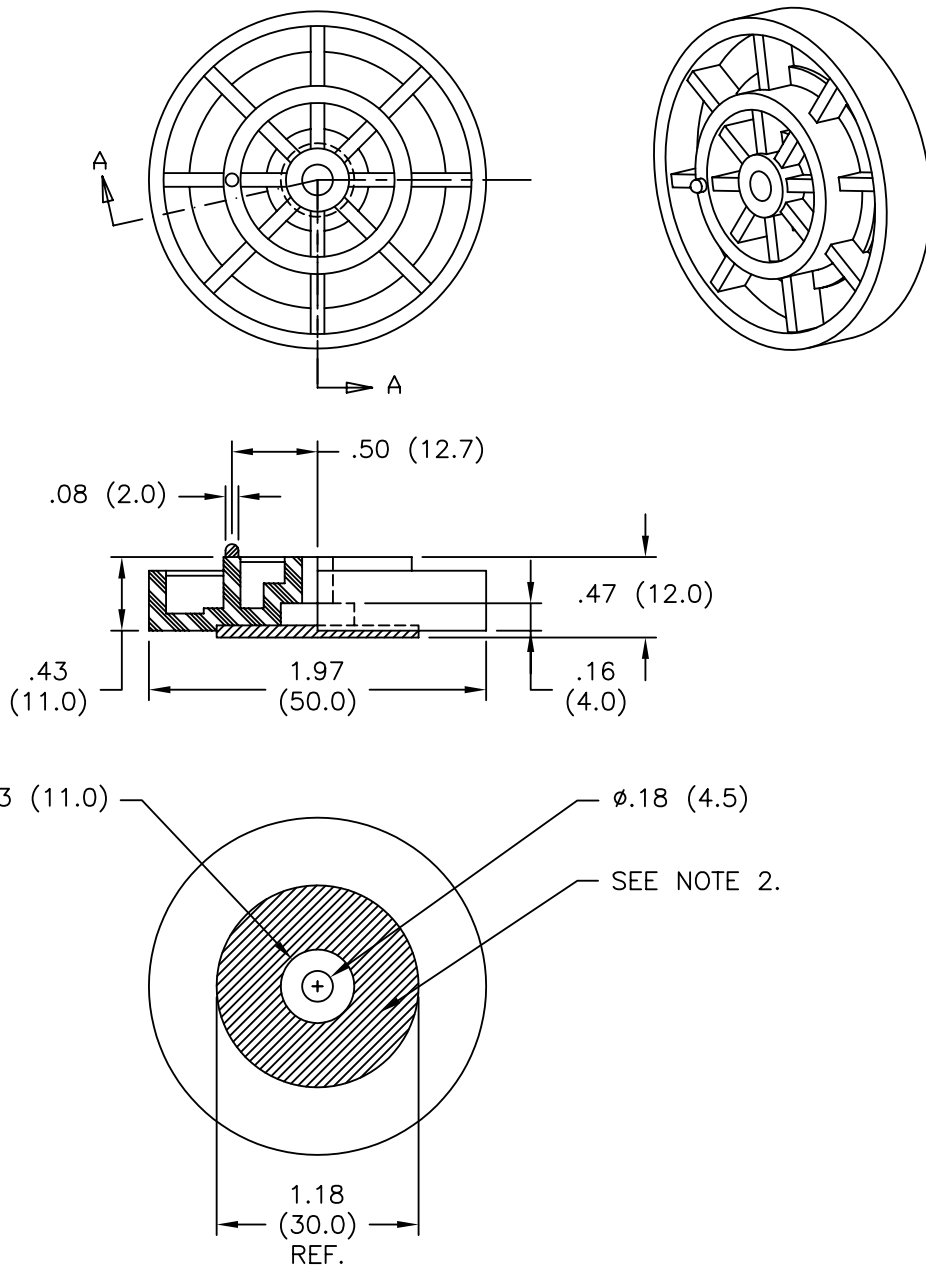
Excellent Integrated System Limited

Stocking Distributor

Click to view price, real time Inventory, Delivery & Lifecycle Information:

[Essentra Components \(formerly Richco, Inc.\)](#)
[BF-1005](#)

For any questions, you can email us directly:
sales@integrated-circuit.com



NOTES:

1. MATERIAL: ABS (RMS-114).
2. CUSHION MATERIAL: NYLON FIBER (RMS-240).
3. COLOR: BLACK.
4. RECOMMENDED MOUNTING SCREW
SIZE: #8 (M4), PAN HEAD
(NOT FURNISHED).

B	SEE ECN #1125 FOR CHANGES	SK 01.25.06
A	COMPLETELY REDRAWN; ADDED RMS-114 AND CHANGED FILE NO.	S.M. 05.31.01
REV	DESCRIPTION	ENGR DATE

TITLE: **BIG FOOT-1005**



TOLERANCES UNLESS NOTED .XX=±.020 .XXX=±.015 FRAC=±1/64 ANG=±1°	FILE # BF-1005	DWN: S.M.	APP:	FINAL	
	MAT'L: SEE NOTES	DT: 05/31/01	DT:	PART #	PRINT TYPE
RE: RICHCO, INC.	RICHCO INC. PO BOX 804238, CHICAGO, 60680 (773) 539-4060		BF-1005		CA