

Excellent Integrated System Limited

Stocking Distributor

Click to view price, real time Inventory, Delivery & Lifecycle Information:

[Vicor Corporation](#)
[18156](#)

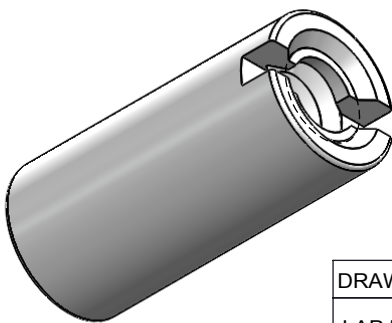
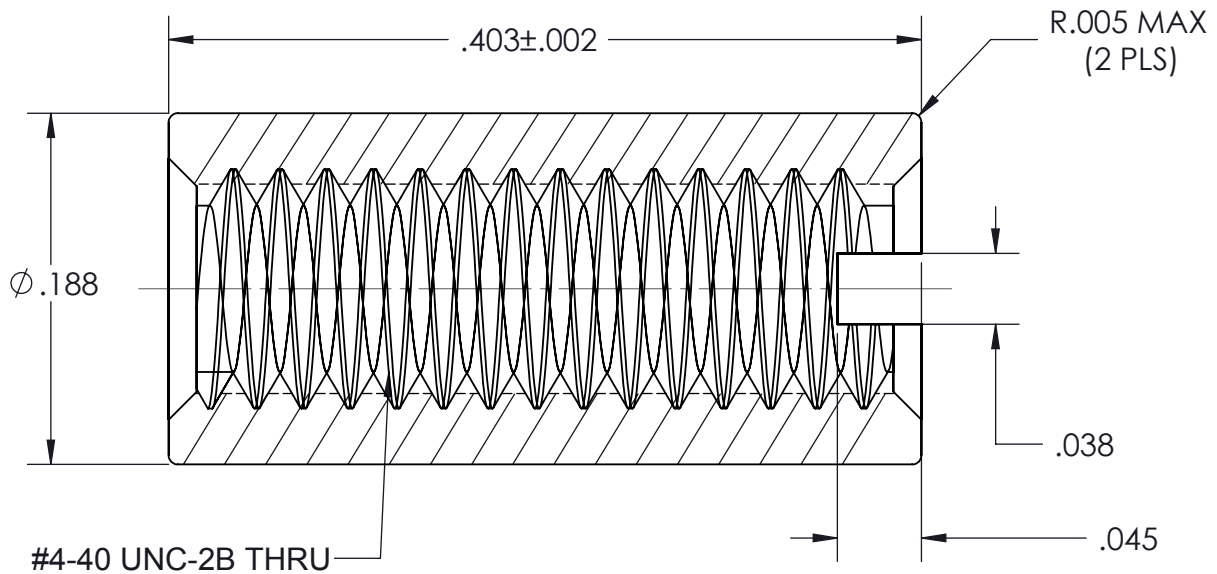
For any questions, you can email us directly:

sales@integrated-circuit.com

VICOR CONFIDENTIAL

THIS DOCUMENT AND THE DATA DISCLOSED HEREIN OR HEREWITH IS NOT TO BE REPRODUCED, USED OR DISCLOSED IN WHOLE OR IN PART TO ANYONE WITHOUT THE PERMISSION OF VICOR CORP.

REVISIONS				
REV	DESCRIPTION		DATE	APPROVED
1	RELEASE PER E9830074	PEI	11/13/98	JMR
2	REVISED PER E100944	KUK	07/22/10	DCS



NOTES:

1. MATERIAL: 300 SERIES STAINLESS STEEL PER AISI.
2. FINISH: CLEAR PASSIVATE PER QQ-P-35B, TYPE II.
3. REMOVE ALL BURRS AND SHARP EDGES.
4. KIT P/N 18156 AND 24054
5. BAG P/N 19132
6. DIMENSIONS ARE INCHES ONLY.

DRAWN	DATE	VICOR		SWD
LAP NGUYEN	11/24/97	STANDOFF, 0.403 LG FEMALE-FEMALE		
MATERIAL	UNLESS OTHERWISE SPECIFIED DIMENSIONS ARE INCH [MM] TOLERANCES ARE: DECIMALS ANGLES X.XX [X.X] = ±0.01 [0.25] ±1° X.XXX [X.XX] = ±0.005 [0.127]	SIZE	CAGE CODE	DWG NO
FINISH		A	67131	18114
THIRD ANGLE PROJECTION		SCALE 10 : 1		REV
 DO NOT SCALE DRAWING				2
				SHEET 1 OF 1