

Excellent Integrated System Limited

Stocking Distributor

Click to view price, real time Inventory, Delivery & Lifecycle Information:

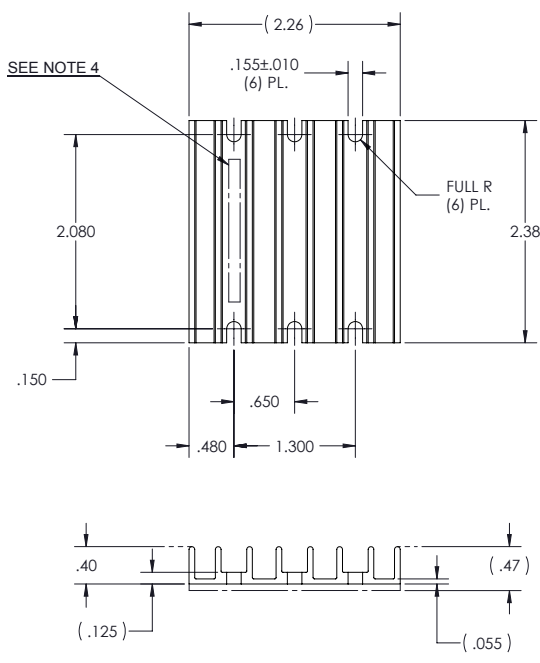
[Vicor Corporation](#)
[30140](#)

For any questions, you can email us directly:

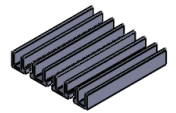
sales@integrated-circuit.com

VICOR CONFIDENTIAL
THIS DOCUMENT AND THE DATA DISCLOSED HEREIN OR HEREWITH IS NOT TO BE REPRODUCED, USED OR DISCLOSED IN WHOLE OR IN PART TO ANYONE WITHOUT THE PERMISSION OF VICOR CORP.

REV.	DESCRIPTION	DATE	APPROVED
1	RELEASED PER E050349	PEI 11/15/05	ECF
2	REVISED PER E100622	GCK 04/28/10	REJH
3	REVISED PER E100872	KUK 06/30/10	DCS
4	REVISED PER E120629	ZMB 07/02/12	SJ
5	REVISED PER E120794	SJ 08/30/12	REJH
6	REVISED PER E131431	GCK 10/8/13	TO



- NOTES**
1. MATERIAL: EXTRUSION SEE SHEET 2 OF 2
 2. CLEAR FINISH, RoHS COMPLIANT PER CST-0001, LATEST REVISION PER A.) CHROMIUM FREE, OR B.) TRIVALENT CHROMIUM IN ACCORDANCE WITH MIL-DTL-5541, TYPE II, CLASS 1A OR 3. SEE CST-0003 FOR TYPES OF AVAILABLE FINISHES.
 3. REMOVE ALL LOOSE BURRS.
 4. MECHANICALLY STAMP OR USE WHITE EPOXY INK FOR PART NUMBER. REVISION LEVEL NOT REQUIRED, BUT MAY BE INCLUDED AT THE FABRICATOR'S DISCRETION.
 5. <-> DENOTES CRITICAL CHARACTERISTIC FOR LOT INSPECTION.
 6. DIMENSIONS ARE INCHES ONLY.

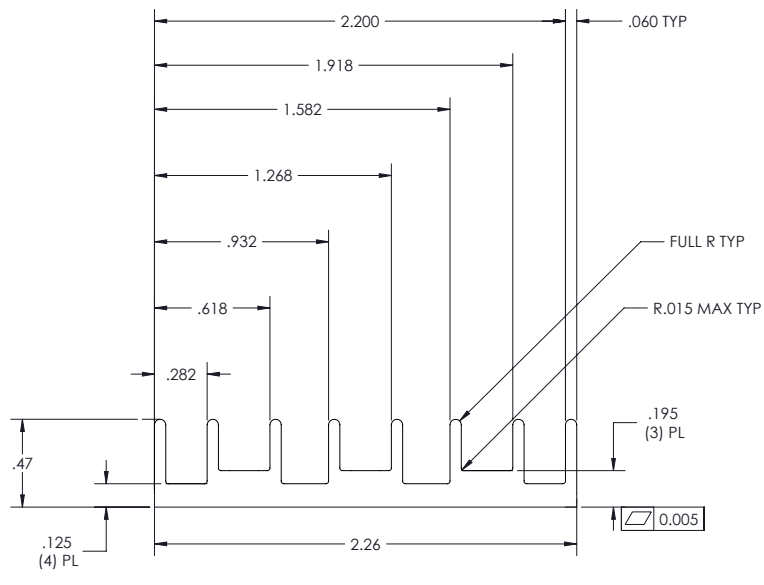


DRAWN BY P. E. IENI	DATE 05/14/2010	SWD	
UNLESS OTHERWISE SPECIFIED DIMENSIONS ARE: INCH / (MM)		HEATSINK XFLOW MINI-MOD .40 HG	
TOLERANCES ARE: DECIMALS ANGLES X.XX (X.X) = ±0.01 (0.25) ±1° X.XXX (X.XXX) = ±0.005 (0.127)		SIZE B	CAGE CODE 67131
THIRD ANGLE PROJECTION 		DWG NO 30140	REV 6
DO NOT SCALE DRAWING		SCALE 1:1	SHEET 1 OF 2

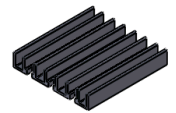
8 7 6 5 4 3 2 1

VICOR CONFIDENTIAL
THIS DOCUMENT AND THE DATA DISCLOSED HEREIN OR HEREIN IS NOT TO BE REPRODUCED, USED OR DISCLOSED IN WHOLE OR IN PART TO ANYONE WITHOUT THE PERMISSION OF VICOR CORP.

REVISIONS			
REV	DESCRIPTION	DATE	APPROVED
	SEE SHEET 1		



PROFILE COMMON FOR
30140



- NOTES:
1. MATERIAL ALUMINIUM: 6063-T5
 2. BREAK ALL EDGES AND SHARP CORNERS.
 3. RoHS COMPLIANT PER CST-0001 LATEST REVISION.
 4. DIMENSIONS ARE INCHES ONLY.

DRAWN BY P. E. IENI	DATE 05/14/2010	SWD	
UNLESS OTHERWISE SPECIFIED DIMENSIONS ARE: INCH / (MM)		HEATSINK XFLOW MINI-MOD .40 HG	
TOLERANCES ARE: DECIMALS ANGLES X.XX (X.X) ±0.01 (0.25) ±1° X.XXX (X.XXX) ±0.005 (0.127)		SIZE B	CAGE CODE 67131
THIRD ANGLE PROJECTION DO NOT SCALE DRAWING		DWG NO 30140	REV 6
		SCALE 2:1	SHEET 2 OF 2

8 7 6 5 4 3 2 1