

## Excellent Integrated System Limited

Stocking Distributor

Click to view price, real time Inventory, Delivery & Lifecycle Information:

[Vicor Corporation](#)  
[30189](#)

For any questions, you can email us directly:

[sales@integrated-circuit.com](mailto:sales@integrated-circuit.com)



# Distributor of Vicor Corporation: Excellent Integrated System Limited

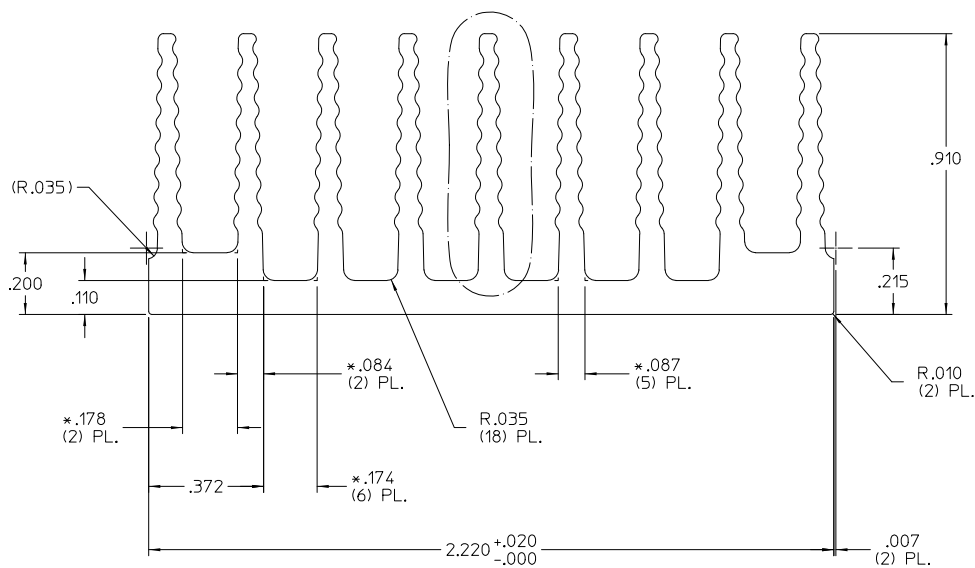
## Datasheet of 30189 - HEATSINK MINI 0.9" THRD/LONG

Contact us: [sales@integrated-circuit.com](mailto:sales@integrated-circuit.com) Website: [www.integrated-circuit.com](http://www.integrated-circuit.com)

**VICOR CONFIDENTIAL**  
THIS DOCUMENT AND THE DATA DISCLOSED  
HEREIN OR HEREWITH IS NOT TO BE REPRODUCED,  
USED, OR DISCLOSED IN WHOLE OR IN PART  
TO ANYONE WITHOUT PERMISSION OF VICOR CORP.

REV.	DESCRIPTION	DATE	APPROVED
	SEE SHEET 1 OF 2		

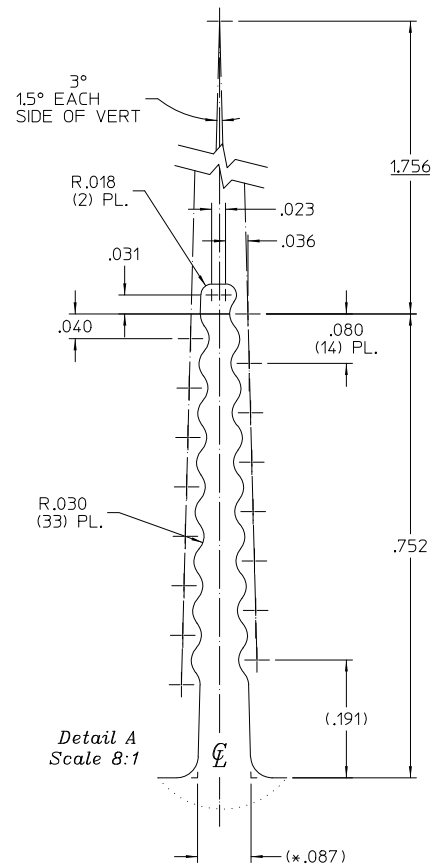
see Detail A



PROFILE COMMON FOR
30123
30181
30189
30182
30188

### NOTES:

- MATL: ALUMINUM 6063-T5
- \* DENOTES DIMENSION TO THEORETICAL SHARP CORNER.
- ALL DIMENSIONS ARE CRITICAL CHARACTERISTICS.
- RoHS COMPLIANT PER CST-0001 LATEST REVISION.
- WORKMANSHIP STANDARDS WS-0004, WS-0006 AND WS-0007 APPLY TO THIS PART.



Detail A  
Scale 8:1

DRAWN BY	DATE	VICOR		
JSARIPPELLA	11/16/08	<b>HS CFG "B" LONG .9H</b> <b>LOW FLOW, THREADED, EXTRUSION</b>		
<small>UNLESS OTHERWISE SPECIFIED DIMENSIONS ARE IN INCHES TOLERANCES ARE: FRACTIONS DECIMALS ANGLES +1/64 .XX .01 .1°</small>				
THIRD ANGLE PROJECTION	SIZE	CAGE CODE	DWG NO	REV
	C	67131	30189	4
DO NOT SCALE DRAWING	SCALE	4:1	SHEET 2 OF 2	



Distributor of Vicor Corporation: Excellent Integrated System Limited

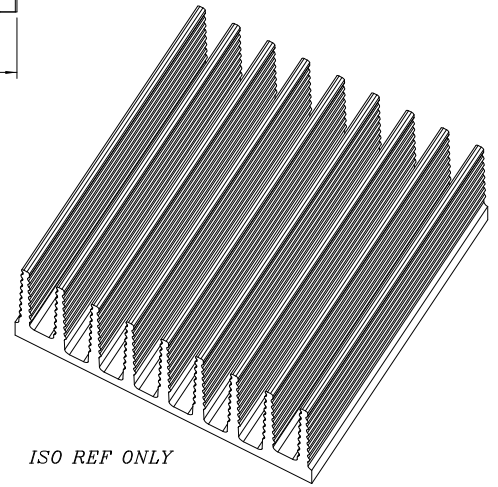
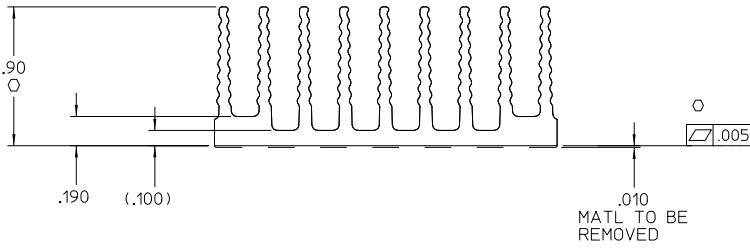
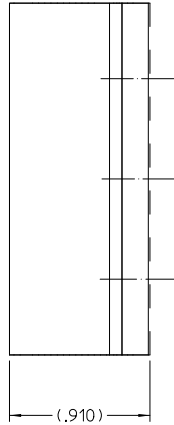
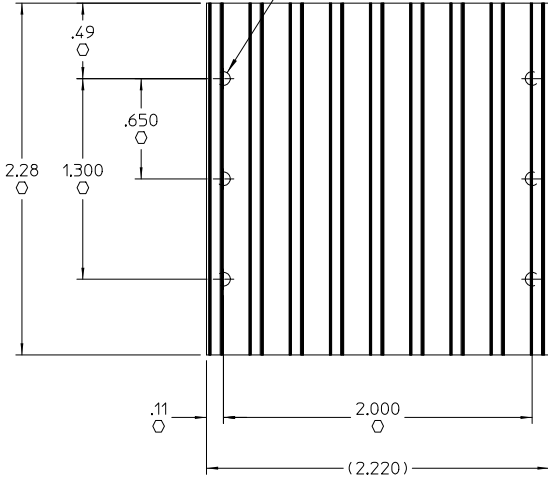
Datasheet of 30189 - HEATSINK MINI 0.9" THRD/LONG

Contact us: sales@integrated-circuit.com Website: www.integrated-circuit.com

VICOR CONFIDENTIAL  
 THIS DOCUMENT AND THE DATA DISCLOSED  
 HEREIN OR HEREWITH IS NOT TO BE REPRODUCED,  
 USED, OR DISCLOSED IN WHOLE OR IN PART  
 TO ANYONE WITHOUT PERMISSION OF VICOR CORP.

REV.	DESCRIPTION	DATE	APPROVED
1	RELEASED PER E050350	LEK 11/16/05	EF
2	RELEASED PER E072386	JS 10/02/07	REJH
3	RELEASED PER E090033	AR 01/09/09	REJH
4	REVISED PER E092035	JS 11/16/09	REJH

Ø  
 #4-40 UNC-2B COLD FORM TAP  
 .140 DP MIN. FROM FAR SIDE  
 DO NOT BREAK THRU  
 (6) PL.



NOTES

1. MATERIAL: EXTRUSION SEE SHEET 2 OF 2.
2. REMOVE ALL BURRS AND SHARP EDGES.
3. CLEAR FINISH, RoHS COMPLIANT, CHROMIUM FREE PER CST-0001 LATEST REVISION.
4. 'Ø' DENOTES CRITICAL CHARACTERISTIC FOR LOT INSPECTION.

DRAWN BY P.E.IBNJ	DATE 06/28/05		
UNLESS OTHERWISE SPECIFIED DIMENSIONS ARE IN INCHES TOLERANCES ARE: XXX +.001 XXXX - .0005 ANGLES °R		<b>HS CFG "B" LONG .9H LOW FLOW, THREADED</b>	
THIRD ANGLE PROJECTION	SIZE C	CAGE CODE 67131	DWG NO 30189
DO NOT SCALE DRAWING	SCALE 2:1	REV 4 SHEET 1 OF 2	