

Excellent Integrated System Limited

Stocking Distributor

Click to view price, real time Inventory, Delivery & Lifecycle Information:

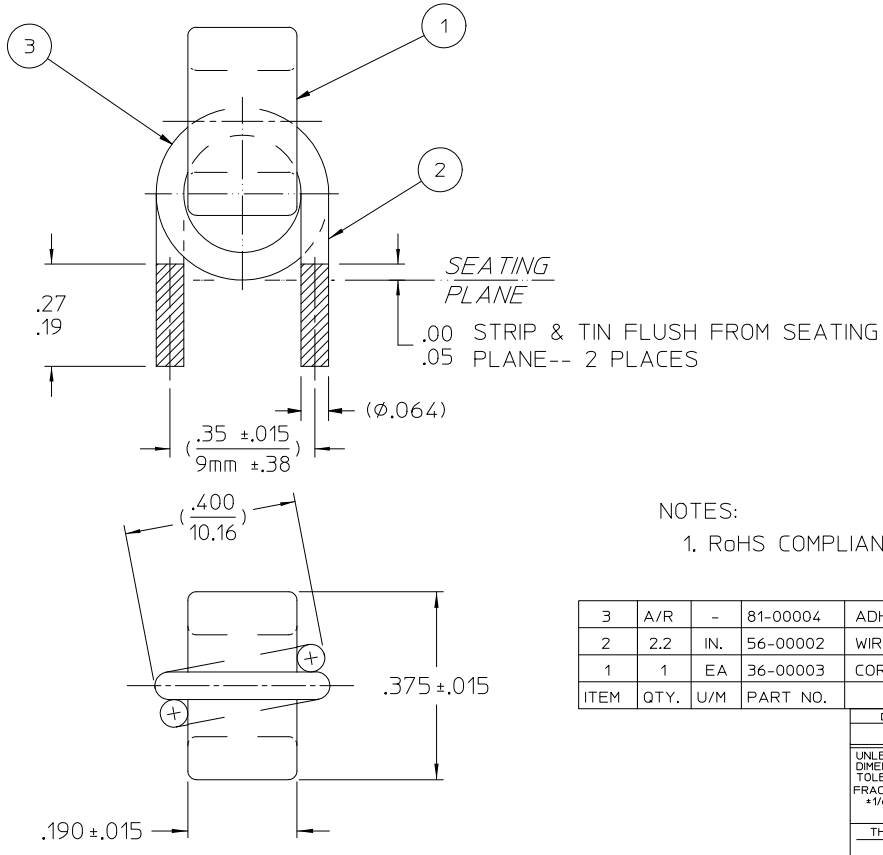
[Vicor Corporation](#)
[30268](#)

For any questions, you can email us directly:

sales@integrated-circuit.com

VICOR CONFIDENTIAL
THIS DOCUMENT AND THE DATA DISCLOSED HEREIN OR HERewith IS NOT TO BE REPRODUCED, USED, OR DISCLOSED IN WHOLE OR IN PART TO ANYONE WITHOUT PERMISSION OF VICOR CORP.

REV.	DESCRIPTION	DATE	APPROVED
1	RELEASED PER ECO Request E064424 RE:JH	08/16/06	MB



NOTES:
1. RoHS COMPLIANT, LEAD FREE PER CST-0001 LATEST REVISION.

ITEM	QTY.	U/M	PART NO.	DESCRIPTION	MAT'L. SPEC.
3	A/R	-	81-00004	ADHESIVE, SICOMET 7000 AND / OR LOCTITE	38240
2	2.2	IN.	56-00002	WIRE, COPPER, SOLID. #14AWG, MAGNET	
1	1	EA	36-00003	CORE, .2UH, OUTPUT	MICROMETALS-T38-26

DRAWN BY P.E.IBNI		DATE 08/15/05		<p>INDUCTOR ASSY OUTPUT, .2 uH</p>	
<small>UNLESS OTHERWISE SPECIFIED DIMENSIONS ARE IN INCHES- TOLERANCES ARE: FRACTIONS DECIMALS ANGLES</small> <small>1/64 .XX=+.03 +9°</small> <small>.XXX=+.010</small>					
<small>DO NOT SCALE DRAWING</small>		<small>FSCM NO.</small> 67131	<small>DWG NO</small> 30268	<small>REV</small> 1	<small>SHEET 1 OF 1</small>