



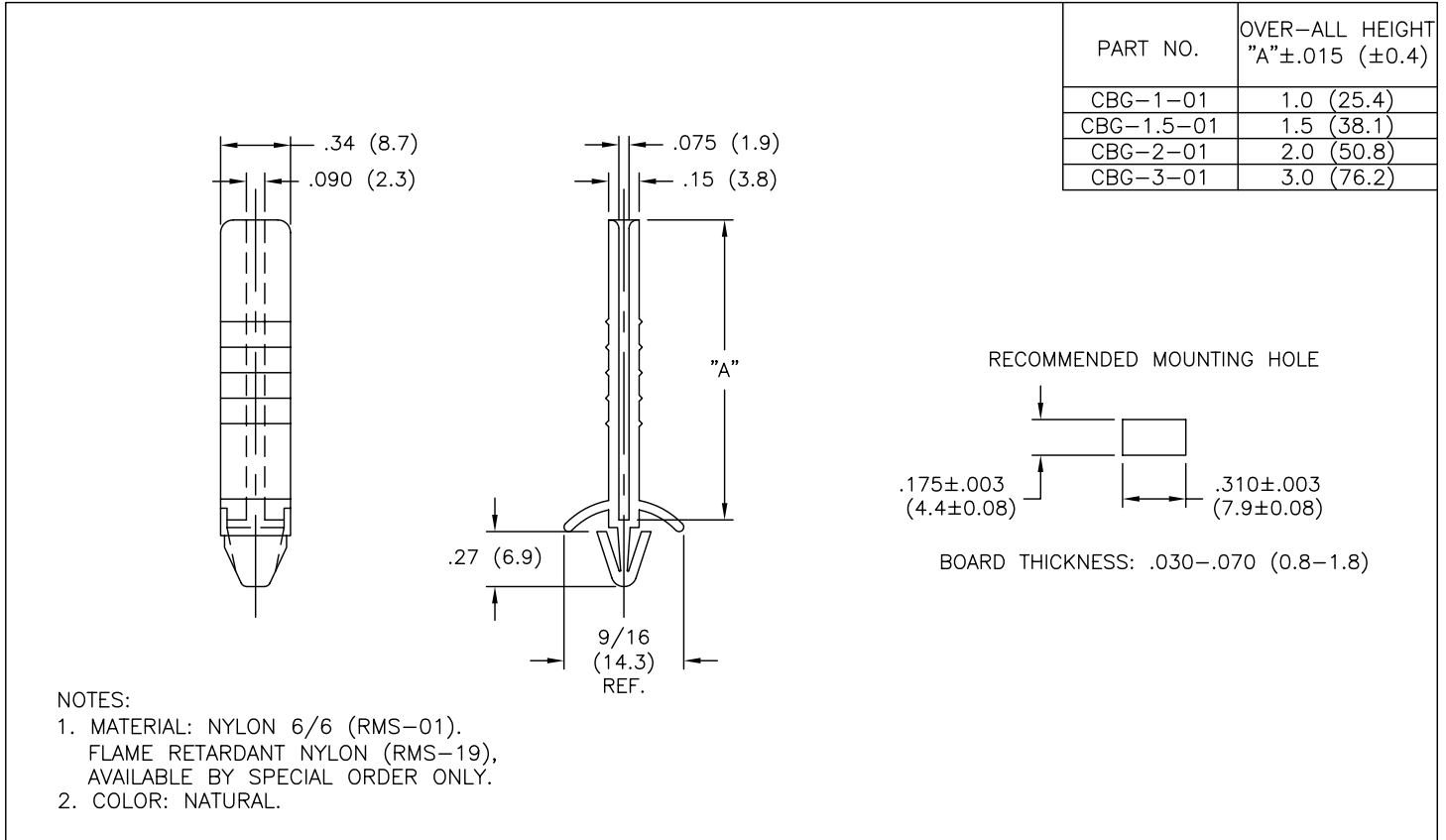
Excellent Integrated System Limited

Stocking Distributor

Click to view price, real time Inventory, Delivery & Lifecycle Information:

[Essentra Components \(formerly Richco, Inc.\)](#)
[CBG-1-01](#)

For any questions, you can email us directly:
sales@integrated-circuit.com



TITLE: CIRCUIT BOARD GUIDES			DWG IN IN (MM)		FINAL	
E	UPDATED PRINT, DIM .27 WAS .25	SM 12.03.01	FILE #	CBG	DWN: P.B.	APP:
D	CHANGED FRACTIONAL DIM. TO DECIMAL,	SM 05.11.01	MAT'L:	SEE NOTES	DT: 02-01-95	DT:
C	ADDED TOLERANCE ±.003	SM 02.21.01	RE:	RICHCO, INC.	PART #	
B	MAT'L RMS-19 ADDED	J.L. 12.18.97	RICHCO INC.		SEE TABLE	
A	CONVERTED TO ACAD	PB 02.01.95	PO BOX 804238, CHICAGO, 60680		PRINT TYPE	
REV	DESCRIPTION	ENGR DATE	(773) 539-4060		CA	